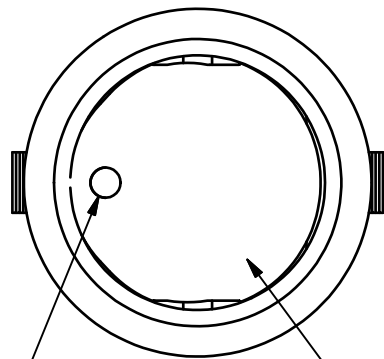


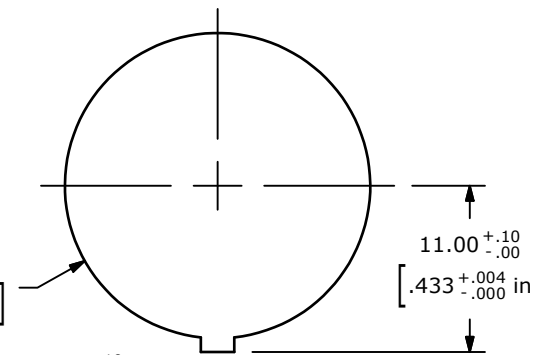
▲ SWITCH FUNCTION		
POS. 1	POS. 2	POS. 3
ON	OFF	ON
2-1	OPEN	2-3



▲ "A" DOT MARKING
WHITE

R20.20 $\begin{smallmatrix} +.10 \\ -.00 \end{smallmatrix}$
[.795 $\begin{smallmatrix} +.004 \\ -.000 \end{smallmatrix}$ in]

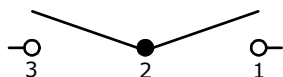
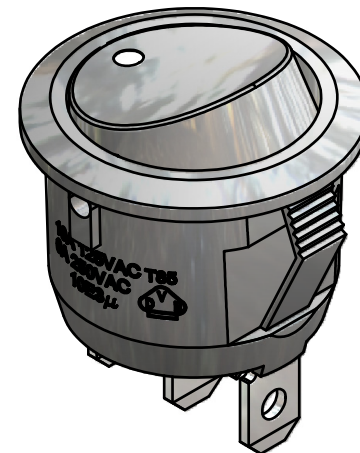
▲ ACTUATOR COLOR:
BLACK



2.20 $\begin{smallmatrix} +.10 \\ -.00 \end{smallmatrix}$
[.087 $\begin{smallmatrix} +.004 \\ -.000 \end{smallmatrix}$ in]

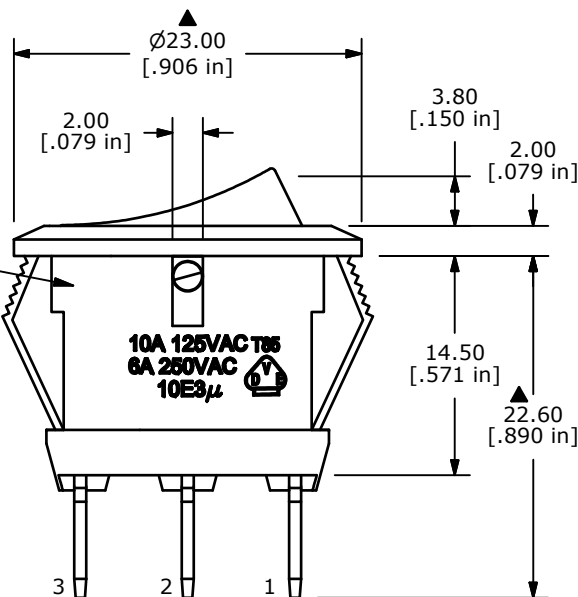
11.00 $\begin{smallmatrix} +.10 \\ -.00 \end{smallmatrix}$
[.433 $\begin{smallmatrix} +.004 \\ -.000 \end{smallmatrix}$ in]

RECOMMENDED PANEL MOUNTING



CIRCUIT: SPDT

▲ HOUSING COLOR:
BLACK



Ø23.00
[.906 in]

2.00
[.079 in]

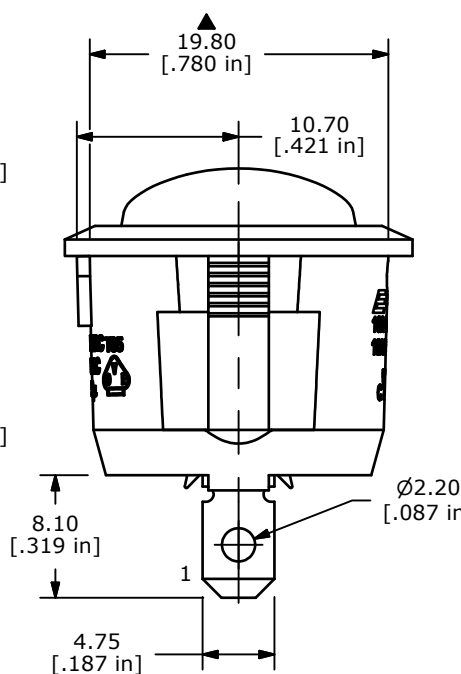
3.80
[.150 in]

2.00
[.079 in]

14.50
[.571 in]

22.60
[.890 in]

3 2 1



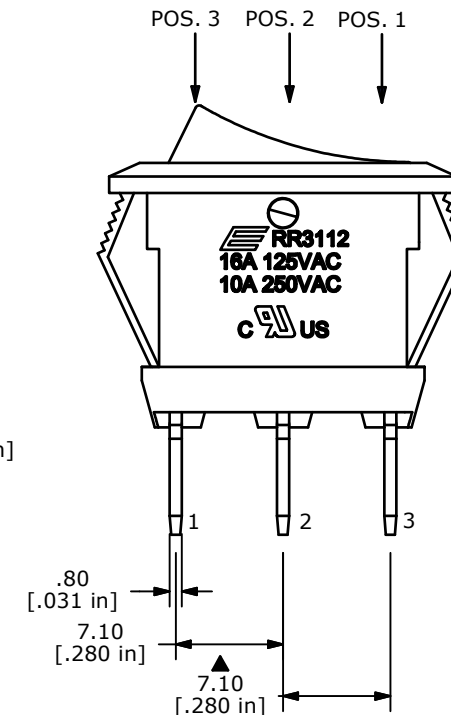
19.80
[.780 in]

10.70
[.421 in]

8.10
[.319 in]

Ø2.20
[.087 in]

4.75
[.187 in]



POS. 3 POS. 2 POS. 1

.80
[.031 in]

7.10
[.280 in]

7.10
[.280 in]

- NOTES:
1. ALL DIMENSIONS IN MM [INCH]
 2. GENERAL TOLERANCE: x.x=±0.4
x.xx=±0.25
 3. TERM. NOS. FOR REF. ONLY
 - ▲ 4. RATING: 10A 250VAC
16A 125VAC
 5. CONTACT RESISTANCE: 50mOHM MAX.
 6. INSULATION RESISTANCE: DC 500V 100M OHM MIN.
 7. DIELECTRIC STRENGTH: AC 1500V 1 MIN
 8. OPERATING TEMPERATURE: 0°C to 65°C
 9. ▲ DENOTE CRITICAL PARAMETER
 10. 2002/95/EC (ROHS) COMPLIANT.

TITLE RR3112DBLKBLKNAF0				
SCALE	DATE	DR	DWG	REV
2:1	8/9/2011	BGL	F130431	A

A	20083	RELEASE FOR PRODUCTION	8/9/11	BGL
REV	PCR NO	DESCRIPTION	DATE	BY
THE INFORMATION CONTAINED IN THIS DOCUMENT IS PROPRIETARY TO E-SWITCH AND IS NOT TO BE COPIED OR TRANSFERRED				