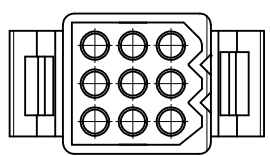
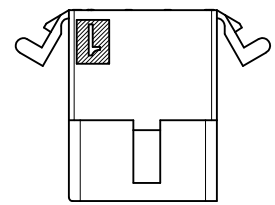
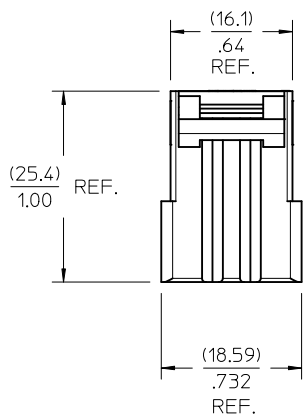
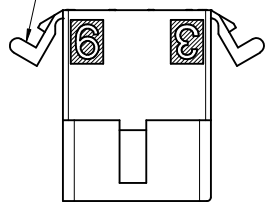


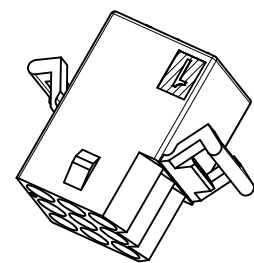
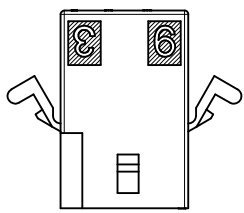
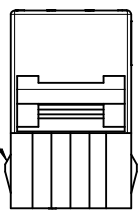
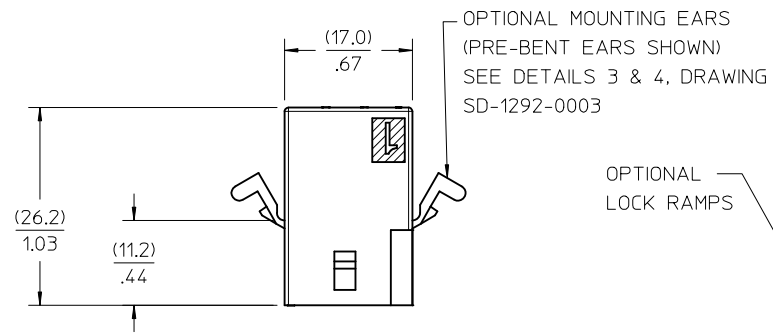
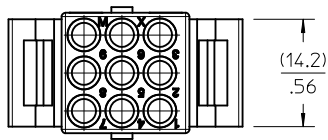
OPTIONAL PLUG

(PLUG SHOWN WITH PREBENT EARS)
FOR ALL OTHER DIMENSIONS AND SPECS.
SEE STANDARD PLUG DRAWING SD-1292-0001.

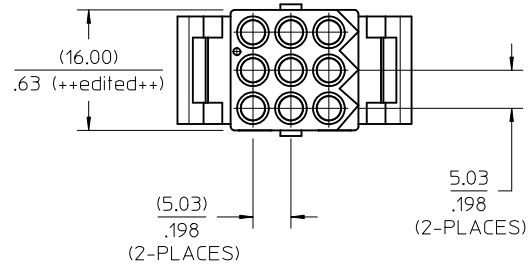
MOUNTING EARS OPTIONAL
(PREBENT EAR ONLY)
SEE DETAIL 4 ON
DRAWING SD-1292-0003



REDRAWN EC NO: UCP2010-2311 DRWNG: CSTEWARD 2011/07/21 CHKD: APPR: FSMITH 2011/09/12	QUALITY SYMBOLS 	GENERAL TOLERANCES (UNLESS SPECIFIED)		DIMENSION STYLE MM/IN	SCALE 2:1	DESIGN UNITS METRIC	THIRD ANGLE PROJECTION		
		4 PLACES ± --- ± .010 3 PLACES ± --- ± .014 2 PLACES ± 0.25 ± --- 1 PLACE ± 0.35 ± ---	mm INCH	DRAWN BY CSTEWARD	DATE 2011/07/21	TITLE .093/(2.36) HOUSING, OPTIONAL PLUG, 9 CKT., 198/(5.03) CTRS.			
		ANGULAR ± 1/2°		APPROVED BY FSMITH	DATE 2011/09/12	MOLEX INCORPORATED			
		DRAFT WHERE APPLICABLE MUST REMAIN WITHIN DIMENSIONS		MATERIAL NO. SEE DWG. SD-1292-0003	DOCUMENT NO. SD-1292-0002	SHEET NO. 1 OF 1			



RECEPTACLE
(SHOWN WITH PREBENT MOUNTING EARS & LOCK RAMP)



REDRAWN EC NO: UCP2010-2311 DRW: CSTEWARD 2011/07/21 CHKD: APPR: FSMITH 2011/09/12	QUALITY SYMBOLS	GENERAL TOLERANCES (UNLESS SPECIFIED)	DIMENSION STYLE	SCALE	DESIGN UNITS	THIRD ANGLE PROJECTION
	▽=0	mm INCH	MM/IN	2:1	METRIC	
	▽=0	4 PLACES ± --- ± .010	DRAWN BY DATE	TITLE		
	▽=0	3 PLACES ± --- ± .014	CSTEWARD 2011/07/21	.093/(2.36) HOUSING RECEPTACLE, 9 CIRCUIT, .198/(5.03) CENTERS		
		2 PLACES ± 0.25 ± ---	CHECKED BY DATE	MOLEX MOLEX INCORPORATED		
		1 PLACE ± 0.35 ± ---	APPROVED BY DATE	SD-1292-0003		
		ANGULAR ± 1/2°	FSMITH 2011/09/12	SHEET NO. 1 OF 2		
		DRAFT WHERE APPLICABLE MUST REMAIN WITHIN DIMENSIONS	MATERIAL NO.	DOCUMENT NO.		
			SEE CHART, SHEET 2	THIS DRAWING CONTAINS INFORMATION THAT IS PROPRIETARY TO MOLEX INCORPORATED AND SHOULD NOT BE USED WITHOUT WRITTEN PERMISSION		

PLUG	
PART NO.	ENG. NO.
03-09-2091	1292-P
03-09-2092	1292-P1
03-09-7091	1292-PBK
03-09-7092	1292-P1BK
NOT TOOLED	1292-P2
27-09-2092	1292-P1-A

RECEPTACLE	
PART NO.	ENG. NO.
03-09-1091	1292-R
03-09-1092	1292-R1
03-09-6091	1292-RBK
03-09-6092	1292-R1BK
03-09-1093	1292-R2
03-09-6093	1292-R2BK
03-09-1094	1292-R3
03-09-6094	1292-R3BK
27-09-1093	1292-R2-A

LEGEND: PLUG

1292-P * * * - *

P = PLUG

BLANK = OPT. PLUG WITH PREBENT EARS
 1 = STD. PLUG WITHOUT PREBENT EARS
 2 = STD. PLUG WITH PREBENT EARS & RIBS

COLOR: BLANK=NATURAL COLOR
 AM=AMBER BK=BLACK BU=BLUE
 BN=BROWN GY=GRAY GN=GREEN
 OR=ORANGE RD=RED YW=YELLOW

MATERIAL: BLANK = NYLON 6/6, U.L. 94V-2
 A = NYLON 6/6, U.L. 94V-0

LEGEND: RECEPTACLE

1292-R * * * - *

R = RECEPTACLE

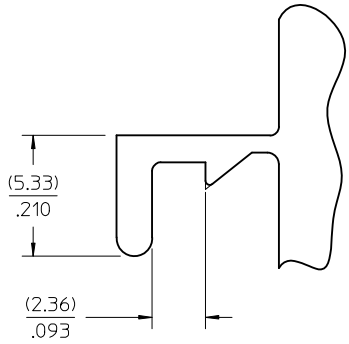
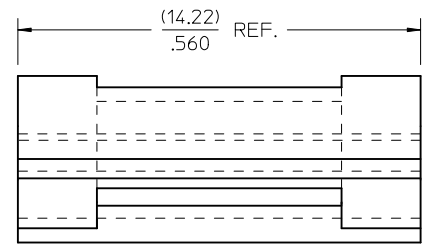
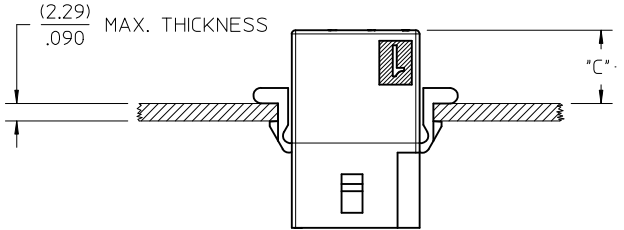
BLANK = WITH PREBENT EARS, WITH LOCK RAMP
 1 = WITH PREBENT EARS, WITHOUT LOCK RAMP
 2 = WITHOUT EARS, WITHOUT LOCK RAMP
 3 = WITHOUT EARS, WITH LOCK RAMP

COLOR: BLANK=NATURAL COLOR
 AM=AMBER BK=BLACK BU=BLUE
 BN=BROWN GY=GRAY GN=GREEN
 OR=ORANGE RD=RED YW=YELLOW

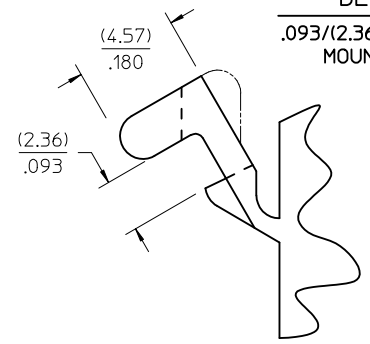
MATERIAL: BLANK = NYLON 6/6, U.L. 94V-2
 A = NYLON 6/6, U.L. 94V-0

HOUSING	DIM. "A"	DIM. "B"	DIM. "C" (STD. EAR)	DIM. "C" (PREBENT)
STD. PLUG	.930/(23.62)	.760/(19.30)	N/A	.39/(9.9)
OPT. PLUG	.937/(23.80)	.660/(16.76)	.13/(3.3)	N/A
RECEPTACLE	.828/(21.03)	.725/(18.42)	.37/(9.4)	.41/(10.4)

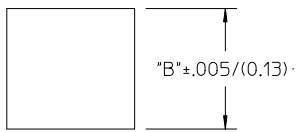
- NOTES:
 1. THESE PARTS COMPLY WITH MOLEX PRODUCT SPEC. 02-09.
 2. HOUSINGS FOR USE WITH MOLEX .093/(2.36) PIN AND SOCKET TERMINALS.
 3. RIBS ARE PRESENT ONLY ON STANDARD PLUG WITH PREBENT MOUNTING EARS.
 FOR PLUG HOUSINGS REQUIRING MOUNTING EARS, ONLY PREBENT STYLE IS AVAILABLE.



DETAIL 3
 .093/(2.36) STANDARD MOUNTING EAR

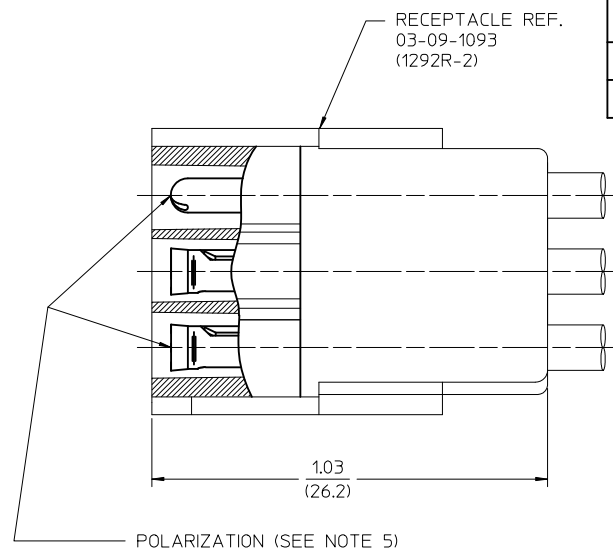
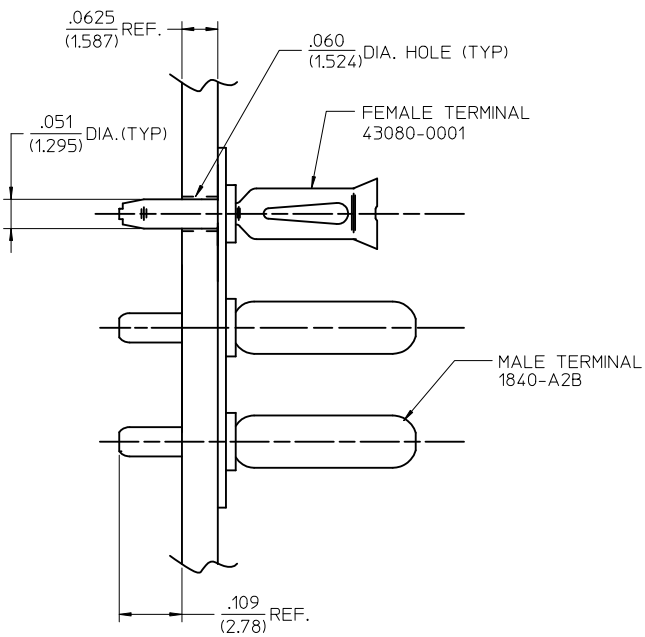


DETAIL 4
 .093/(2.36) PREBENT MOUNTING EAR

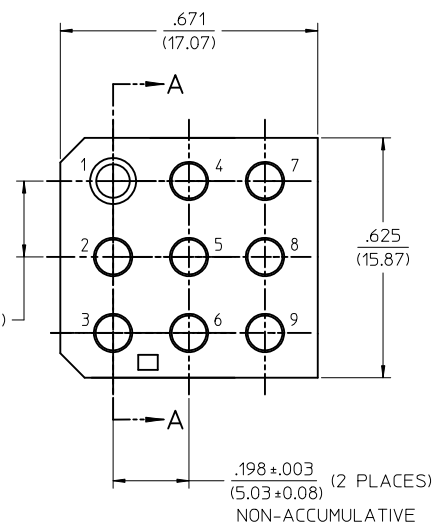
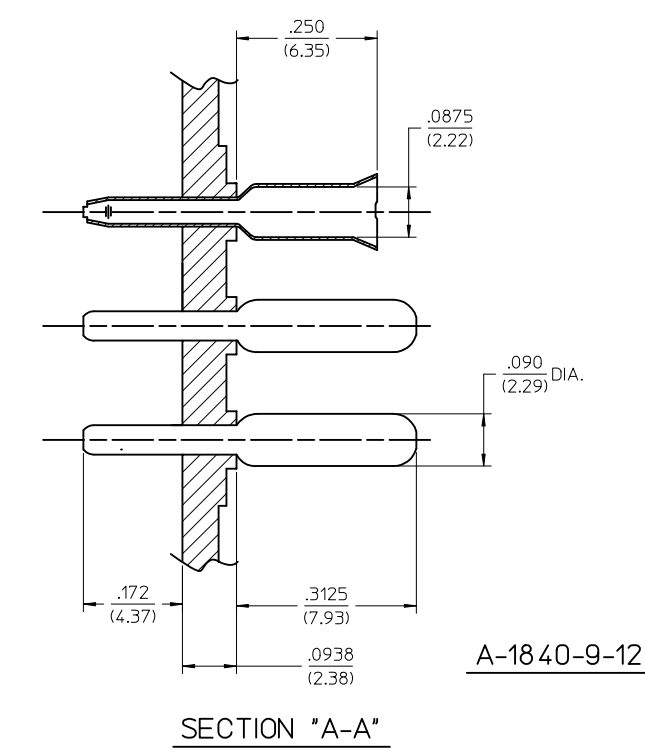


DETAIL 5
 PANEL CUT VIEW
 OPTIONAL PLUG WITH PREBENT EARS SHOWN

REDRAWN EC NO: UCP2010-2311 DRAWN: STEWART 2011/07/21 CHKD: APPR: FSMITH 2011/09/12	QUALITY SYMBOLS ∇=0 ∇=0 ∇=0	GENERAL TOLERANCES (UNLESS SPECIFIED)		DIMENSION STYLE MM/IN	SCALE 6:1	DESIGN UNITS METRIC	THIRD ANGLE PROJECTION		
		4 PLACES ± --- ±.010 3 PLACES ± --- ±.014 2 PLACES ± 0.25 ± --- 1 PLACE ± 0.35 ± ---	mm INCH	DRAWN BY C STEWART	DATE 2011/07/21	TITLE .093/(2.36) HOUSING RECEPTACLE, 9 CIRCUIT, .198/(5.03) CENTERS			
		ANGULAR ± 1/2°		APPROVED BY FSMITH	DATE 2011/09/12	MOLEX INCORPORATED			
		DRAFT WHERE APPLICABLE MUST REMAIN WITHIN DIMENSIONS		SEE CHART		MATERIAL NO. SD-1292-0003	DOCUMENT NO.	SHEET NO. 2 OF 2	



PART NO.	ENG. NO.	TERMINAL PATTERN								
		1	2	3	4	5	6	7	8	9
09-18-5094	A-1840-9-12	F	M	M	M	M	M	M	M	M
09-18-5098	A-1840-9-5	F	M	M	M	M	M	F	M	M



- NOTES:
- MATERIAL:
BASE AND RECEPTACLE: NYLON PA66, UL94V-0, COLOR: NATURAL
TERMINALS: MALE - BRASS ALLOY
FEMALE - PHOSPHOR BRONZE ALLOY
 - FINISH:
MALE TERMINALS: .000200/0.00508 MIN. TIN OVER
.000100/0.00254 MIN. COPPER
FEMALE TERMINALS: .000050/0.00127 MIN. TIN OVER
.000050/0.00127 MIN. NICKEL
 - PRODUCT SPECIFICATION: N/A
 - PACKAGING SPECIFICATION: N/A
 - POLARIZATION ACCOMPLISHED THROUGH AN INTER-MIX OF MALE AND FEMALE TERMINALS. (MOLEX .093 TERMINALS)
 - TERMINAL PATTERN CODE:
A) M = MALE TERMINALS
B) F = FEMALE TERMINALS
C) B = NO TERMINALS
 - PARTS TO BE MOUNTED ON SUPPORTED EDGE OF P.C. BOARD.

SCALE: 4:1

A-1840-9-12 SHOWN

REDRW/REV PT NO'S EC NO: UCP2004-2212 DRWNRHOLTS 2004/05/03 CHKD:FSMITH APPR:FSMITH 2011/09/14 DESCRIPTION	QUALITY SYMBOLS	GENERAL TOLERANCES (UNLESS SPECIFIED)	DIMENSION STYLE	SCALE	DESIGN UNITS	THIRD ANGLE PROJECTION
	$\nabla = 0$ $\nabla = 0$ $\nabla = 0$	mm INCH 4 PLACES ± --- ± --- 3 PLACES ± --- ± .005 2 PLACES ± 0.13 ± .010 1 PLACE ± 0.25 ± --- ANGULAR ± 1/2°	IN/MM	6:1	INCH	
	DRAFT WHERE APPLICABLE MUST REMAIN WITHIN DIMENSIONS	DRAWN BY DATE EWC 1974/04/30 CHECKED BY DATE APPROVED BY DATE FSMITH 2011/09/14	TITLE CONNECTOR PC BOARD WAFERCON 9 CIRCUIT			
	MATERIAL NO. SEE CHART SIZE C	MOLEX INCORPORATED SDA-1840-9-* SHEET NO. 1 OF 1				