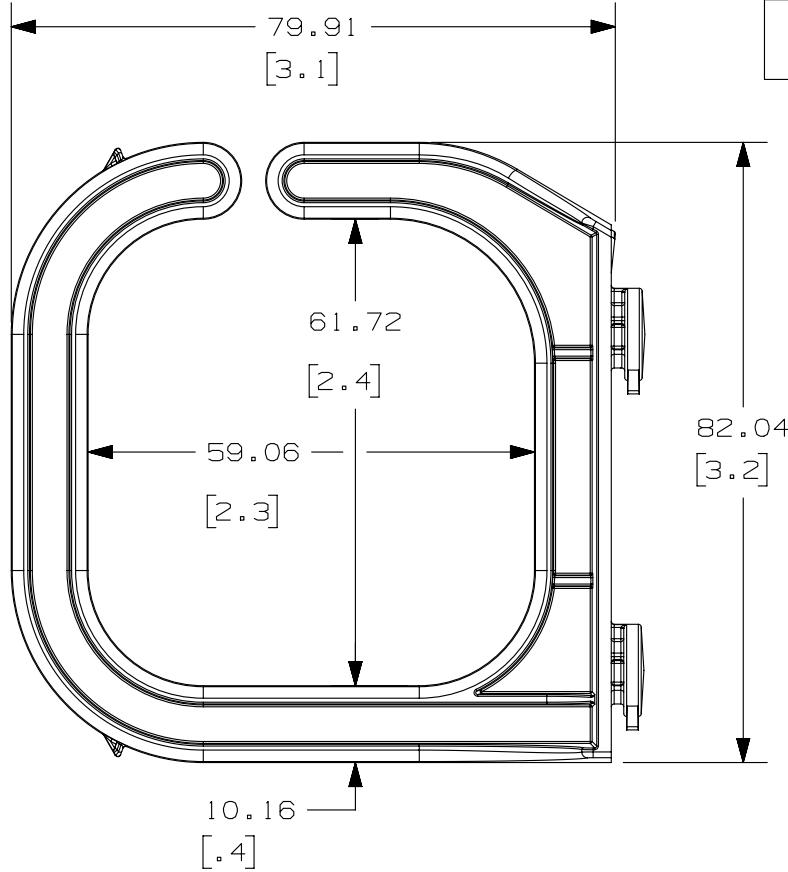
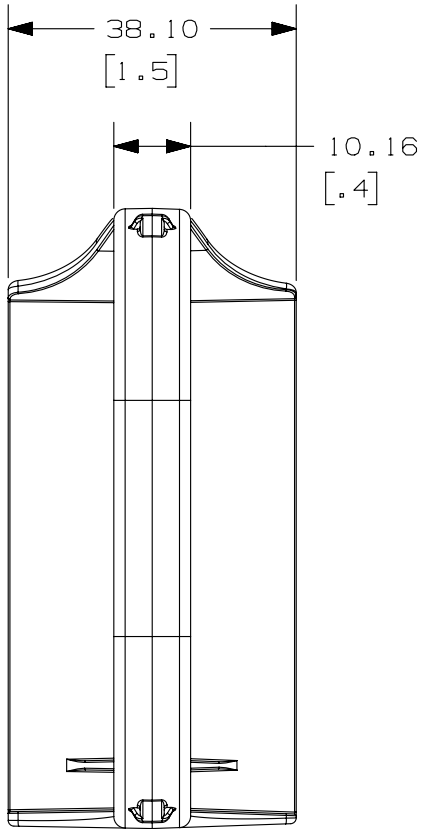
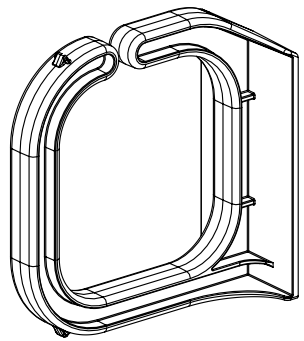


THIS COPY IS PROVIDED ON A RESTRICTED BASIS AND IS NOT TO BE USED IN ANY WAY DETRIMENTAL TO THE INTERESTS OF PANDUIT CORP.



PANDUIT P/N	WEIGHT
S2DR	181.44 Kg/EACH 0.40 LBS/EACH

- NOTES:
- VISIT OUR ON-LINE CATALOG AT [WWW.PANDUIT.COM](http://WWW.PANDUIT.COM) FOR A LIST OF CURRENT PARTS APPLICABLE FOR USE WITH THIS PRODUCT.
  - PRIMARY DIMENSIONS ARE IN MILLIMETERS (mm).
  - PARTS SUPPLIED:  
(8) - CMDRH2 D-RING  
(1) - INSTRUCTION SHEET
  - COMPATIBLE WITH S2BRK12 AND S2BRK6.



OOA	7-11-13	PBS	RCHA	JDWE	RELEASED TO PRODUCTION				12V343ZK-DC
REV	DATE	BY	CHK	APR	DESCRIPTION				ECN

TITLE				S2DR D-RING KIT			
CUSTOMER DRAWING							
ITEM REVISION NAME				12V343ZK/00.PRT			
DATASET FILE NAME				12V343ZK_DC/00A.PRT			
UNLESS OTHERWISE SPECIFIED, DIMENSIONAL TOLERANCES ARE:				MATERIAL/COLOR:			
INCHES	+/- 0.03	METRIC - MILLIMETER	X.	+/- 0.8	ANGLE		
X.XX	+/- 0.018	X.X	+/- 0.46	+/- 1°			
X.XXX	+/- 0.007	X.XX	+/- 0.18				
DRAWING NUMBER:				12V343ZK - DC			
DRAWN BY		DATE		CHK		SCALE	
PBS		7-11-13		RCHA		NONE	
THIRD ANGLE PROJECTION							
SHT 1 OF 1				SIZE			
				A			