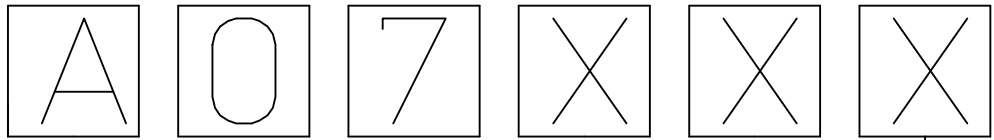


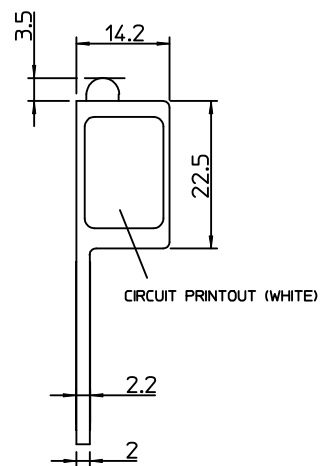
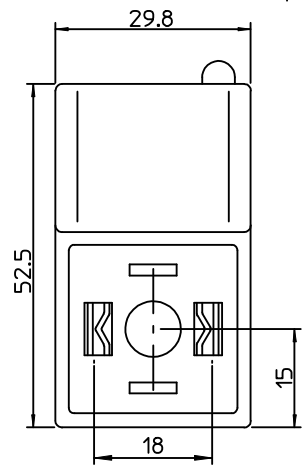
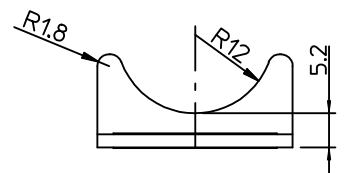
10 9 8 7 6 5 4 3 2 1



INTERNAL CIRCUIT
WIRING CONFIGURATION
VOLTAGE AND LED COLOUR:

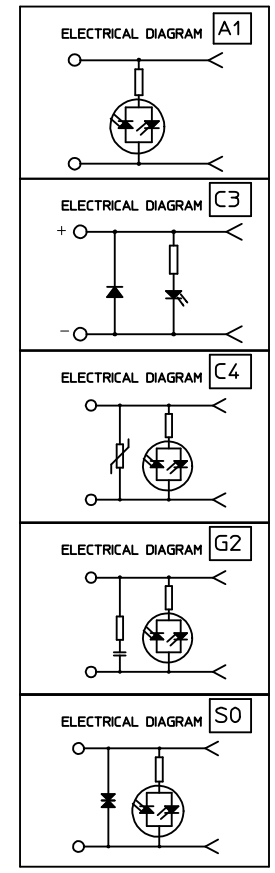
1= 12V	A= 12V	G= 12V
2= 24V	B= 24V	H= 24V
3= 48V	C= 48V	K= 48V
4= 115V	D= 115V	L= 115V
5= 230V	E= 230V	M= 230V

RED LED GREEN LED YELLOW LED



MOLEX PN	MPM PN
1210010247	A07A1H
1210010255	A07C3H
1210010257	A07C42
1210010258	A07C43
1210010259	A07C44
1210010262	A07C4H
1210010403	A07G2H
1210010417	A07G2L
1210010249	A07A1M
1210010266	A07G22

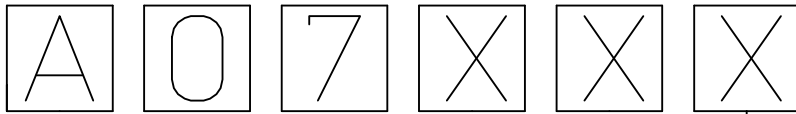
WIRING CONFIGURATION



ORIGINAL RELEASE EC NO: WEU2009-0419 DRWN: MWOLSZCZAK 2009/05/20 CHKD: MDABROWSKA 2009/05/20 APPR: GOGRODNIK 2009/05/20	QUALITY SYMBOLS	GENERAL TOLERANCES (UNLESS SPECIFIED)	DIMENSION STYLE	SCALE	DESIGN UNITS	FIRST ANGLE PROJECTION
	▽=0 ◻=0	mm INCH 4 PLACES ± --- ± --- 3 PLACES ± --- ± --- 2 PLACES ± --- ± --- 1 PLACE ± --- ± --- ANGULAR ± ---°	MM ONLY	---	METRIC	
	DESCRIPTION	DRAFT WHERE APPLICABLE MUST REMAIN WITHIN DIMENSIONS	DRAWN BY DATE	TITLE		
	REV		MLEVYTSKYY 2009/05/05	MPM A07 ADAPTORS		
	A		CHECKED BY DATE	MOLEX INCORPORATED		
		MDABROWSKA 2009/05/05	DOCUMENT NO.			
		APPROVED BY DATE	SHEET NO.			
		MWOLSZCZAK 2009/05/05	1 OF 1			
		MATERIAL NO.	A07XXX			
		SIZE	THIS DRAWING CONTAINS INFORMATION THAT IS PROPRIETARY TO MOLEX INCORPORATED AND SHOULD NOT BE USED WITHOUT WRITTEN PERMISSION			
		A3				

9 8 7 6 5 4 3 2 1

A07 - ADAPTOR FOR DIN A



INTERNAL CIRCUIT

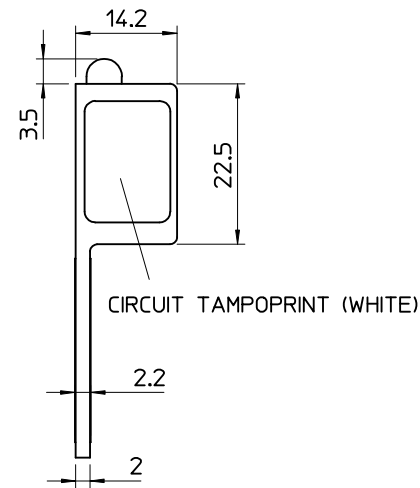
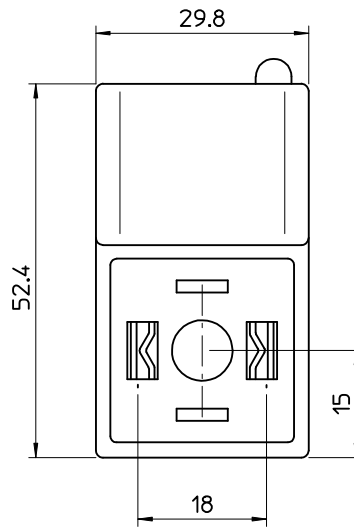
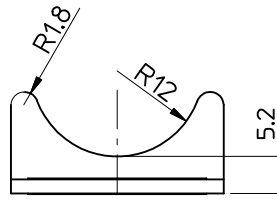
VOLTAGE AND LED COLOUR:

1= 12V	A= 12V	G= 12V
2= 24V	B= 24V	H= 24V
3= 48V	C= 48V	K= 48V
4= 115V	D= 115V	L= 115V
5= 230V	E= 230V	M= 230V

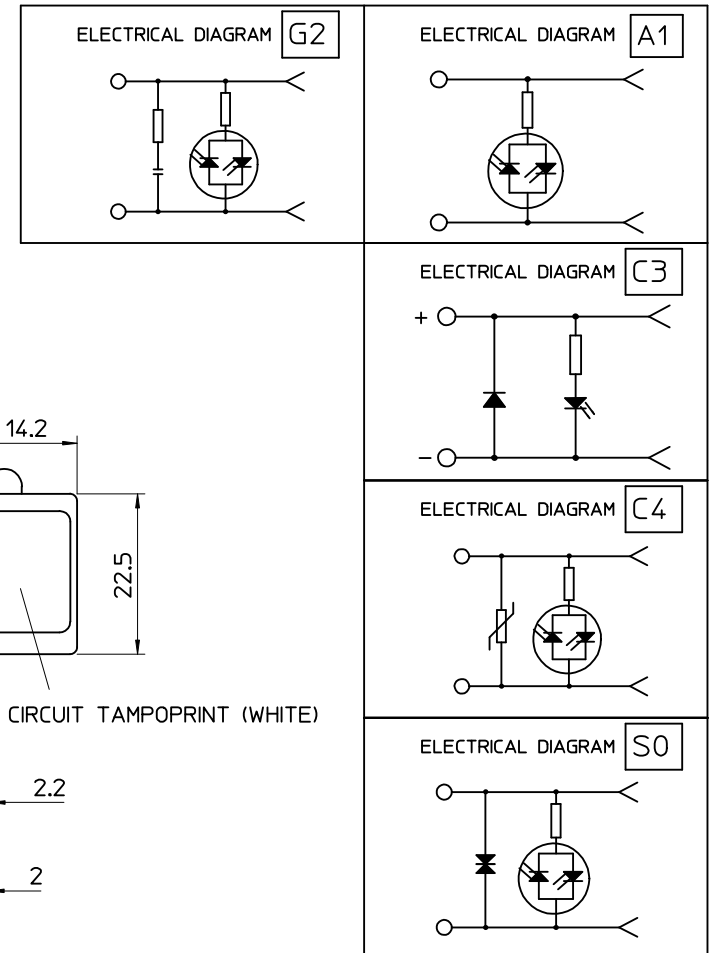
RED LED GREEN LED YELLOW LED

Chart 1

Engineering no.	SAP Part Number	Circuit type	LED Color
A07A1H	1210010247	A1 24V	Yellow
A07A1M	1210010249	A1 230V	Yellow
A07C3H	1210010255	C3 24V	Yellow
A07C42	1210010257	C4 24V	Red
A07C43	1210010258	C4 48V	Red
A07C44	1210010259	C4 115V	Red
A07C45	1210010260	C4 230V	Red
A07C4H	1210010262	C4 24V	Yellow
A07C4L	1210010263	C4 115V	Yellow
A07C4M	1210010264	C4 230V	Yellow
A07G22	1210010266	G2 24V	Red
A07G2H	1210010403	G2 24V	Yellow
A07G2L	1210010417	G2 115V	Yellow
A07G2M	1210010270	G2 230V	Yellow
A07S0H	1210010416	S0 24V	Yellow



Wiring configuration



ORIGINAL RELEASE EC NO: IPG2013-1225 DRWN: JMARSZALEK 2013/02/11 CHKD: MSZWAJKOWSKI 2013/02/11 APPR: MIWASIECZKO 2013/02/12	QUALITY SYMBOLS ▽=0 ◻=0	GENERAL TOLERANCES (UNLESS SPECIFIED)		DIMENSION STYLE MM ONLY		SCALE -	DESIGN UNITS METRIC	FIRST ANGLE PROJECTION
				DRAWN BY DATE JMARSZALEK 2013/02/11		TITLE LIGHTS ADAPTORS SERIES A07XXX FOR DIN A molex DOCUMENT NO. SD-121001-007 SHEET NO. 1 OF 1		
				CHECKED BY DATE MSZWAJKOWSKI 2013/02/11				
				APPROVED BY DATE MIWASIECZKO 2013/02/12				
ANGULAR ±---°		MATERIAL NO.						
A	REV	DRAFT WHERE APPLICABLE MUST REMAIN WITHIN DIMENSIONS		SEE CHART 1				