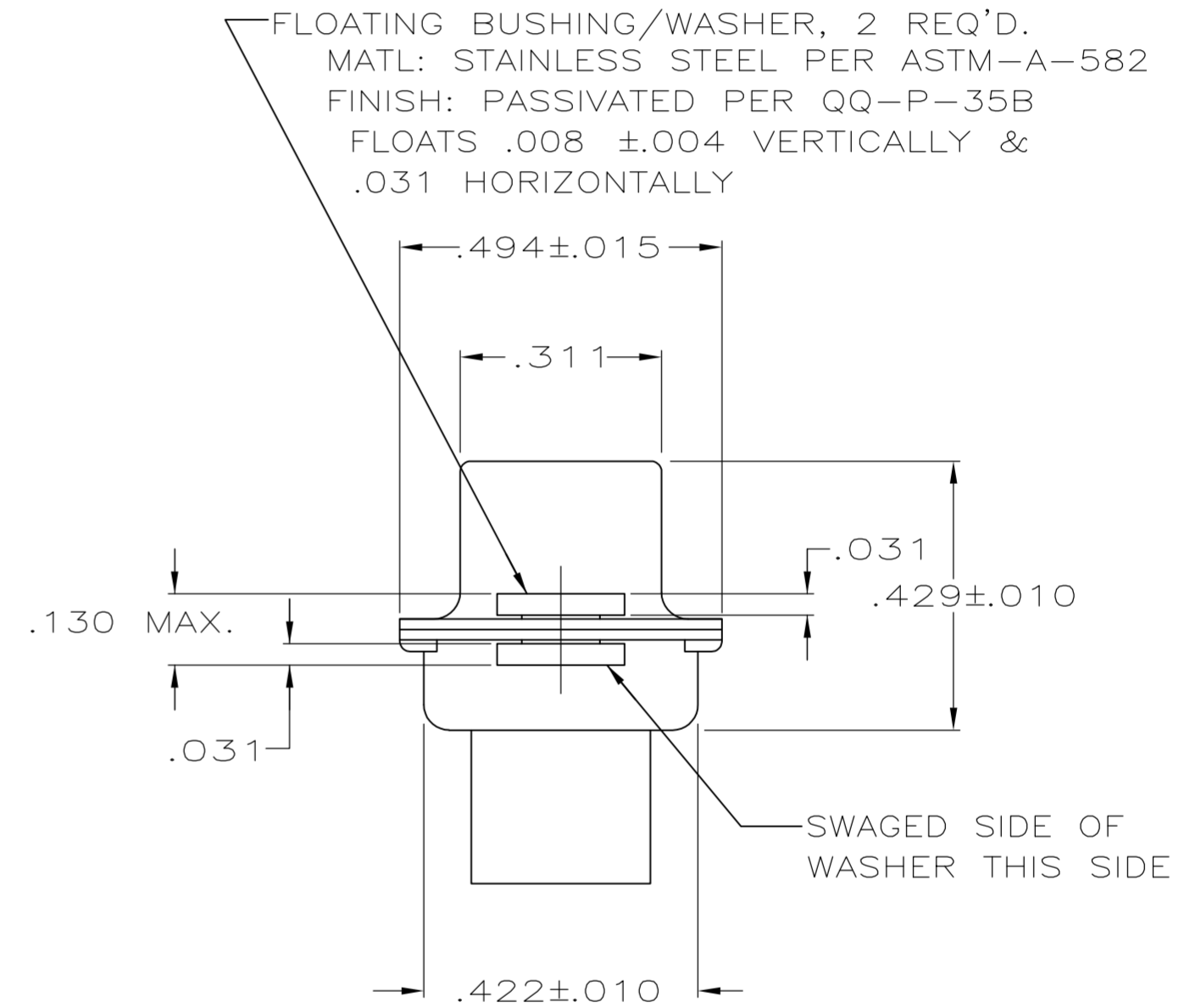
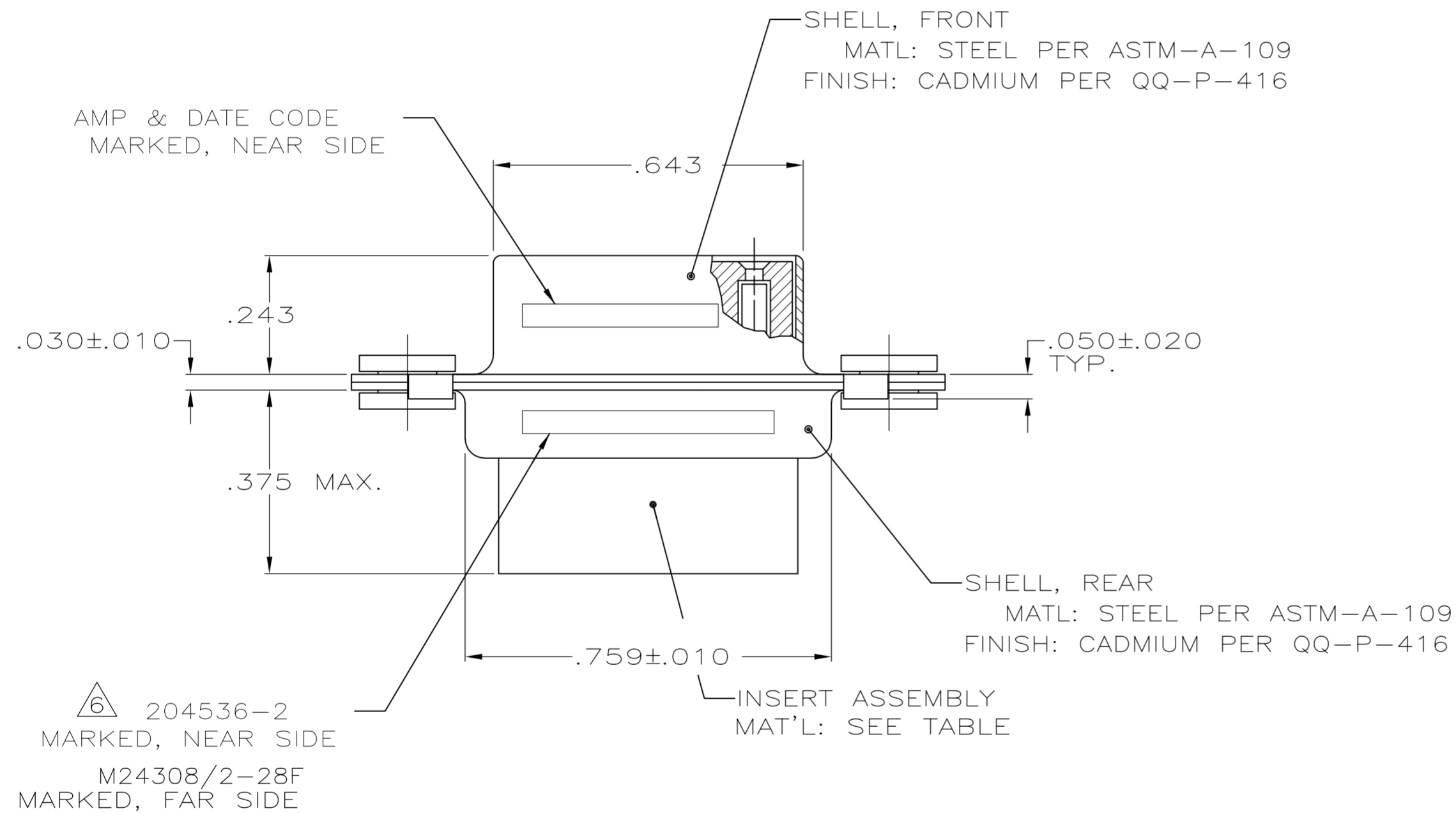
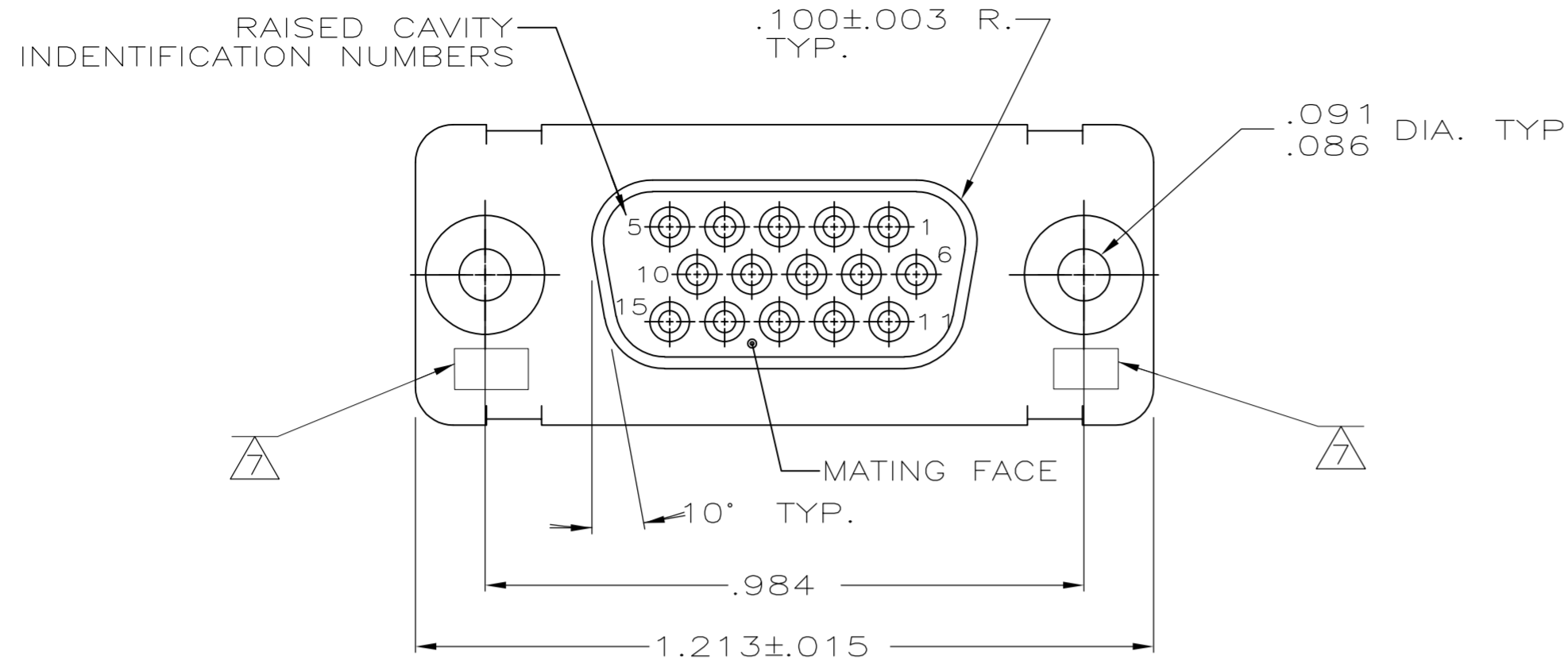


THIS DRAWING IS UNPUBLISHED. RELEASED FOR PUBLICATION  
 © COPYRIGHT BY TYCO ELECTRONICS CORPORATION. ALL RIGHTS RESERVED.

LOC		DIST		REVISIONS			
P	LTR	DESCRIPTION		DATE	DWN	APVD	
DF	DO	P	P	REV PER ECO-08-019991	22OCT08	PK	BW



- THIS RCPT. IS DESIGNED TO CONFORM TO THE LATEST ISSUE OF MIL-C-24308
  - MAX WIRE INSUL TO BE USED WITH THIS RCPT IS .054 DIA
  - METAL RETENTION CLIPS ARE INCLUDED IN INSERTS
  - PACKAGE MARKED M 24308/2-297F
  - THIS RCPT. WILL ACCEPT SIZE 22 SOCKET CONTACT M 24308/12 OR AMP # 204351
- AMP PART NO. MARKED ON CONNECTOR REPRESENTS KIT NUMBER WITH CONTACTS  
 UL/CSA DESIGNATION MARKED IN THIS AREA.

OBSOLETE	PHENOLIC, COLOR: BLACK	204524-2
	POLYPHENYLENE SULFIDE (PPS) GST-40F PER MIL-M-24519 OR GLASS FILLED POLYESTER TPES013G30 PER ASTM D5927 COLOR, BLACK	204524-1
	INSERT MATERIAL	PART NO.

THIS DRAWING IS A CONTROLLED DOCUMENT.		DWN	C.C.THOMAS	12-3-87	Tyco Electronics Corporation Harrisburg, PA 17105-3608
DIMENSIONS: INCHES		CHK	F.BALLEW III	1-25-88	
TOLERANCES UNLESS OTHERWISE SPECIFIED:		APVD	D.J.M.	1-25-88	
0 PLC ± - 1 PLC ± - 2 PLC ± - 3 PLC ± .005 4 PLC ± - ANGLES ± 0'30"		PRODUCT SPEC	NAME		
MATERIAL SEE CALLOUTS		FINISH	SEE CALLOUTS		AMPLIMITE RCPT. FOR SOCKET CONTACTS HI-DENSITY D CONN, SIZE 1, SERIES 90 WITH FLOAT BUSHINGS
SEE CALLOUTS		WEIGHT	-		SIZE A2 CAGE CODE 00779 DRAWING NO. C-204524 RESTRICTED TO -
CUSTOMER DRAWING		SCALE	4:1		SHEET 1 of 1 REV P