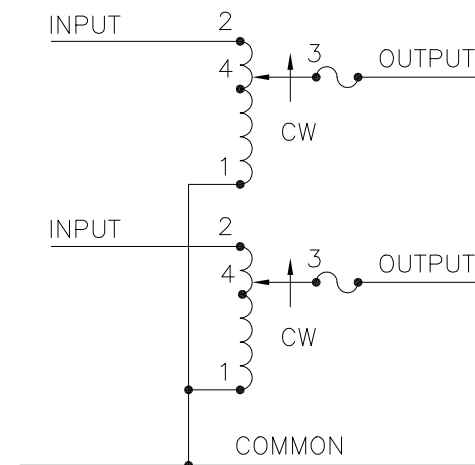


++ LINE TO LINE VOLTAGE

⌈ IF GANGED UNITS ARE USED IN A SYSTEM THAT ORDINARILY HAS A COMMON NEUTRAL OR GROUND BETWEEN SOURCE AND LOAD, THE NEUTRAL OR GROUND MUST BE CONNECTED TO THE COMMON TERMINALS OF THE VARIABLE TRANSFORMER ASSEMBLY. IF THE SYSTEM HAS NO NEUTRAL, THE LOAD MUST BE BALANCED OR THE TRANSFORMERS WILL BE DAMAGED.

■ JUMPER PROVIDED IN THE STANDARD COMMON POSITION AND SHOULD BE MOVED OR REMOVED AS REQUIRED.



SCHEMATIC

FUSE RECOMMENDED BUT NOT SUPPLIED

SPECIFICATIONS											
WIRING	INPUT		OUTPUT				SHAFT ROTATION TO INCREASE VOLTAGE	TERMINAL CONNECTIONS			
	VOLTS	HERTZ	VOLTS	CONSTANT CURRENT LOAD		CONSTANT IMPEDANCE LOAD		FOR INCREASING VOLTAGE AS VIEWED FROM BASE END			
				MAX. AMPS	MAX. KVA	MAX. AMPS		MAX. KVA	INPUT	JUMPER ■	OUTPUT
SINGLE PHASE SERIES	480	50/60	0-480	0.8	0.38	1.0	0.48	CW	2-2	1-1	3-3
		60	0-528	0.8	0.42	-	-	CCW	1-1	2-2	3-3
THREE PHASE OPEN DELTA ⌈	240	50/60	0-240	0.8	0.33	1.0	0.42	CW	2-1-2	1-1	3-1-3
		60	0-264	0.8	0.37	-	-	CCW	1-2-1	2-2	3-2-3
			++						CW	4-1-4	1-1

UNLESS OTHERWISE SPECIFIED, TOLERANCE IS ±

DECIMALS	HOLES	ANGLES	DRAFT	UNITS
.XX	.002	1°	1-1/2°	IN [mm]

TITLE: SPEC. CONTROL DRAWING
VARIABLE TRANSFORMER
TYPE: 252-2



MATERIAL: ALL DIMENSIONS APPLY AFTER PLATING

The information and design disclosed herein was originated by and is the property of STACO ENERGY PRODUCTS CO., which reserves all patent, proprietary, design, manufacturing, reproduction, use and sale rights thereto, and to any article disclosed therein except to the extent rights are expressly granted to others. The foregoing does not apply to vendor proprietary parts.

DRAWN BY	DATE	FIRST USED ON	DO NOT SCALE DWG.
TIM RAU	6/25/02		
CHECKER	DATE	WEIGHT APPROX.	CAGE CODE
		5.5 LBS.	83008
ENGINEER	DATE	SCALE	SHEET 1 OF 1
		1=1	