

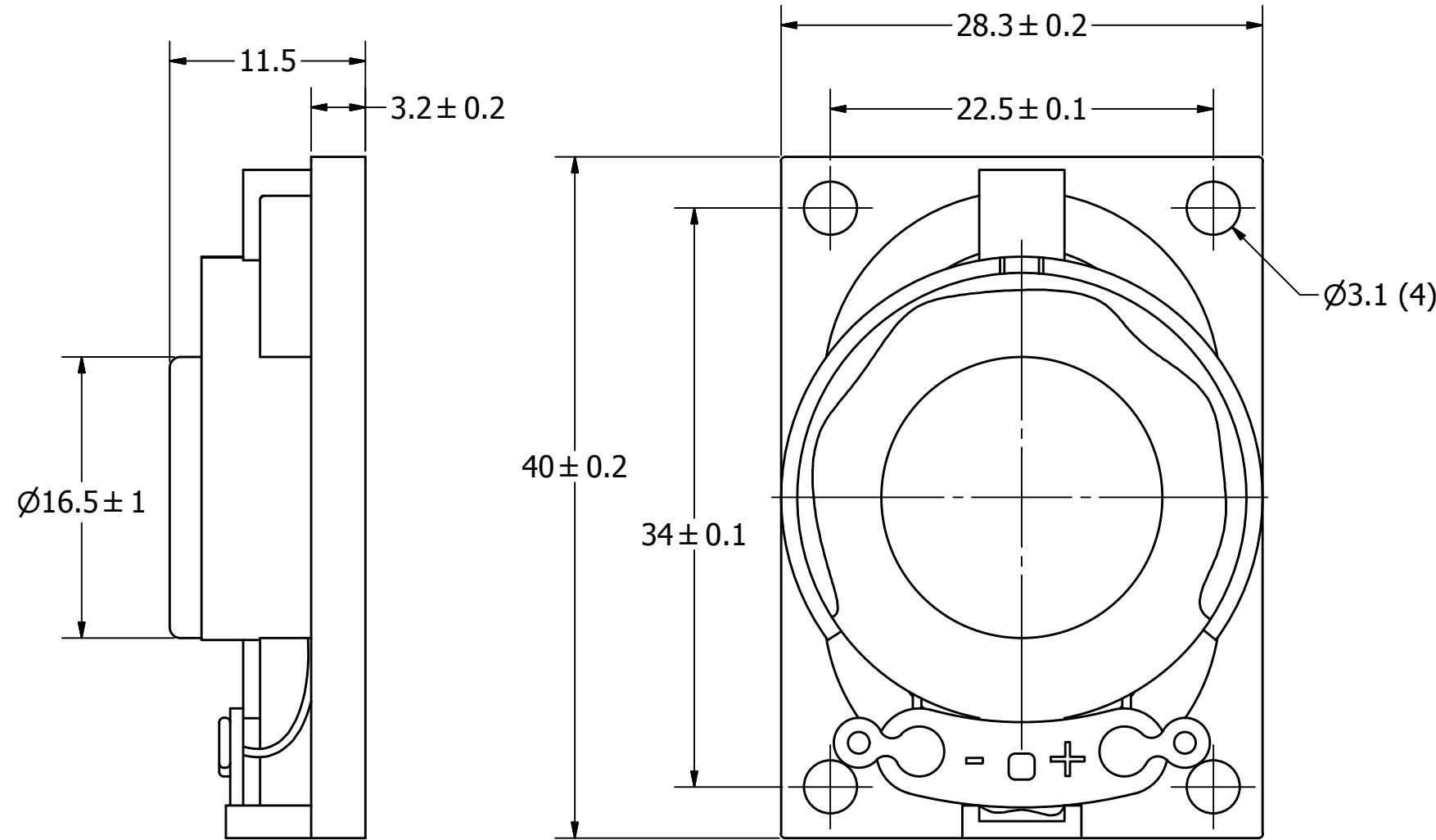
# SPECIFICATIONS

| PARAMETERS  | VALUES      | UNITS |
|---|-------------|-------|
| RATED INPUT POWER                                   | 1           | W     |
| MAX INPUT POWER                                     | 2           | W     |
| IMPEDANCE   | 8 ± 15%     | OHM   |
| OUTPUT SPL @ 1W/0.5M<br>(AT 1.0, 1.2, 1.5, 2.0 kHz) | 84 ± 3      | dB    |
| DISTORTION (MAX.)                                   | 5%          | -     |
| RESONANT FREQUENCY                                  | 450 ± 20%   | Hz    |
| FREQUENCY RANGE                                     | 450 ~ 20000 | Hz    |
| HOUSING MATERIAL                                    | ABS         | -     |
| CONE MATERIAL                                       | PAPER       | -     |
| MAGNET MATERIAL                                     | Nd-Fe-B     | -     |
| OPERATING TEMPERATURE                               | -20 ~ +60   | °C    |
| WEIGHT  | 13          | grams |

THIS DOCUMENT CONTAINS DATA PROPRIETARY TO PROJECTS UNLIMITED, INC. ANY USE OR REPRODUCTION, IN ANY FORM, WITHOUT PRIOR WRITTEN PERMISSION OF PROJECTS UNLIMITED, INC. IS PROHIBITED.  
©2003, Projects Unlimited Inc.

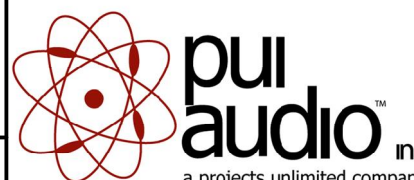
# REVISION HISTORY

| LTR | DESCRIPTION                              | DATE      | APPROVED |
|-----|--|-----------|----------|
| -   | RELEASED FROM ENGINEERING                | 6/29/2006 |          |
| A   | REVISED CONE MATERIAL                    | 3/16/2007 | R.W.     |
| B   | REVISED TO INVENTOR 3-D DRAWING TEMPLATE | 5/19/2008 | B.R.     |



## NOTES:

1. ALL DIMENSIONS ARE IN MILLIMETERS.
2. SPECIFICATIONS SUBJECT TO CHANGE OR WITHDRAWL WITHOUT NOTICE.
3. THIS PART IS RoHS 2002/95/EC COMPLIANT.

|  |                   |  |           |  |           |             |           |            |
|--|-------------------|--|-----------|--|-----------|-------------|-----------|------------|
| UNLESS OTHERWISE SPECIFIED:<br>DIMENSIONS ARE IN MILLIMETERS,<br>TOLERANCES ARE $\pm 0.5$ AND ANGLES ARE $\pm 3^\circ$ . | SIZE<br><b>A3</b> | Designed by  | Date      | Checked by                             | Date      | Approved by | Date      | Drawn Date |
|  |                   | J.D.   | 6/28/2006 | E.P.                                   | 6/28/2006 | B.R.        | 6/28/2006 | 5/19/2008  |
| AS04008PO-2-R.idw  |                   | <br><b>pui audio</b> inc<br><small>a projects unlimited company</small> |           | <b>AS04008PO-2-R</b><br><b>Speaker</b> |           | Edition     | Sheet     |            |
|  |                   |  |           |  |           | -           | 1 / 1     |            |