

Customer Information Sheet

DRAWING No.: M80-4C100F2-60-327

SHEET 2 OF 2

IF IN DOUBT - ASK

©

NOT TO SCALE

THIRD ANGLE PROJECTION

ALL DIMENSIONS IN mm

SPECIFICATIONS:

MATERIAL:

MOULDING: GLASS FILLED PPS, UL94V-0, BLACK

POWER CONTACT:

BODY = COPPER ALLOY
LATCHING COLLAR = BERYLLIUM COPPER
JACKSCREW, CIRCLIP: STAINLESS STEEL

FINISH:

POWER CONTACT:
BODY = GOLD
LATCHING COLLAR = NICKEL

ELECTRICAL:

WORKING VOLTAGE = 120V AC/DC
VOLTAGE PROOF = 360V AC/DC
INSULATION RESISTANCE = 100MΩ MIN

POWER CONTACT:

CONTACT RESISTANCE = 6 mΩ MAX
CURRENT RATING = 10A MAX WITH 16AWG CONTACT
AS SPECIFIED

MECHANICAL:

DURABILITY = 500 OPERATIONS

POWER CONTACT:

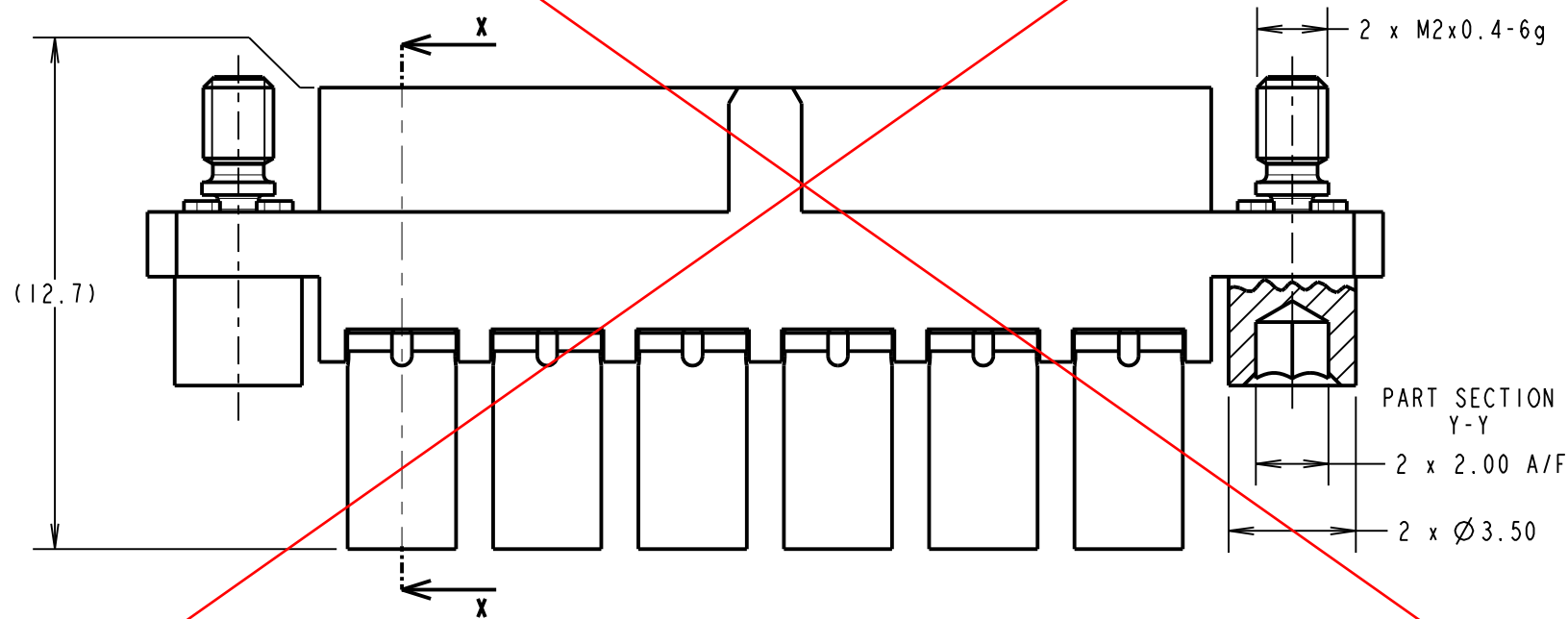
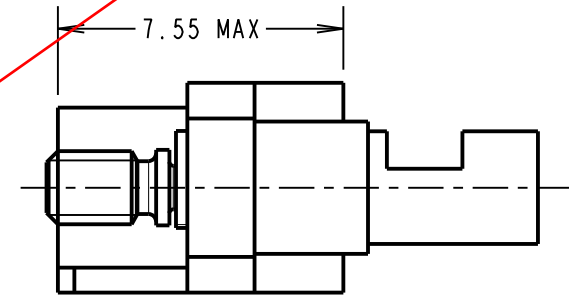
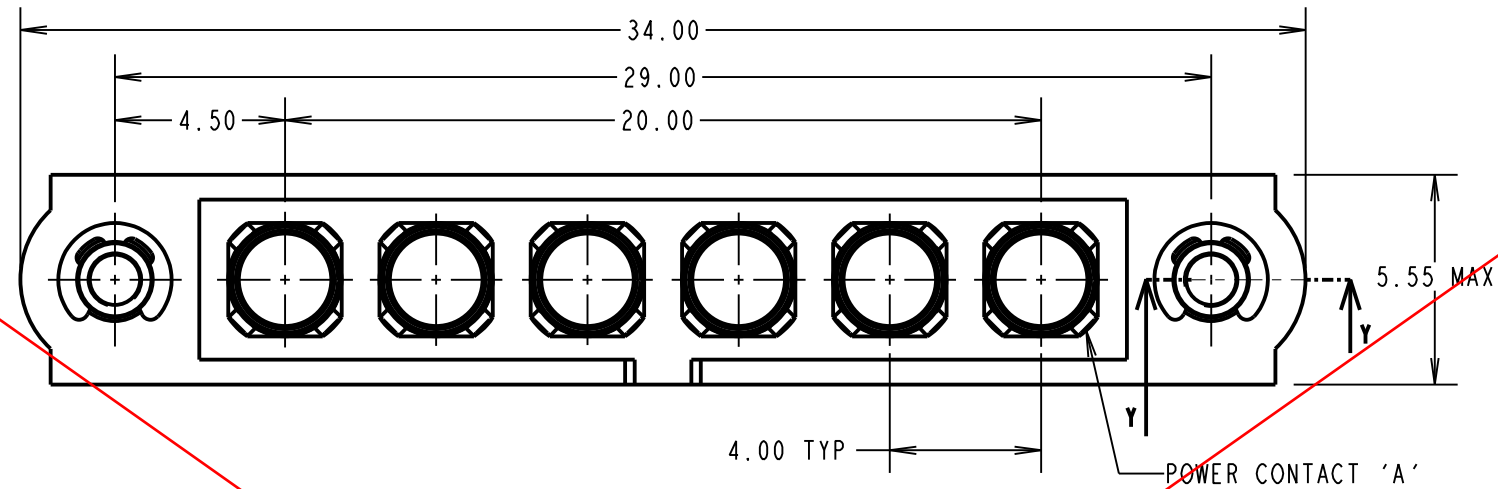
INSERTION FORCE = 5N MAX
WITHDRAWAL FORCE = 0.5N MIN

ENVIRONMENTAL:

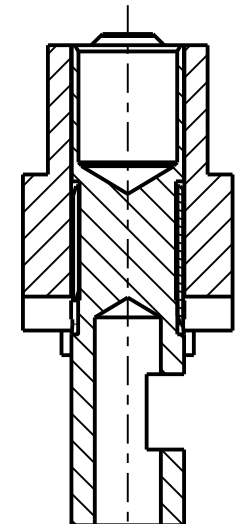
TEMPERATURE RANGE = -55°C TO +125°C

PACKING:

BAG
FOR COMPLETE SPECIFICATION SEE COMPONENT
SPECIFICATION C005XX (LATEST ISSUE)

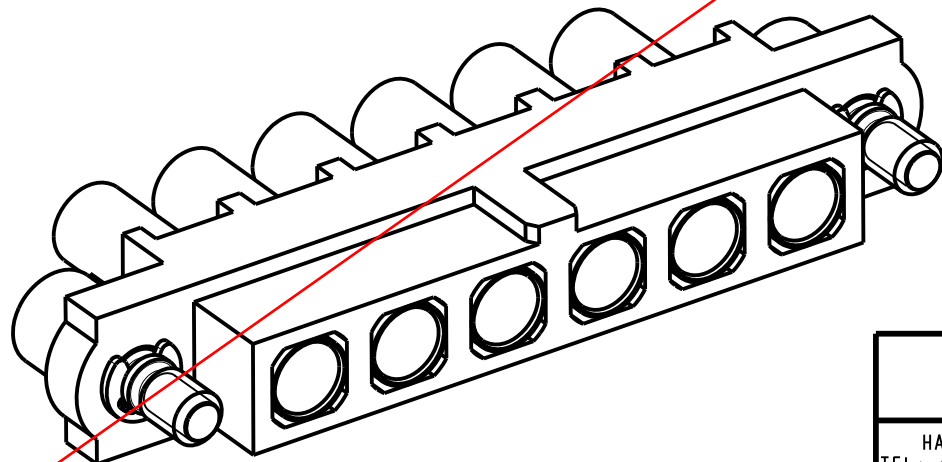


PART SECTION
Y-Y
2 x 2.00 A/F
2 x Ø3.50



SECTION X-X

OBSOLETE



NOTES:

- CONNECTORS ARE SUPPLIED WITH CONTACTS LOOSE.
- FOR EXTRA POWER CONTACTS, USE PART NUMBER M80-327
- POWER CONTACT WIRE, STRIP BY 5.00mm MINIMUM
- POWER CONTACT EXTRACTION TOOL = Z80-290
- INSTRUCTION SHEETS ARE AVAILABLE.

SM	1	25.08.10	10806
NAME	ISS.	DATE	C/NOTE
APPROVED: S. MCCULLAGH			
CHECKED: R. ADDE			
DRAWN: N. J. B. CODLING			
CUSTOMER REF.:			
ASSEMBLY DRG:			

HARWIN		
HARWIN USA TEL: 603 893 5376 FAX: 603 893 5396 mis@harwin.com	HARWIN Europe (UK) TEL: 023 9231 4545 FAX: 023 9231 4590 mis@harwin.co.uk	HARWIN Asia TEL: +65 6 779 4909 FAX: +65 6 779 3868 mis@harwin.com.sg

THIS DRAWING AND ANY INFORMATION OR DESCRIPTIVE MATTER SET OUT HEREON ARE CONFIDENTIAL AND COPYRIGHT PROPERTY OF THE HARWIN GROUP AND MUST NOT BE DISCLOSED, LOANED, COPIED OR USED FOR MANUFACTURING, TENDERING OR FOR ANY OTHER PURPOSE WITHOUT THEIR WRITTEN PERMISSION.

TOLERANCES
X. = ±1mm
X.X = ±0.25mm
X.XX = ±0.10mm
X.XXX = ±0.01mm
ANGLES = ±5°
UNLESS STATED

MATERIAL:	SEE ABOVE
FINISH:	SEE ABOVE
S/AREA:	mm ²

TITLE:	JACKSCREW DATAMATE MIXED TECHNOLOGY VERTICAL CRIMP FEMALE ASSEMBLY
DRAWING NUMBER:	M80-4C100F2-60-327
SHT	2 OF 2