

YAW5

YA W 5 12 E

① ② ③ ④ ⑤



- ① Series name
- ② Dual output
- ③ Output wattage
- ④ Output voltage
- ⑤ UL recognized, TÜV approved, CSA certified: E

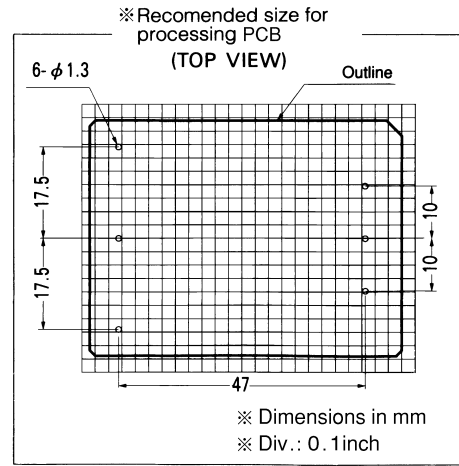
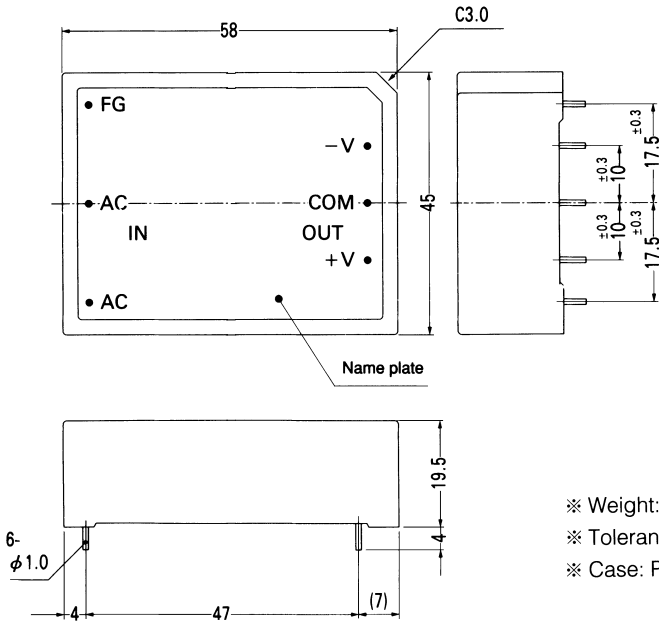
| | | |
|-----------------------|-----------------------------|--------------------------|
| MODEL | YAW512 | YAW515 |
| MAX OUTPUT WATTAGE[W] | 5.28 | 5.10 |
| DC OUTPUT | *1 ±12V 0.22A or +24V 0.22A | ±15V 0.17A or +30V 0.17A |

SPECIFICATIONS

| | MODEL | YAW512 | YAW515 | |
|------------------------------|--------------------------------------|--|-------------------|--|
| INPUT | VOLTAGE[V] | AC85 - 264 1 φ or DC110 - 370 | | |
| | CURRENT[A] | ACIN 200V | 0.07typ (Io=100%) | |
| | FREQUENCY[Hz] | | 47 - 440 or DC | |
| | EFFICIENCY[%] | ACIN 100V | 67typ (Io=100%) | |
| | INRUSH CURRENT[A] | ACIN 100V | 20typ (Io=100%) | |
| | | ACIN 200V | 40typ (Io=100%) | |
| OUTPUT | VOLTAGE[V] | ±12 (+24) | ±15 (+30) | |
| | CURRENT[A] | 0.22 | 0.17 | |
| | LINE REGULATION[mV] | 60max | 75max | |
| | LOAD REGULATION[mV] | 600max | 750max | |
| | RIPPLE[mVp-p] | *2 120max | 120max | |
| | RIPPLE NOISE[mVp-p] | *2 150max | 150max | |
| | TEMPERATURE REGULATION[mV] | 0 to +55°C | 180max | |
| | OUTPUT VOLTAGE ADJUSTMENT RANGE[V] | Fixed | | |
| | OUTPUT VOLTAGE SETTING[%] | ±5max (Rated input/output, Ta=25°C) | | |
| HOLD-UP TIME[ms] | 10typ (ACIN 85V, Io=100%) | | | |
| PROTECTION CIRCUIT | OVERCURRENT PROTECTION | Works over 105% of rating and recovers automatically | | |
| ISOLATION | INPUT-OUTPUT | AC3,000V 1minute, Cutoff current = 15mA, DC500V 50MΩmin (At Room Temperature) | | |
| | INPUT-FG | AC2,000V 1minute, Cutoff current = 10mA, DC500V 50MΩmin (At Room Temperature) | | |
| | OUTPUT-FG | AC500V 1minute, Cutoff current=100mA, DC500V 50MΩmin (At Room Temperature) | | |
| ENVIRONMENT | OPERATING TEMP., HUMID. AND ALTITUDE | -10 to +70°C, 20 - 95%RH (Non condensing) (Refer to DERATING CURVE), 3,000m (10,000feet) max | | |
| | STORAGE TEMP., HUMID. AND ALTITUDE | -20 to +75°C, 20 - 95%RH (Non condensing), 9,000m (30,000feet) max | | |
| | VIBRATION | 10 - 55Hz, 98.0m/s ² (10G), 3minutes period, 60minutes each along X, Y and Z axis | | |
| | IMPACT | 490.3m/s ² (50G), 11ms, once each X, Y and Z axis | | |
| SAFETY AND NOISE REGULATIONS | AGENCY APPROVALS | UL60950-1, EN60950-1, EN50178, CSA C22.2 No.60950-1 Complies with IEC60950-1 | | |
| | CONDUCTED NOISE | Complies with FCC-B, VCCI-B, Additional capacitors required for meeting CISPR22-B, EN55022-B (External Fuse is required) | | |

*1 Output pins can be connected in series to make a 24V/30V output.
 *2 Measured by 20MHz oscilloscope.
 * The output specification is at ±12V and ±15V.
 * Parallel operation with other model is not possible.

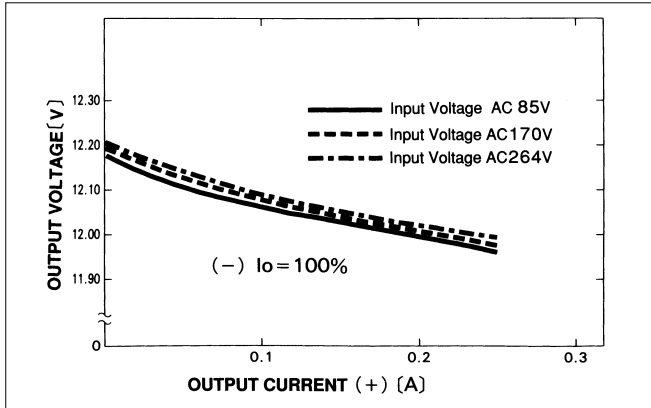
External view



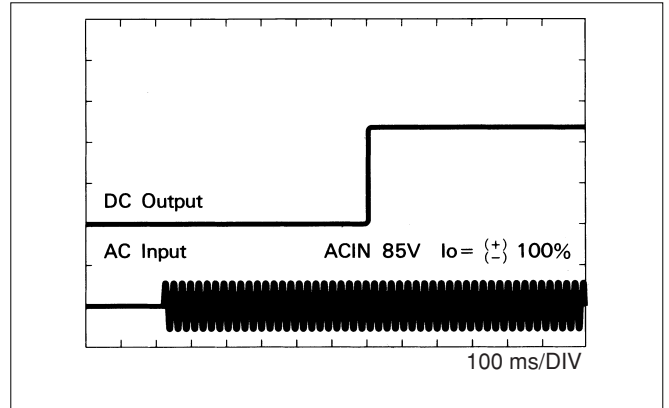
- ※ Weight: 85g or less
- ※ Tolerance: ±0.5
- ※ Case: PBT

Performance data

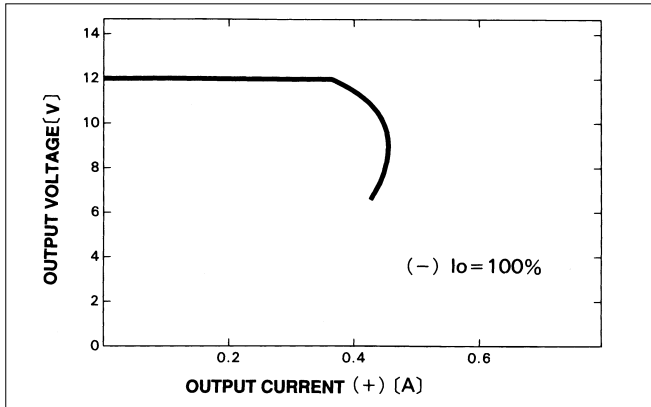
■ STATIC CHARACTERISTICS (YAW512)



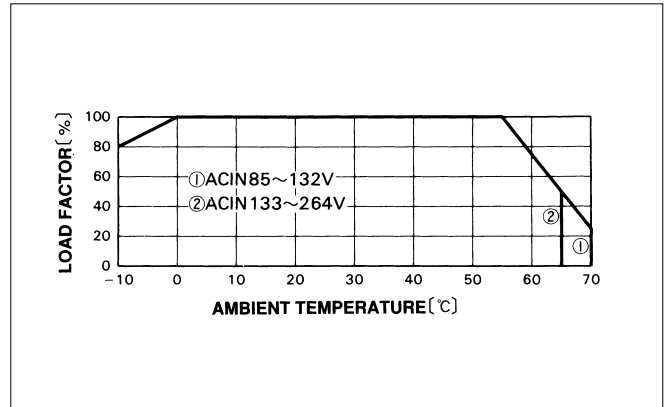
■ RISE TIME (YAW512: +12V)



■ OVERCURRENT CHARACTERISTICS (YAW512)



■ DERATING CURVE

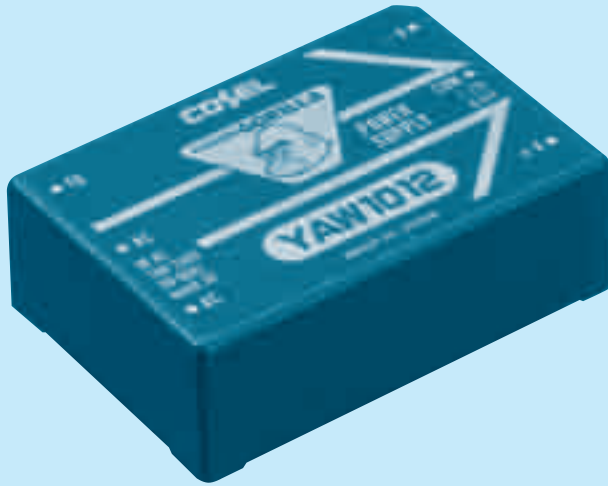


YA

YAW10

YA W 10 12 E

① ② ③ ④ ⑤



- ① Series name
- ② Dual output
- ③ Output wattage
- ④ Output voltage
- ⑤ UL recognized, TÜV approved, CSA certified: E

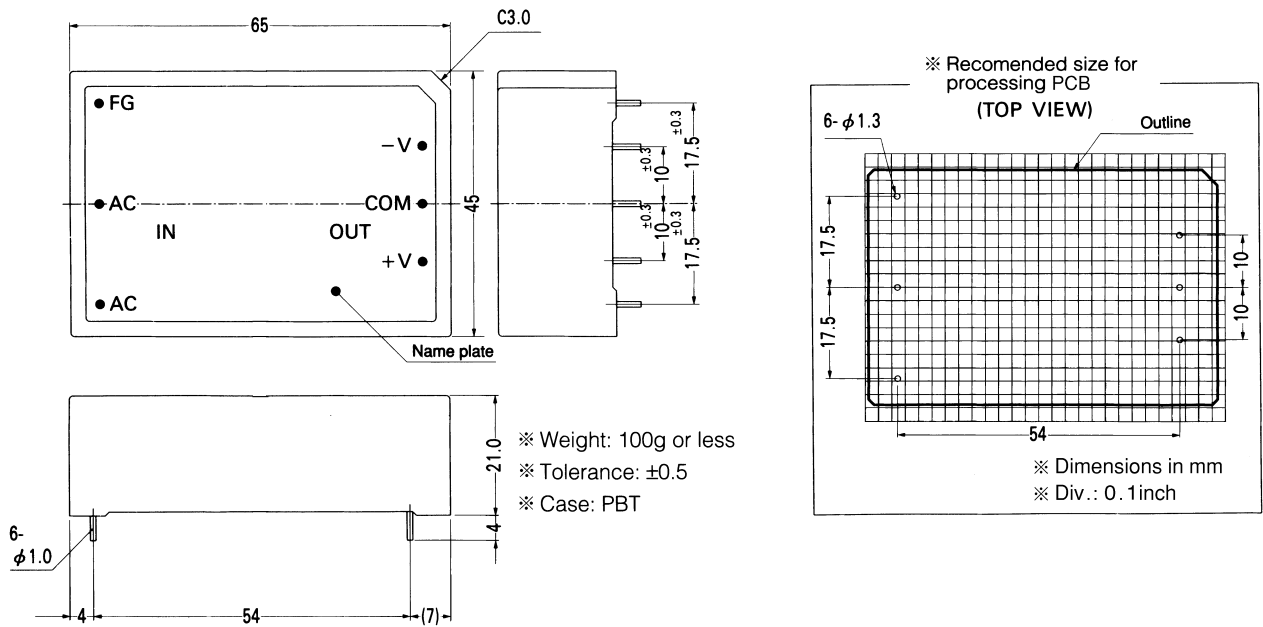
| | | |
|-----------------------|-----------------------------|--------------------------|
| MODEL | YAW1012 | YAW1015 |
| MAX OUTPUT WATTAGE[W] | 10.8 | 10.5 |
| DC OUTPUT | *1 ±12V 0.45A or +24V 0.45A | ±15V 0.35A or +30V 0.35A |

SPECIFICATIONS

| | MODEL | YAW1012 | YAW1015 |
|------------------------------|--------------------------------------|--|------------------------------------|
| INPUT | VOLTAGE[V] | AC85 - 264 1 φ or DC110 - 370 | |
| | CURRENT[A] | ACIN 200V | 0.14typ (Io=100%) |
| | FREQUENCY[Hz] | | 47 - 440 or DC |
| | EFFICIENCY[%] | ACIN 100V | 72typ (Io=100%) |
| | INRUSH CURRENT[A] | ACIN 100V ACIN 200V | 20typ (Io=100%) 40typ (Io=100%) |
| OUTPUT | VOLTAGE[V] | ±12 (+24) | ±15 (+30) |
| | CURRENT[A] | 0.45 | 0.35 |
| | LINE REGULATION[mV] | 60max | 75max |
| | LOAD REGULATION[mV] | 600max | 750max |
| | RIPPLE[mVp-p] | *2 120max | 120max |
| | RIPPLE NOISE[mVp-p] | *2 150max | 150max |
| | TEMPERATURE REGULATION[mV] | 0 to +55°C | 180max |
| | OUTPUT VOLTAGE ADJUSTMENT RANGE[V] | Fixed | |
| OUTPUT VOLTAGE SETTING[%] | ±5max (Rated input/output, Ta=25°C) | | |
| HOLD-UP TIME[ms] | 10typ (ACIN 85V, Io=100%) | | |
| PROTECTION CIRCUIT | OVERCURRENT PROTECTION | Works over 105% of rating and recovers automatically | |
| ISOLATION | INPUT-OUTPUT | AC3,000V 1minute, Cutoff current = 15mA, DC500V 50MΩmin (At Room Temperature) | |
| | INPUT-FG | AC2,000V 1minute, Cutoff current = 10mA, DC500V 50MΩmin (At Room Temperature) | |
| | OUTPUT-FG | AC500V 1minute, Cutoff current=100mA, DC500V 50MΩmin (At Room Temperature) | |
| ENVIRONMENT | OPERATING TEMP., HUMID. AND ALTITUDE | -10 to +70°C, 20 - 95%RH (Non condensing) (Refer to DERATING CURVE), 3,000m (10,000feet) max | |
| | STORAGE TEMP., HUMID. AND ALTITUDE | -20 to +75°C, 20 - 95%RH (Non condensing), 9,000m (30,000feet) max | |
| | VIBRATION | 10 - 55Hz, 98.0m/s ² (10G), 3minutes period, 60minutes each along X, Y and Z axis | |
| | IMPACT | 490.3m/s ² (50G), 11ms, once each X, Y and Z axis | |
| SAFETY AND NOISE REGULATIONS | AGENCY APPROVALS | UL60950-1, EN60950-1, EN50178, CSA C22.2 No.60950-1 Complies with IEC60950-1 | |
| | CONDUCTED NOISE | Complies with FCC-B, VCCI-B, Additional capacitors required for meeting CISPR22-B, EN55022-B (External Fuse is required) | |

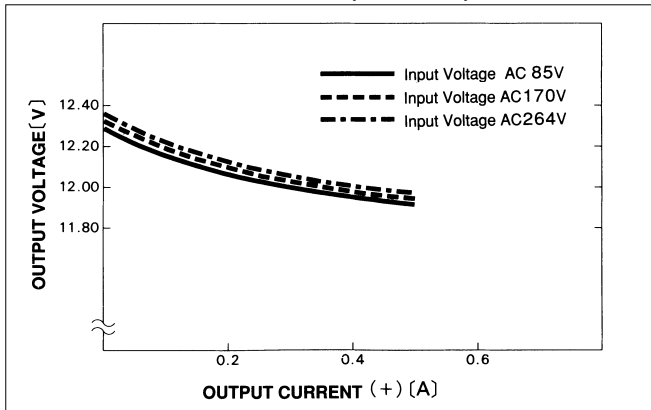
*1 Output pins can be connected in series to make a 24V/30V output.
 *2 Measured by 20MHz oscilloscope.
 * The output specification is at ±12V and ±15V.
 * Parallel operation with other model is not possible.

External view

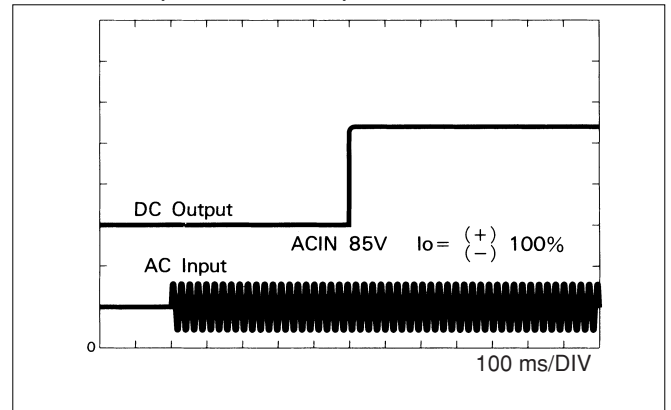


Performance data

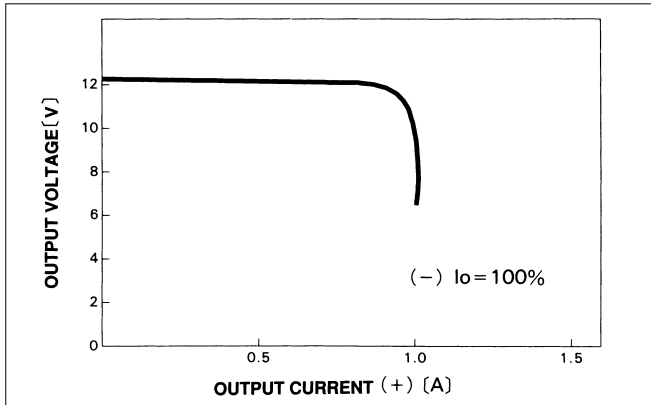
■ STATIC CHARACTERISTICS (YAW1012)



■ RISE TIME (YAW1012: +12V)



■ OVERCURRENT CHARACTERISTICS (YAW1012)



■ DERATING CURVE

