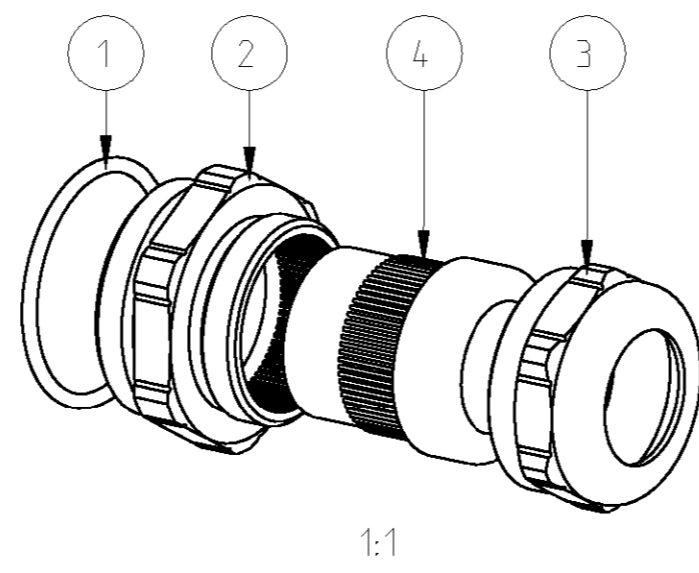
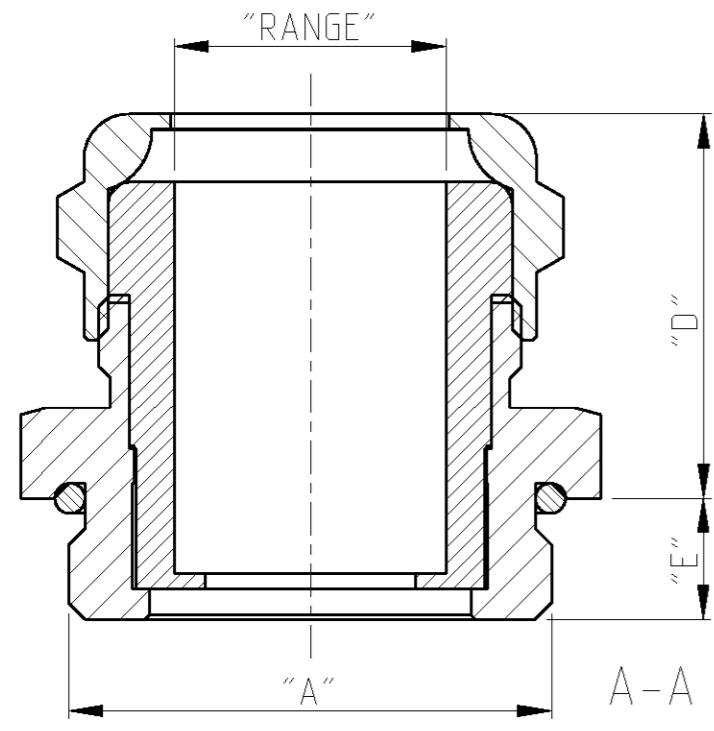


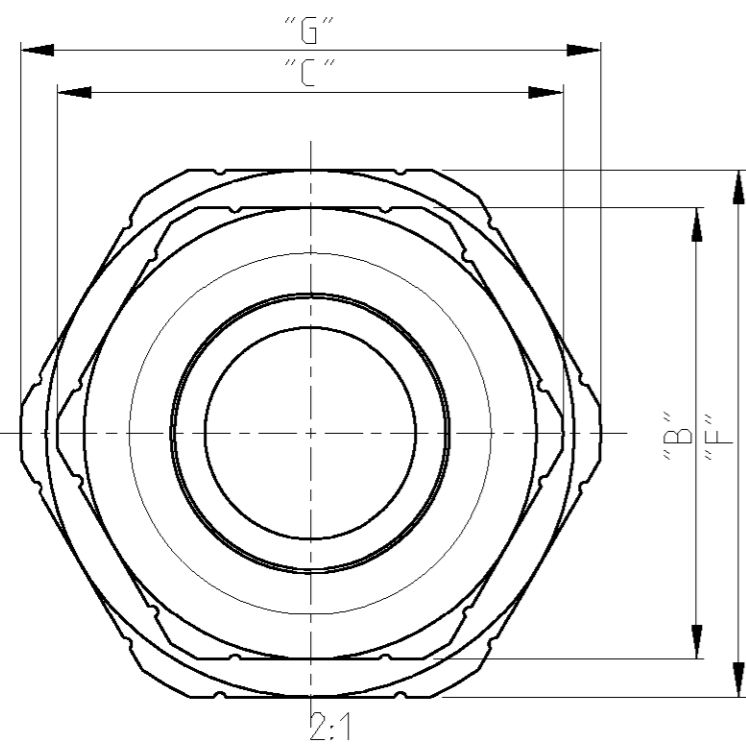
THIS DRAWING IS UNPUBLISHED. RELEASED FOR PUBLICATION 2006
 © COPYRIGHT 2006 BY TYCO ELECTRONICS CORPORATION. ALL RIGHTS RESERVED.

LOC	DIST	REVISIONS				
P	LTR	DESCRIPTION	DATE	DWN	APVD	
A1	-	A2	PN 0-2 TO 0-4 ADDED ECR-024983	24OCT2006	GW	BR



QTY	DESCRIPTION	MATERIAL	SURFACE/COLOR	ITEM
1	SEALING INSERT	TPE-V		4
1	PRESSURE NUT	BRASS	NICKEL PLATED	3
1	DOUBLE NIPPLE	BRASS	NICKEL PLATED	2
1	O-RING	NBR	BLACK	1

PARTS LIST



PART NO.	"A"	"B"	"C"	"D"	"E"	"F"	"G"	"RANGE"	WEIGHT [kg]
0-4	M40x1.5	40.0	Ø43.5	28.0	8.0	43.0	Ø47.3	Ø18.0-14.0	0.1524
0-3	M32x1.5	30.0	Ø33.5	26.0	8.0	35.0	Ø38.5	Ø15.5-11.5	0.0982
0-2	M32x1.5	30.0	Ø33.5	26.0	8.0	35.0	Ø38.5	Ø18.0-14.0	0.0966
0-1	M25x1.5	30.0	Ø33.5	26.0	7.5	30.0	Ø33.5	Ø18.0-14.0	0.0706

THIS DRAWING IS A CONTROLLED DOCUMENT FOR TYCO ELECTRONICS CORPORATION. IT IS SUBJECT TO CHANGE AND THE CONTROLLING ENGINEERING ORGANIZATION SHOULD BE CONTACTED FOR THE LATEST REVISION.

DIMENSIONS:	TOLERANCES UNLESS OTHERWISE SPECIFIED:	DWN 24OCT2006 G.WROBLEWSKI	tyco Electronics AMP GmbH 53819 Neunkirchen (Germany)
mm	0 PLC ± 1 PLC ± 2 PLC ± 3 PLC ± 4 PLC ± ANGLES ±1°	CHK 24OCT2006 H.BRAUN	
MATERIAL	FINISH	APVD 24OCT2006 T.SCHNURPFEL	NAME ASS'Y CABLE GLAND SERIES HIP-DICHT, METRIC
		PRODUCT SPEC	SIZE CAGE CODE DRAWING NO RESTRICTED TO
		APPLICATION SPEC	A3 00779 C=1102842
		WEIGHT	CUSTOMER DRAWING SCALE 5:1 SHEET 1 OF 1 REV A2