

4

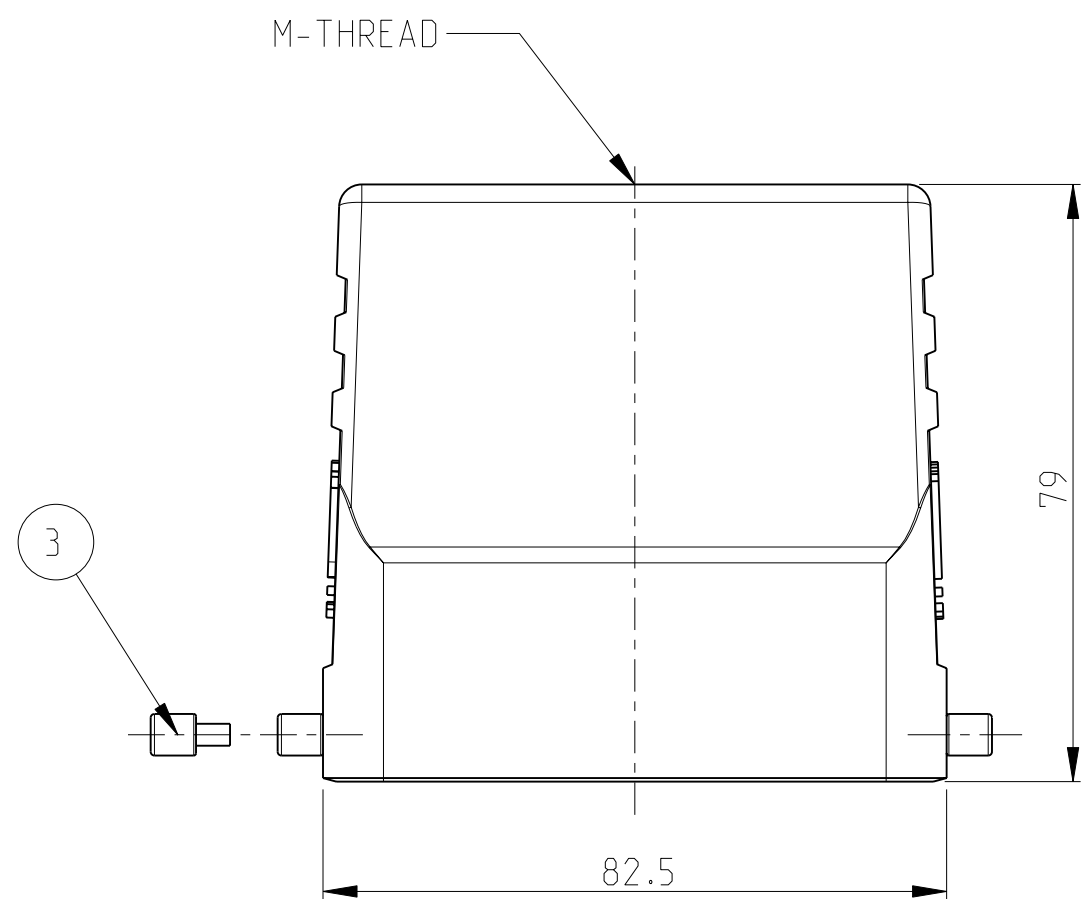
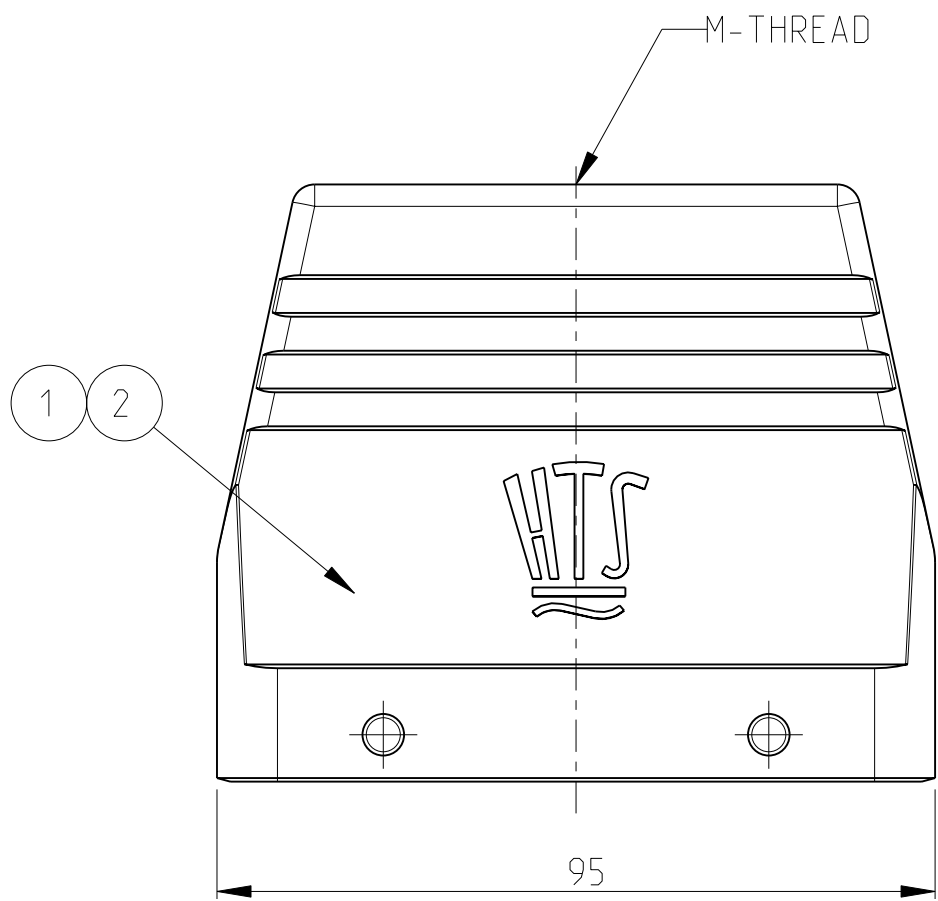
3

2

1

THIS DRAWING IS UNPUBLISHED. RELEASED FOR PUBLICATION 2006
 © COPYRIGHT 2006 BY TYCO ELECTRONICS CORPORATION. ALL RIGHTS RESERVED.

LOC	DIST	REVISIONS				
P	LTR	DESCRIPTION	DATE	DWN	APVD	
A1	-					
	A2	new pro/E drawing ECR-09-007725	11MAR2009	SR	AR	



NOTES

- 1 PART SHALL BE FREE AND CLEAN OF BURRS AND OTHER FOREIGN MATERIAL
- 2 PACKAGING: QUANTITY 3 PIECES
- 3 VARNISHING INSIDE HOUSING NOT REQUIRED

4	4	CLIP BOLT	STEEL	ZINC PLATED	BLUE	3	
1		HOOD	ALUMINIUM		GRAU	2	
	1	HOOD	ALUMINIUM		GRAU	1	
0-2	0-1	DESCRIPTION	MATERIAL	SURFACE	COLORE	ITEM	NOTES
		HB.32.STO.1.42.G					
		HB.32.STO.1.36.G					

<small>THIS DRAWING IS A CONTROLLED DOCUMENT FOR TYCO ELECTRONICS CORPORATION IT IS SUBJECT TO CHANGE AND THE CONTROLLING ENGINEERING ORGANIZATION SHOULD BE CONTACTED FOR THE LATEST REVISION.</small>		DWN R.SCHNEIDER 11MAR2009 CHK T.SCHNURPFEL 11MAR2009 APVD - PRODUCT SPEC - APPLICATION SPEC - WEIGHT -	Tyco Electronics tyco Electronics AMP GmbH 53757 Sankt Augustin (Germany)
DIMENSIONS: mm 	TOLERANCES UNLESS OTHERWISE SPECIFIED: 0 PLC ±- 1 PLC ±- 2 PLC ±- 3 PLC ±- 4 PLC ±- ANGLES ±1° MATERIAL - FINISH -	NAME HOOD ASSY HB.32.STO.1.36/42.G	SIZE A3 CAGE CODE 00779 DRAWING NO ©=1108718 RESTRICTED TO -
CUSTOMER DRAWING		SCALE 1:1	SHEET 1 OF 1 REV A2