

PRODUCT NUMBER  
73325-XXXLF

PLATING OPTION	
1=	GXT 0.76 $\mu\text{m}$
3=	GOLD 0.76 $\mu\text{m}$
5=	GOLD 1.27 $\mu\text{m}$

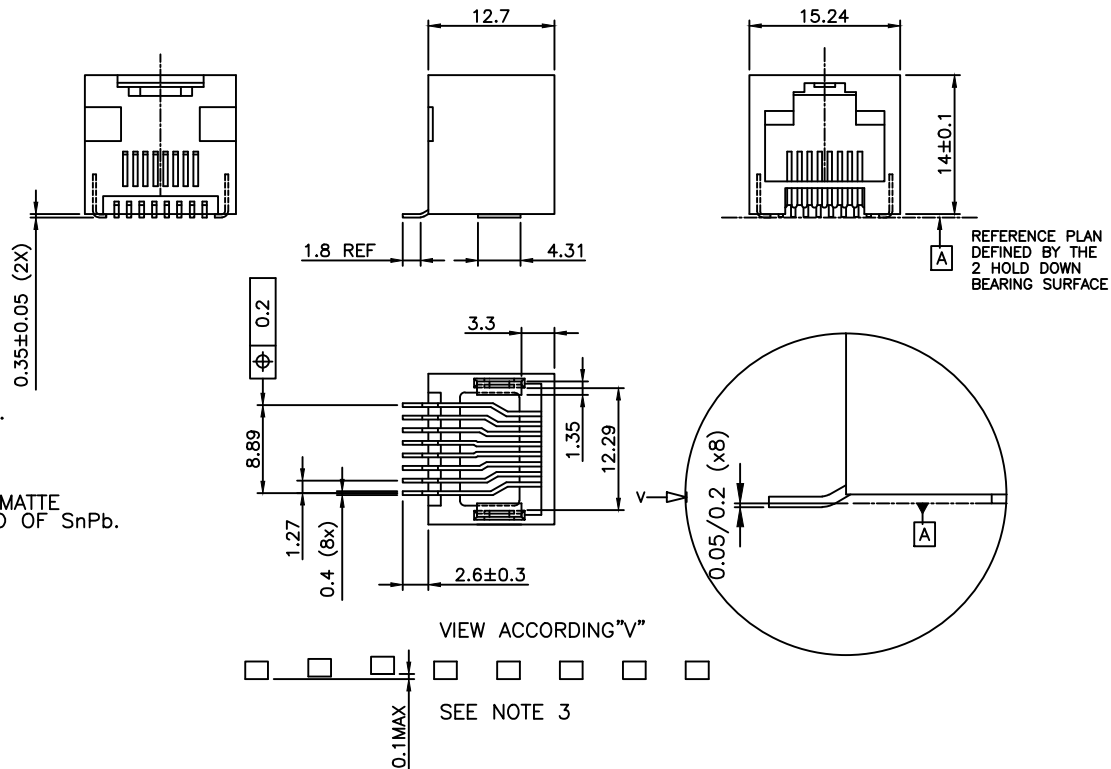
PACKAGE OPTION	
1=	TAPE ON REEL
2=	TUBE
3=	TAPE ON REEL IN PLASTIC BAG

TERMINAL LOADING	
1=	FULLY LOADED
2=	POS 1,2,7,8
3=	POS 3,4,5,6

WHEN NEEDED, SUFFIX LETTER "LF" INDICATES THE PRODUCT IS RoHS COMPATIBLE, SEE NOTE 4.

NOTES:

- 1- MATERIAL: HOUSING: HIGH TEMP. PCT, COLOUR BLACK.  
TERMINAL: PHOSPHOR BRONZE.
- 2 - PLATING: CONTACT AREA: SEE TABLE.  
SOLDER TAIL : 90/10 SnPb 2 $\mu\text{m}$  MIN.  
WHEN SUFFIX "LF" IS REQUIRED, 2 $\mu\text{m}$  MIN MATTE TIN OVER 1.27 MIN Ni IS SUPPLIED INSTEAD OF SnPb.  
NO RAW EDGES EXCEPT SOLDER TAIL TIPS
- 3 - SOLDER TAILS COPLANARITY : 0.1 mm
- 4 - RoHS COMPATIBLE PRODUCT SPECIFICATIONS
  - a - PLATING:
    - "LF" MEANS THE PRODUCT IS LEAD-FREE, 2 $\mu\text{m}$  MINIMUM MATTE TIN OVER 1.27 $\mu\text{m}$  MINIMUM NICKEL UNDERPLATE.
  - b - MANUFACTURING PROCESS COMPATIBILITY
    - THE HOUSING WILL WITHSTAND EXPOSURE TO 245°C PEAK TEMPERATURE FOR 30 SECONDS MAX IN A CONVECTION, INFRA-RED OR VAPOR PHASE OR REFLOW OVEN.
  - c - LABELING:
    - MEETS PACKAGING SPECS AS PER GS-14-920
  - d - LEGAL STATEMENT: SEE GS-47-0004
- 5 - PACKAGING FOR OPTION 3 : EACH REEL IS WRAPPED INTO A PLASTIC BAG TO PROTECT FROM MOISTURE DURING STACKING TIME.



CUSTOMER COPY FOR REFERENCE ONLY

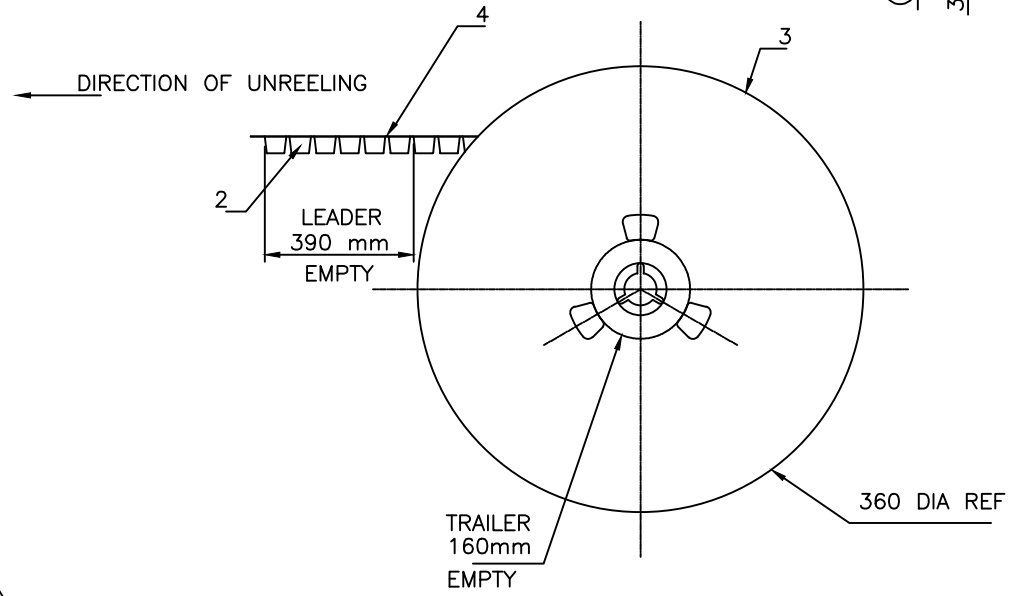
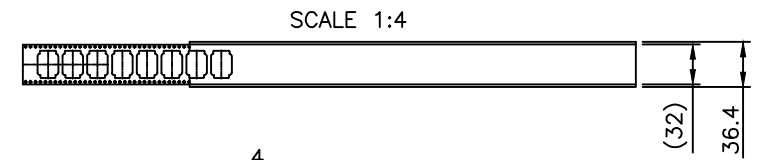
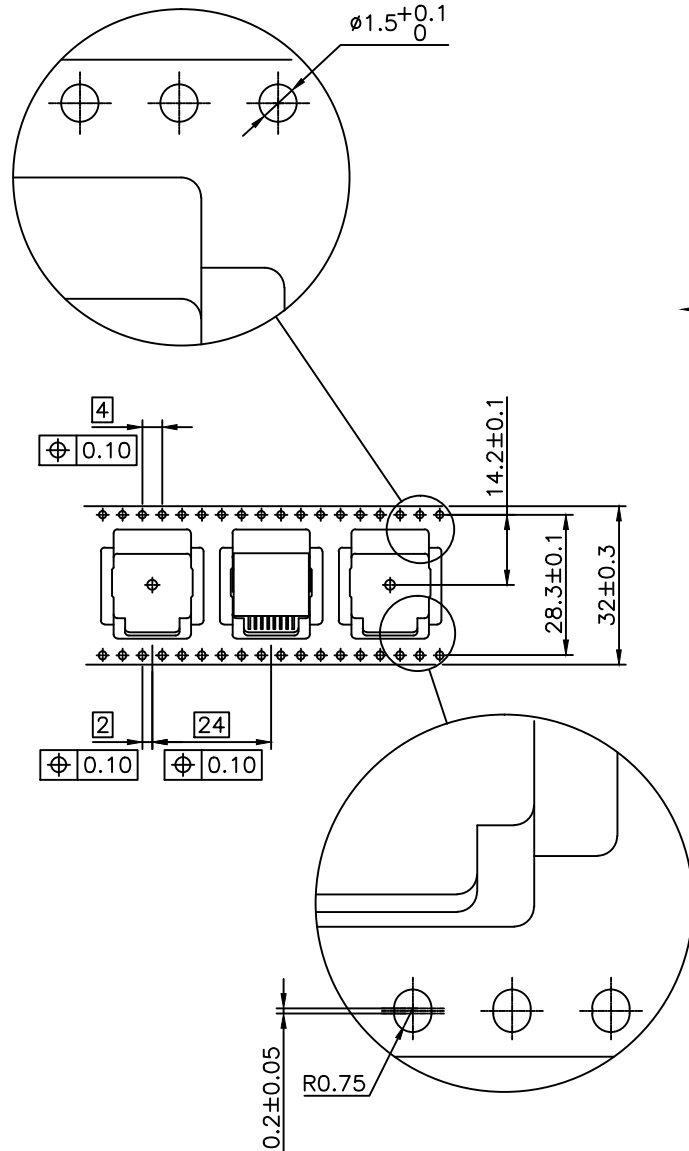
mat'l. code		surface		tolerance		projection		product family	
		ISO 1302 ✓		ISO 406 ISO 1101		mm		MOD JACK	
ltr		ecn no		dr		date		title	
H		F06-0240		DLE		06.07.18		SMT RA JACK	
J		F09-0070		LSA		09.07.23		8 POS INSIDE	
K		B-15798		JFA		13.09.09		scale 2:1	
L		F-21888		AMA		15.09.09		dwg no	
				dr		D LEGRAND		sheet 1 of 3	
				enrg		P NIZZI		size	
F		F04-0363		DLE		04.10.18		73325	
G		F05-0247		DLE		05.09.12		A3	
				appd		P NZ		type	
								CUSTOMER Drawing	
sheet		revision		L		E		B	
index		sheet		1		2		3	



Copyright FCI

PRODUCT NUMBER  
SEE SHEET 1

LTR	PART NAME	QTY
1	PRODUCT	230
2	TAPE	1
3	REEL	1
4	COVER TAPE	1

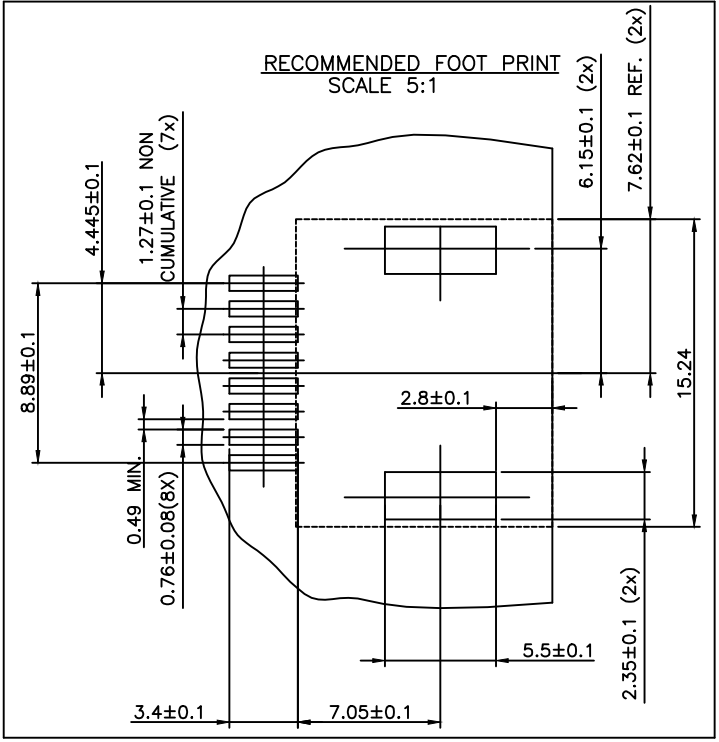


1- IN ACCORDANCE WITH EIA-481 AND IEC 296-3

CUSTOMER COPY FOR REFERENCE ONLY									
mat'l. code			surface ISO 1302 <input checked="" type="checkbox"/> ISO 406 ISO 1101		tolerance tolerances unless otherwise specified		projection mm		product family MOD-JACK
ltr	ecn no	dr	date	angles	linear	scale 1:1	title SMT RA JACK 8 POS. INSIDE		
D	F80620	DLE	98.11.26				dwg no	sheet 2 of 3	size
E	F06-0240	DLE	06.07.18				73325		A3
				dr	D LEGRAND	06.07.18	type	CUSTOMER Drawing	
				engr	P NIZZI	06.07.18			
				chr	D LE	06.07.18			
				appd	P NZ	06.07.18			
sheet index	revision sheet								



Copyright FCI



FCconnect.com

CUSTOMER COPY FOR REFERENCE ONLY

mat'l. code		surface		tolerance		projection		product family	
		ISO 1302		ISO 406 ISO 1101				MOD JACK	
ltr		ecn no		date		tolerances unless otherwise specified		title	
A		F04-0363		DLE 04.10.18		±0.13		SMT RA JACK	
B		F06-0240		DLE 06.07.18		mm		8 POS INSIDE	
				angles		linear		scale 2:1	
				±2'					
		dr		D LEGRAND		04.10.18		dwg no	
		engr		P NIZZI		04.10.18		sheet 3 of - size	
		chr		D LEGRAND		04.10.18		73325	
		appd		P NZ		04.10.18		A4	
sheet index		revision sheet						type	
								CUSTOMER Drawing	



form: A4