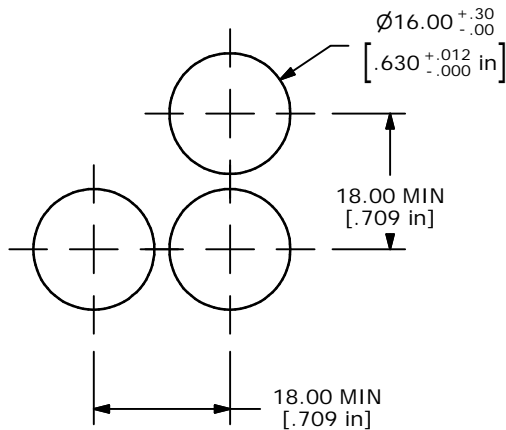
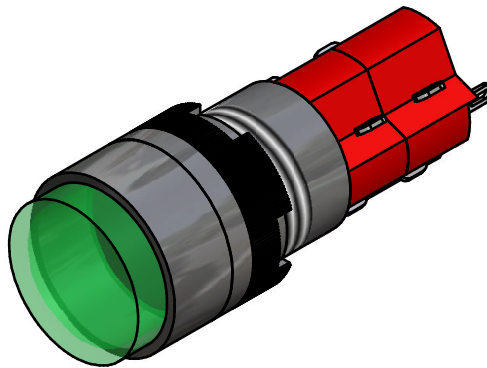
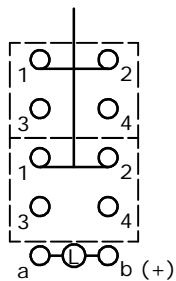
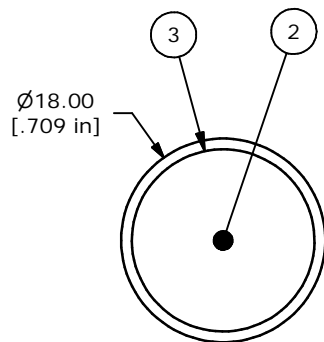


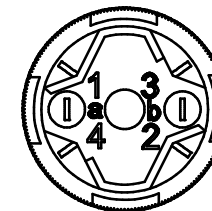
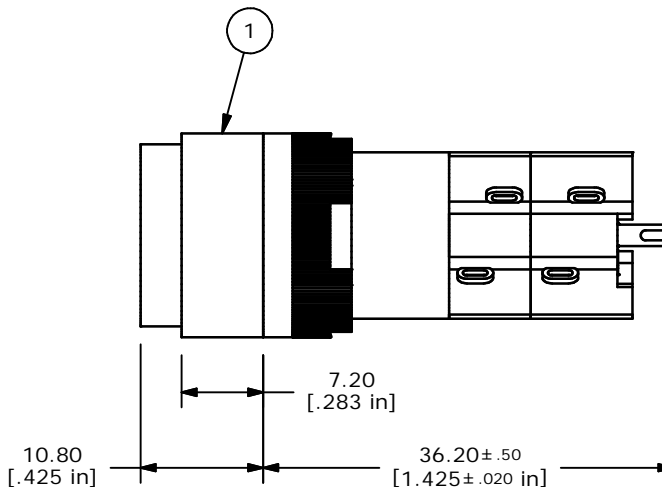
ITEM	QTY	PART NUMBER	DESCRIPTION
1	1	F040027	D16OAR12
2	1	F050422	50-004-22 24VDC GREEN LED
3	1	F050102	50-001-02 ROUND GREEN LENS



PANEL MOUNTING



DPDT CONTACT CONFIGURATION



NOTE:

1. ALL DIMENSIONS IN MM [INCH]
2. GENERAL TOLERANCE: X.X=±0.4
X.XX=±0.25
3. TERMINAL NUMBERS FOR REF ONLY
4. MECHANICAL LIFE: 2,000,000 OPERATIONS
5. INSULATION RESISTANCE: 1,000 MILLI-OHM MIN.
6. OPERATING TEMP.: -25°C to 70°C
- ▲ 7. LAMP VOLTAGE: 24VDC GREEN LED
8. ▲ DENOTES CRITICAL PARAMETER.



TITLE D16OAR12KGRNGRN

A	14521	RELEASED FOR PRODUCTION	11/18/004	AR
REV	PCR NO	DESCRIPTION	DATE	BY

THE INFORMATION CONTAINED IN THIS DOCUMENT IS PROPRIETARY TO E-SWITCH AND IS NOT TO BE COPIED OR TRANSFERRED

SCALE	DATE	DR	DWG	REV
2:1	11/18/04	AR	XF0614P	A