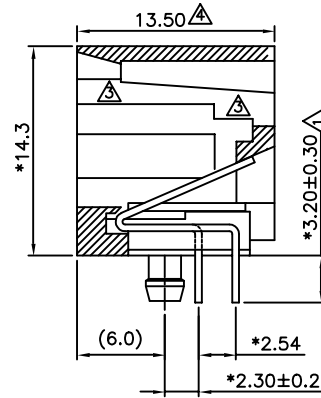
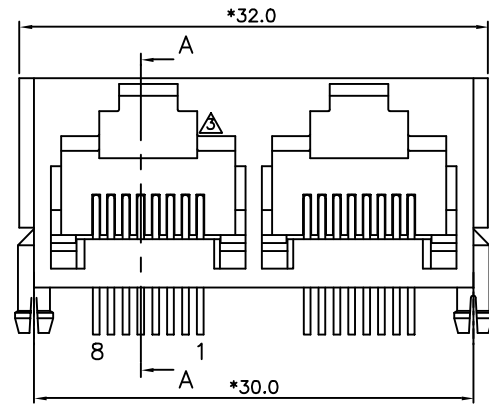
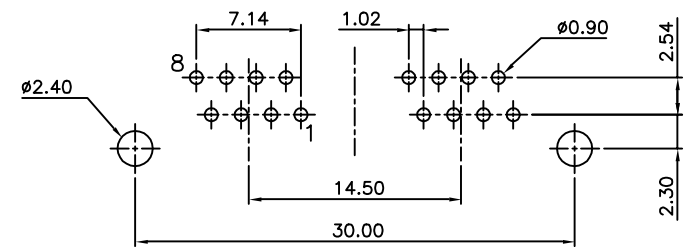
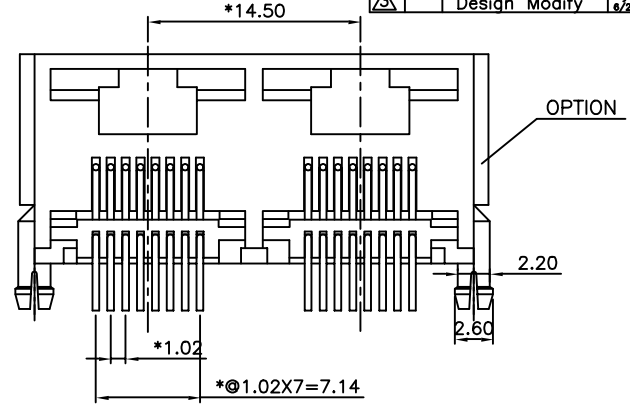


REVISION RECORD				
REV	ECO	DESCRIPTION	DRFT	CHKD
△		DIM MODIFY	PSP	
△		ADD PART NO.	02/01/02	
△		Design Modify	3/14/03	
			SYNGE	
			6/23/03	



SECTION A-A



PC Board Layout Component Side Shown

NOTES:

ELECTRICAL:

- VOLTAGE RATING : 125 VAC RMS.
- CURRENT RATING : 1.5 AMP.
- CONTACT RESISTANCE : 30 MILLIOHMS MAX.
- INSULATION RESISTANCE: 1000 MEGOHMS MIN @ 500 VDC.
- DIELECTRIC STRENGTH : 1000 VAC RMS 60Hz, 1MIN.

MECHANICAL:

- HOUSING MATERIAL : GLASS FILLED POLYESTER UL94V-0.
- CONTACT MATERIAL : PHOSPHOR BRONZE ϕ 0.46mm.
- PLATING : GOLD PLATING OVER NICKEL.
- OPERATING LIFE : 750 CYCLES MIN.
- PCB RETENTION PRE-SOLDER : 1 LB MIN.
- PCB RETENTION POST-SOLDER: 10 LBS MIN.

ENVIRONMENTAL:

- STORAGE : -40°C TO +85°C.
- OPERATION: 0°C TO 70°C.

MATES WITH MODULAR PLUG CONFORMING TO FCC PART 68, SUBPART F.

CUL FILE NO. E163191

PART NUMBER: E558X-20AXXX

NO. OF CONTACT:	1- 3u"	2- 6u"
2- 2C	3-15u"	4-30u"
4- 4C	5-50u"	6-Pd 20u"
6- 6C		
8- 8C		
5-A06-0080 BK	1- WITH PANEL STOP	
△ W-A06-1550 GREEN	2- W/O PANEL STOP	
△ D-A06-0600 GRAY		

← MM (INCH) →		DFTO SYANG	DATE 3/17/98
TOLERANCES EXCEPT AS NOTED		CHKD	DATE
		MFO	DATE
MM		APPVL XLF	DATE 2004/11/16
.0 ± 0.2	±	MATERIAL :	
.00 ± 0.15	±	QTY :	
.000 ± 0.075	±	FINISH :	
ANGLES ± 0.5		SCALE : 3 : 1	
THIRD ANGLE PROJECTION		DO NOT SCALE DRAWING	

FULL RISE ELECTRONIC CO., LTD			
TITLE			
MINI L/P DUAL PORT 8P			
DRAWING NO. GE553037		SIZE	REV
/PART NO. SEE NOTE		A3	5
SHEET		OF	