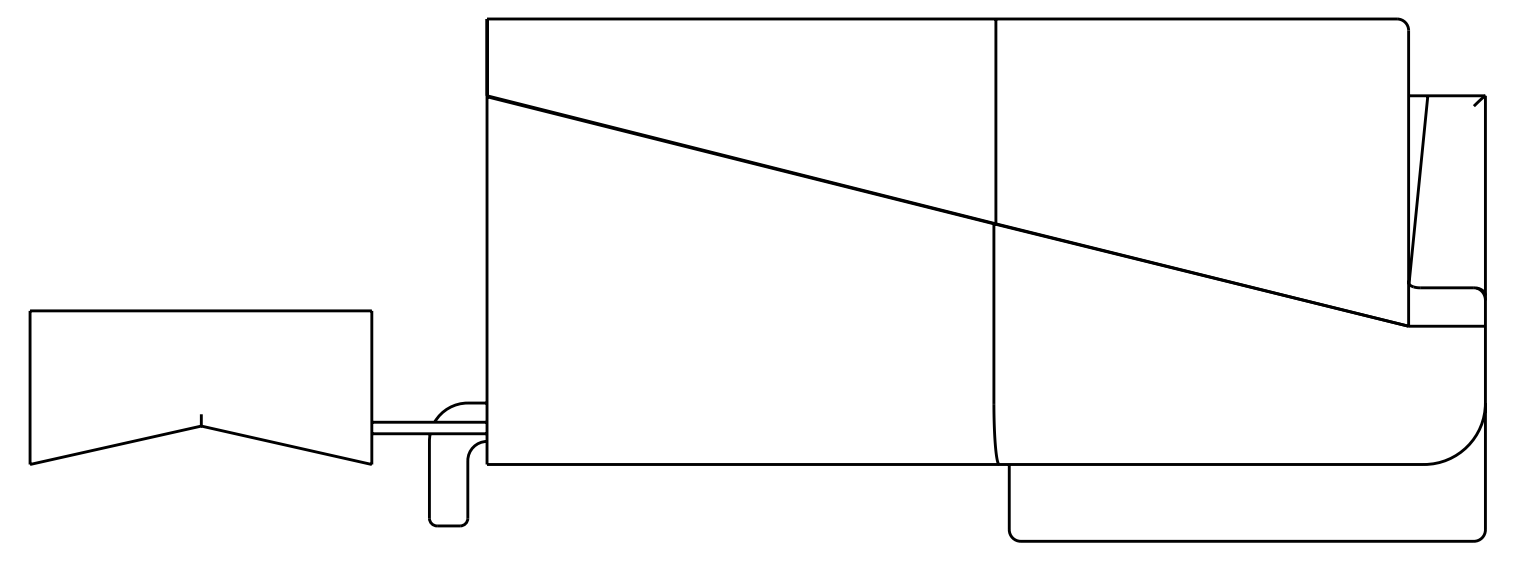
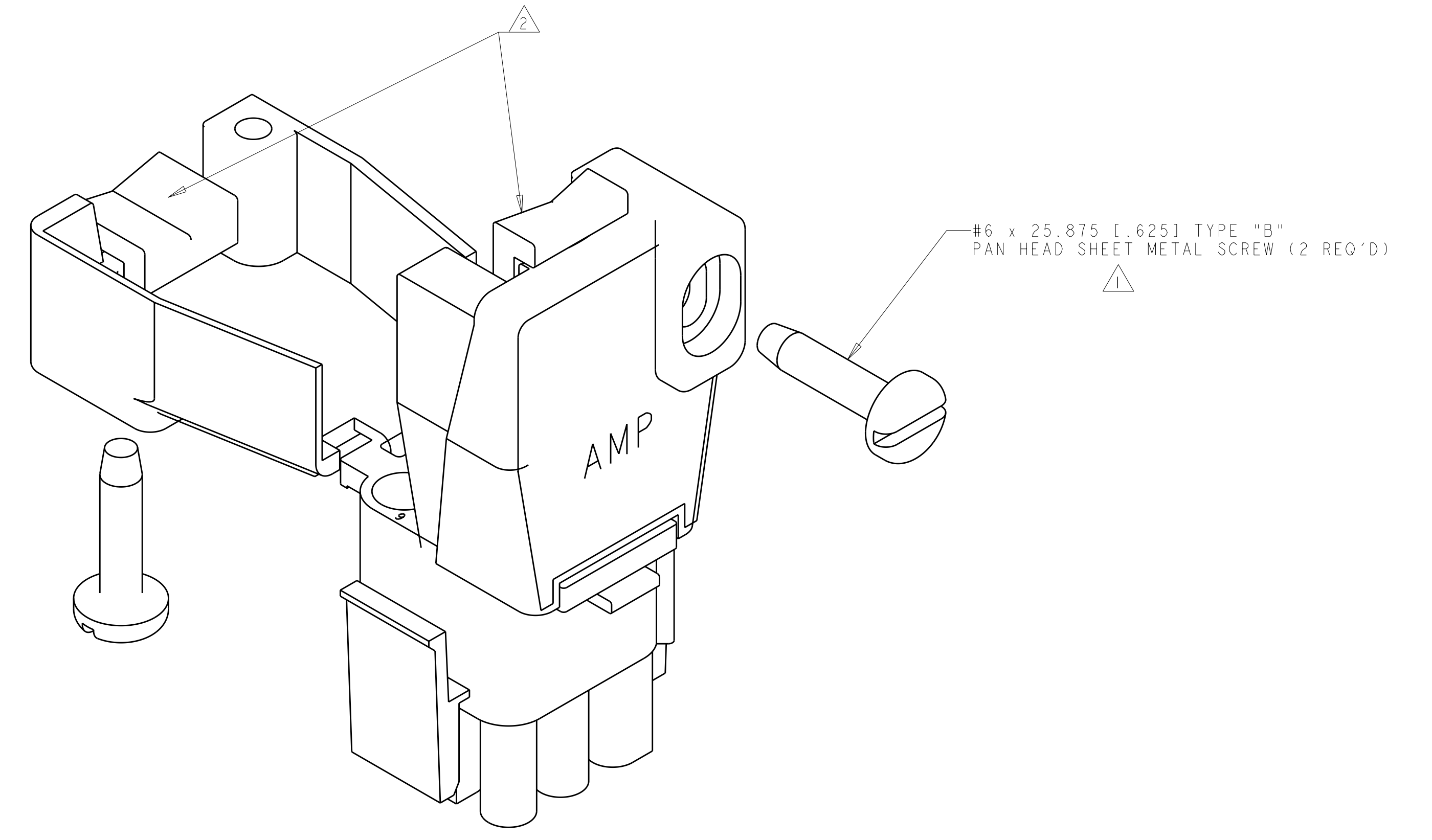
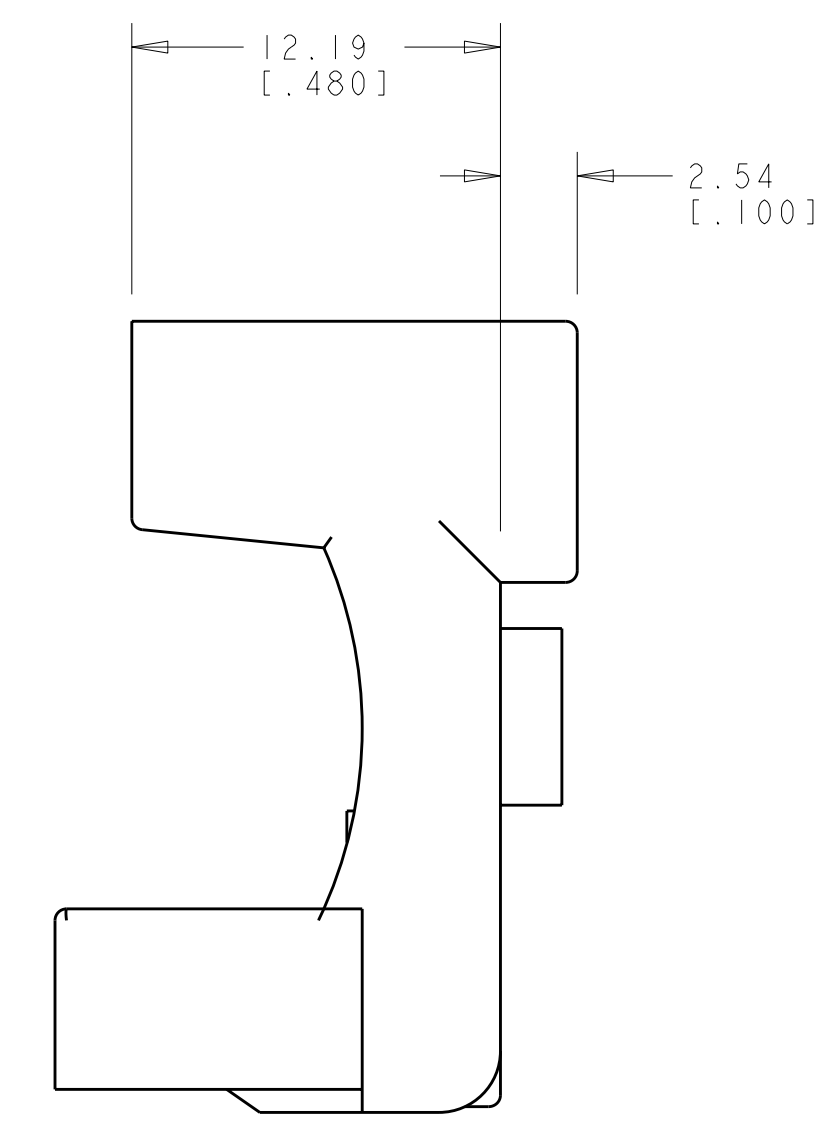
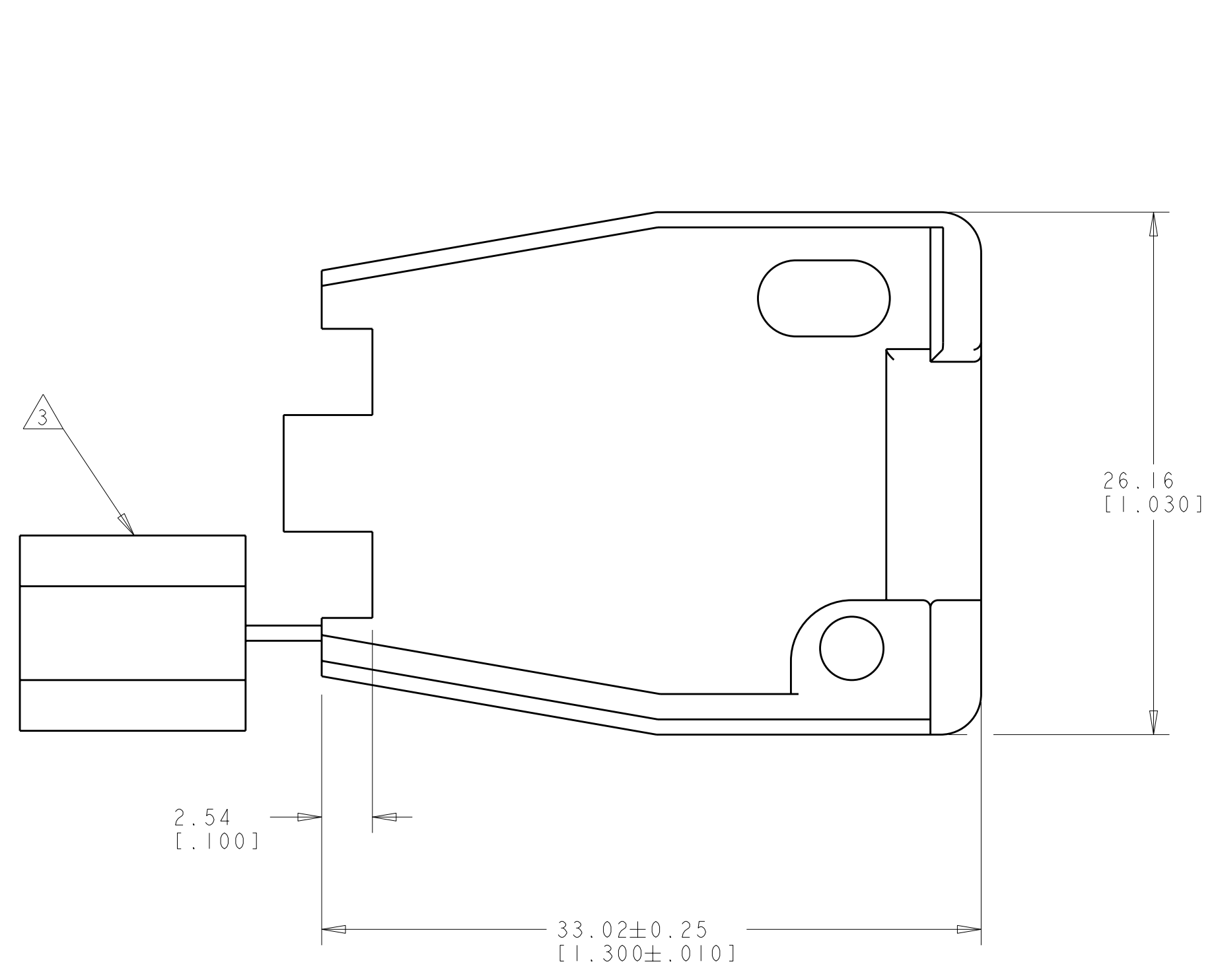


LOC	DIST	REVISIONS			
CM	00	REV	DATE	DWN	APVD
		D1	REVISED PER ECO-11-005027	18MAR2011	RK HMR

- 1. SHEET METAL SCREWS NOT SUPPLIED.
- 2. INSERT IS ATTACHED TO STRIN RELIEF AS AN ADDITIONAL ADJUSTMENT FOR SMALL WIRE BUNDLES. IT SHOULD BE CUT OFF AND POSTIONED AS SHOWN.
- 3. TWO REQUIRED PER CONNECTOR.
- 4. DETACHABLE INSERT MAY SEPARATE FROM STRAIN RELIEF BODY DURING SHIPPING.



COLOR	MATERIAL	PART NUMBER
BLACK	NYLON UL94V-2	1-640721-9
NATURAL	NYLON UL94V-2	1-640721-0



THIS DRAWING IS A CONTROLLED DOCUMENT.

DIMENSIONS: mm [INCHES]

TOLERANCES UNLESS OTHERWISE SPECIFIED:

9 PLC	±
7 PLC	±
5 PLC	±0.13 [1.005]
4 PLC	±
ANGLES	±
FINISH	#0°30'

MATERIAL: SEE TABLE

APPROVED: S. RIDGILL

DATE: 05DEC2003

NAME: STRAIN-RELIEF AND INSERT, 6 CIRCUIT, UNIVERSAL MATE-N-LOK(TM)

SIZE: A100779

CAGE CODE: C-640721

DRAWING NO: 100779

SCALE: 4:1

SHEET: 1 OF 1

REV: D1

CUSTOMER DRAWING