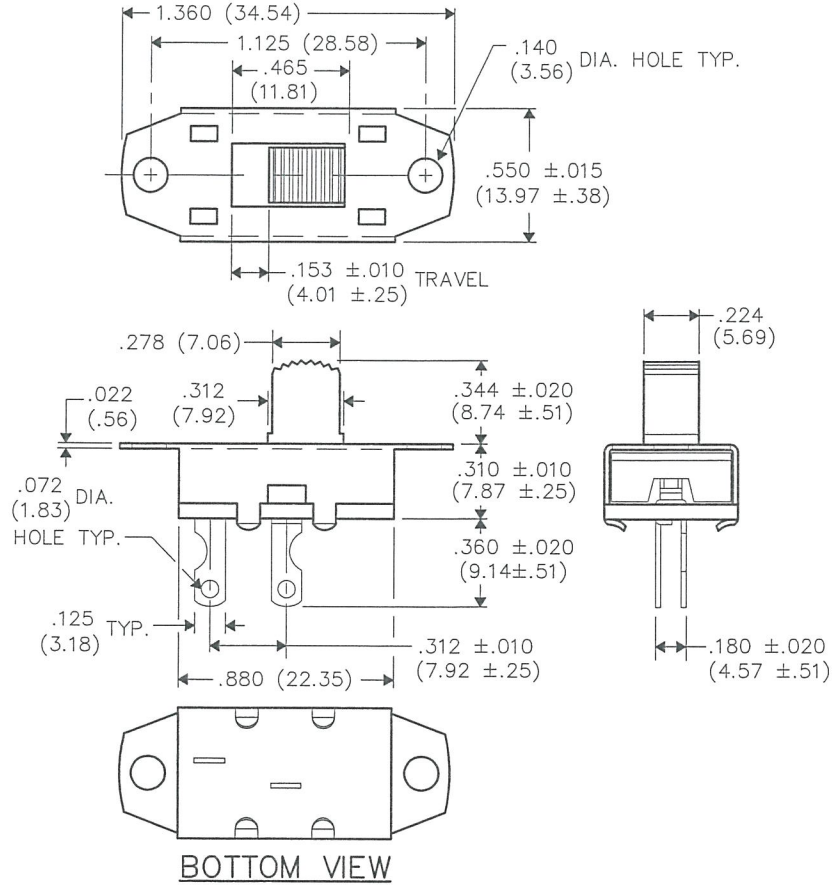


E
 D
 C
 B
 A

THIS INFORMATION IS CONFIDENTIAL AND PROPRIETARY TO CW INDUSTRIES INCORPORATED AND ITS AFFILIATES. IT MAY NOT BE DISCLOSED TO ANYONE OTHER THAN CW INDUSTRIES PERSONNEL, WITHOUT WRITTEN AUTHORIZATION FROM CW INDUSTRIES INCORPORATED, SOUTHAMPTON, PENNSYLVANIA USA.

DIMENSIONS IN INCHES (MILLIMETERS)
 DO NOT SCALE DRAWING

Dwg. No.
GF-423-0018



1 2 3 4 5 6 7 8 9 10

B-FORMAT 2002
REVISIONS
 RELEASED:
 DGW 7-15-13
JUL 19 2013

PDF MADE	CW INDUSTRIES Southampton, Pa. 18966 TOLERANCES UNLESS OTHERWISE SPECIFIED 2 Place Decimal ±.010 METRIC 3 Place Decimal ±.005 1 Place Dec. ±.25mm Angles ±1' 2 Place Dec. ±.13mm	Title: SWITCH ASSEMBLY S.P. - S.T.
	Made for: CW IND.	Division: SWITCH
	Drawn by: DGW 7-15-13	Dwg. No. GF-423-0018
	Checked by: <i>G. Guld 7-19-13</i> Approval: <i>G. Guld 7-19-13</i>	

MASTER