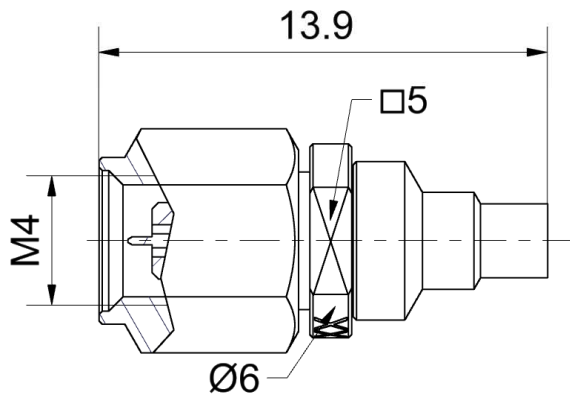
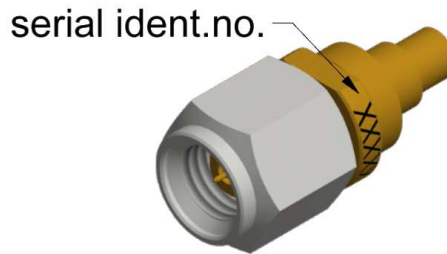


WSMP

Adaptor  
RPC-1.00 Plug to WSMP Plug

**W1S101-S00D3**



All dimensions are in mm; tolerances according to ISO 2768 m-H

**Interface**

RPC-1.00 according to  
WSMP according to

IEC 61169-31  
Rosenberger WSMP™ Interface standard

**Documents**

N/A

**Material and plating**

**Connector parts**

Center conductor  
Outer conductor  
Dielectric

**Material**

CuBe  
CuBe or equiv.  
PEEK

**Plating**

Gold, min. 1.27 µm, over nickel  
Gold, min. 1.27 µm, over nickel

Dieses Dokument ist urheberrechtlich geschützt • This document is protected by copyright • Rosenberger Hochfrequenztechnik GmbH & Co. KG

RF\_35/09;14/6.2

# Technical Data Sheet

# Rosenberger

WSMP

Adaptor  
RPC-1.00 Plug to WSMP Plug

**W1S101-S00D3**

## Electrical data

Impedance	50 Ω
Frequency	DC to 110 GHz
Return loss	≥ 17 dB, DC to 20 GHz ≥ 15 dB, 20 GHz to 50 GHz ≥ 12 dB, 50 GHz to 75 GHz ≥ 8 dB, 75 GHz to 110 GHz

## Mechanical data

### RPC-1.00

Mating cycles	≥ 500
Maximum torque	0.70 Nm
Recommended torque	0.41 Nm

### WSMP

Mating cycles	
- Full Detent mating jack	≥ 100
Engagement force (typical)	
- Full detent	2.5 lb <sub>f</sub> [11 N]
Disengagement force (typical)	
- Full detent	4.5 lb <sub>f</sub> [20 N]

## Environmental data

Operating temperature range <sup>1</sup>	+20 °C to +26 °C
Rated temperature range of use <sup>2</sup>	0 °C to +50 °C
Storage temperature range	-40 °C to +85 °C

RoHS compliant

<sup>1</sup> Temperature range over which these specification are valid.

<sup>2</sup> This range is underneath and above the operating temperature range, within the adaptor is fully functional and could be used without damage.

## Packing

Standard	1 pce in box
Weight	1.9 g/pce

While the information has been carefully compiled to the best of our knowledge, nothing is intended as representation or warranty on our part and no statement herein shall be construed as recommendation to infringe existing patents. In the effort to improve our products, we reserve the right to make changes judged to be necessary.

Draft	Date	Approved	Date	Rev.	Engineering change number	Name	Date
Marcel Panicke	07.03.17	Ronny Mark	04.05.17	b00	17-0669	Marcel Panicke	04.05.17
Rosenberger Hochfrequenztechnik GmbH & Co. KG P.O.Box 1260 D-84526 Tittmoning Germany www.rosenberger.de						Tel. : +49 8684 18-0 Email : info@rosenberger.de	
							Page 2 / 2