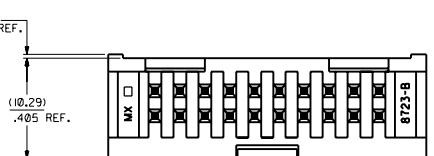
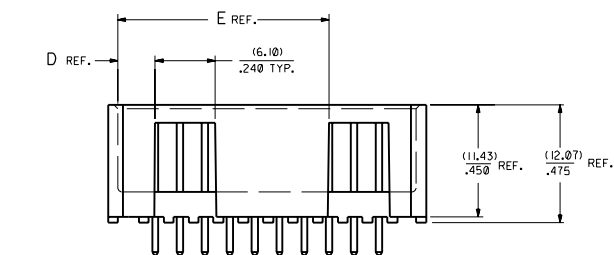
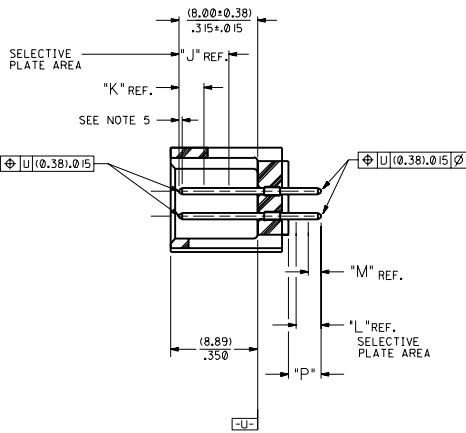
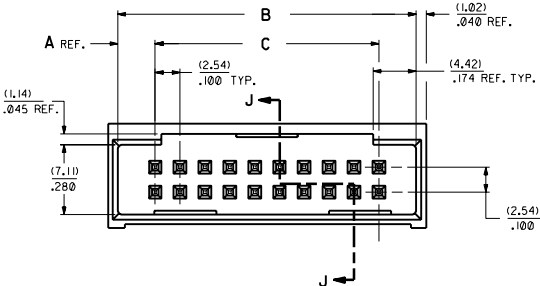
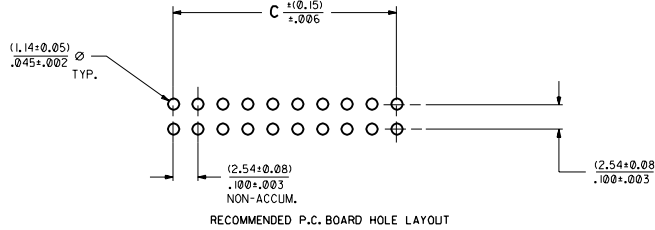
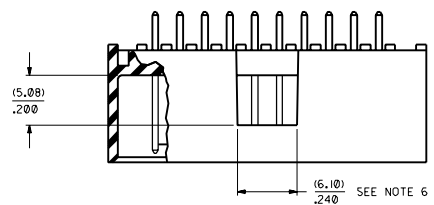


20 19 18 17 16 15 14 13 12 11 10 9 8 7 6 5 4 3 2 1



CKT.	DIM. 'A'	DIM. 'B'	DIM. 'C'	DIM. 'D'	DIM. 'E'
06	(3.81) .150	(12.70) .500	(5.08) .200	(3.81) .150	
08	(3.81) .150	(15.24) .600	(7.62) .300	(3.81) .150	
10	(3.81) .150	(17.78) .700	(10.16) .400	(6.35) .250	
12	(3.81) .150	(20.32) .800	(12.70) .500	(6.35) .250	
14	(3.81) .150	(22.86) .900	(15.24) .600	(8.89) .350	
16	(3.81) .150	(25.40) 1.000	(17.78) .700	(8.89) .350	
18	(3.81) .150	(27.94) 1.100	(20.32) .800	(11.43) .450	
20	(3.81) .150	(30.48) 1.200	(22.86) .900	(3.81) .150	(21.59) .850
22	(3.81) .150	(33.02) 1.300	(25.40) 1.000	(3.81) .150	(24.13) .950
24	(3.81) .150	(35.56) 1.400	(27.94) 1.100	(3.81) .150	(26.67) 1.050
26	(3.81) .150	(38.10) 1.500	(30.48) 1.200	(3.81) .150	(29.21) 1.150
28	(3.81) .150	(40.64) 1.600	(33.02) 1.300	(3.81) .150	(31.75) 1.250
30	(3.81) .150	(43.18) 1.700	(35.56) 1.400	(3.81) .150	(34.29) 1.350
32	(3.81) .150	(45.72) 1.800	(38.10) 1.500	(3.81) .150	(36.83) 1.450
34	(3.81) .150	(48.26) 1.900	(40.64) 1.600	(3.81) .150	(39.37) 1.550
36	(3.81) .150	(50.80) 2.000	(43.18) 1.700	(3.81) .150	(41.91) 1.650
38	(3.81) .150	(53.34) 2.100	(45.72) 1.800	(3.81) .150	(44.45) 1.750
40	(3.81) .150	(55.88) 2.200	(48.26) 1.900	(3.81) .150	(46.99) 1.850
42	(3.81) .150	(58.42) 2.300	(50.80) 2.000	(3.81) .150	(49.53) 1.950
44	(3.81) .150	(60.96) 2.400	(53.34) 2.100	(3.81) .150	(52.07) 2.050
46	(3.81) .150	(63.50) 2.500	(55.88) 2.200	(3.81) .150	(54.61) 2.150
48	(3.81) .150	(66.04) 2.600	(58.42) 2.300	(3.81) .150	(57.15) 2.250
50	(3.81) .150	(68.58) 2.700	(60.96) 2.400	(3.81) .150	(59.69) 2.350
52	(3.81) .150	(71.12) 2.800	(63.50) 2.500	(3.81) .150	(62.23) 2.450
54	(3.81) .150	(73.66) 2.900	(66.04) 2.600	(3.81) .150	(64.77) 2.550
56	(3.81) .150	(76.20) 3.000	(68.58) 2.700	(3.81) .150	(67.31) 2.650
58	(3.81) .150	(78.74) 3.100	(71.12) 2.800	(3.81) .150	(69.85) 2.750
60	(3.81) .150	(81.28) 3.200	(73.66) 2.900	(3.81) .150	(72.39) 2.850
62	(3.81) .150	(83.82) 3.300	(76.20) 3.000	(3.81) .150	(74.93) 2.950
64	(3.81) .150	(86.36) 3.400	(78.74) 3.100	(3.81) .150	(77.47) 3.050
66	(3.81) .150	(88.90) 3.500	(81.28) 3.200	(3.81) .150	(80.01) 3.150
68	(3.81) .150	(91.44) 3.600	(83.82) 3.300	(3.81) .150	(82.55) 3.250
70	(3.81) .150	(93.98) 3.700	(86.36) 3.400	(3.81) .150	(85.09) 3.350
72	(3.81) .150	(96.52) 3.800	(88.90) 3.500	(3.81) .150	(87.63) 3.450

NOTES:

- 1- 20 CIRCUIT SIZE SHOWN FOR ILLUSTRATION PURPOSES.
- 2- PIN PUSHOUT FORCE: (17.79 N)/4 LBS.
- 3- PINS MUST MEET SOLDERABILITY SPEC. MIL-STD-202 METHOD 208B.
- 4- FOR CHARTED DIMENSIONS AND ASSEMBLY N.O.S. NOT SHOWN ON THIS SHEET - SEE SHEET 4.
- 5- ROW TO ROW PIN HEIGHT VARIATION MUST NOT EXCEED (0.13)/.005 IN.
- 6- WINDOW NOT AVAILABLE ON 6 AND 8 CIRCUIT SIZE.
- 7- PRODUCT CONFORM TO PS-8723.

MATERIAL:

SHROUDED WAFER: 30% G.F. POLYESTER, 94V-0; COLOR: BLACK.
 PINS: PHOS. BRONZE 510,
 SEE SHEET 4 FOR FINISHES.

ASSEMBLY STYLES "C" AND "D"

R2	SEE SHEET 1
R	SEE SHEET 1
P	SEE SHEET 1
O	SEE SHEET 1
N	SEE SHEET 1

DIMENSIONS SHOWN IN METRIC UNLESS OTHERWISE SPECIFIED TO OTHERWISE INDICATED IN FOOT

PLATE	± .005	---
PLATE	± .01	± 0.13
PLATE	---	± 0.25

DATE: 10/15/82
 SCALE: 4:1

MFG. | SH. | REV. | LTR. | REVISIONS

TITLE: SALES ASSEMBLY
 WAFER-STRAIGHT MT. FULLY SHROUDED
 .100 GRID-FOR USE W/.025 SQ. PINS
 WITH .150 END WALLS

MOLEX INCORPORATED
 SHEET NO. 3
 DATE: 92/07/17

SEE CHART SDA-8723-*****

DA D

	20	19	18	17	16	15	14	13	12	11	8723	9	8	7	6	8723	4	3	2	1	
	ENGINEERING PART NUMBER A-8723-	RELEASE FOR MANUFACTURE		P REF.	PLATING TYPE	CONNECTOR END PLATING			P.C. BOARD END PLATING			PACKAGING INFORMATION	PLATING								
						TYPE	J LENGTH	K MEAS.	TYPE	L LENGTH	M MEAS.	PK-70873-	TIN .000150 MINIMUM TIN OVER .000050 MINIMUM NICKEL PLATE. 15 GOLD .000015 MINIMUM GOLD PLATE IN SELECTED AREA AND .000075 MINIMUM TIN IN SELECTED AREA OVER .000050 MINIMUM NICKEL OVER-ALL. 30 GOLD .000030 MINIMUM GOLD PLATE IN SELECTED AREA AND .000075 MINIMUM TIN IN SELECTED AREA OVER .000050 MINIMUM NICKEL OVER-ALL. 50 GOLD .000050 MINIMUM GOLD PLATE IN SELECTED AREA AND .000075 MINIMUM TIN IN SELECTED AREA OVER .000050 MINIMUM NICKEL OVER-ALL. *THE PRIMARY SHIPPING CARTON WILL BE LABELED "COMPLIANT TO ROHS DIRECTIVE 2002/95/EC AND ELV ANNEX II OF DIRECTIVE 2000/53/EC". CARTONS WITHOUT THIS LABEL MAY CONTAIN PRODUCT WITH LEAD.								
	06C164 / 72C164	RFM		(3,30) .130	TIN	TIN		(2,54) .100	TIN		(1,27) .050	0018									
	06D164 / 72D164	RFM		(5,08) .200	TIN	TIN		(2,54) .100	TIN		(1,27) .050	0018									
	06C571 / 72C571	RFM		(3,30) .130	15 GOLD	GOLD	(5,08) .200	(2,54) .100	TIN	(2,54) .100	(1,27) .050	0018									
	06D571 / 72D571	RFM		(5,08) .200	15 GOLD	GOLD	(5,08) .200	(2,54) .100	TIN	(2,54) .100	(1,27) .050	0018									
	06C574 / 72C574	RFM		(3,30) .130	30 GOLD	GOLD	(5,08) .200	(2,54) .100	TIN	(2,54) .100	(1,27) .050	0018									
	06D574 / 72D574	RFM		(5,08) .200	30 GOLD	GOLD	(5,08) .200	(2,54) .100	TIN	(2,54) .100	(1,27) .050	0018									
	06C596 / 72C596	RFM		(3,30) .130	50 GOLD	GOLD	(5,08) .200	(2,54) .100	TIN	(2,54) .100	(1,27) .050	0018									
	06D596 / 72D596	RFM		(5,08) .200	50 GOLD	GOLD	(5,08) .200	(2,54) .100	TIN	(2,54) .100	(1,27) .050	0018									
	06G164 / 72G164	RFM		(3,30) .130	TIN	TIN		(2,54) .100	TIN		(1,27) .050	0021									
	06H574 / 72H574	RFM		(3,30) .130	30 GOLD	GOLD	(5,08) .200	(2,54) .100	TIN	(2,54) .100	(1,27) .050	0021									

NO. OF CKTS	TIN		TIN		15 GOLD		15 GOLD		30 GOLD		30 GOLD		50 GOLD		50 GOLD		TIN		30 GOLD	
	EDP NUMBER	ENC NUMBER	EDP NUMBER	ENC NUMBER	EDP NUMBER	ENC NUMBER	EDP NUMBER	ENC NUMBER	EDP NUMBER	ENC NUMBER	EDP NUMBER	ENC NUMBER	EDP NUMBER	ENC NUMBER	EDP NUMBER	ENC NUMBER	EDP NUMBER	ENC NUMBER	EDP NUMBER	ENC NUMBER
06	15-42-6206	A-8723-06C164	15-42-6306	A-8723-06D164	15-29-6206	A-8723-06C571	15-29-6306	A-8723-06D571	15-41-7206	A-8723-06C574	15-41-7306	A-8723-06D574	A-8723-06C596	A-8723-06D596	15-42-6606	A-8723-06G164	15-42-6706	A-8723-06H574		
08	15-42-6208	A-8723-08C164	15-42-6308	A-8723-08D164	15-29-6208	A-8723-08C571	15-29-6308	A-8723-08D571	15-41-7208	A-8723-08C574	15-41-7308	A-8723-08D574	A-8723-08C596	A-8723-08D596	15-42-6608	A-8723-08G164	15-42-6708	A-8723-08H574		
10	15-42-6210	A-8723-10C164	15-42-6310	A-8723-10D164	15-29-6210	A-8723-10C571	15-29-6310	A-8723-10D571	15-41-7210	A-8723-10C574	15-41-7310	A-8723-10D574	A-8723-10C596	A-8723-10D596	15-42-6610	A-8723-10G164	15-42-6710	A-8723-10H574		
12	15-42-6212	A-8723-12C164	15-42-6312	A-8723-12D164	15-29-6212	A-8723-12C571	15-29-6312	A-8723-12D571	15-41-7212	A-8723-12C574	15-41-7312	A-8723-12D574	A-8723-12C596	A-8723-12D596	15-42-6612	A-8723-12G164	15-42-6712	A-8723-12H574		
14	15-42-6214	A-8723-14C164	15-42-6314	A-8723-14D164	15-29-6214	A-8723-14C571	15-29-6314	A-8723-14D571	15-41-7214	A-8723-14C574	15-41-7314	A-8723-14D574	A-8723-14C596	A-8723-14D596	15-42-6614	A-8723-14G164	15-42-6714	A-8723-14H574		
16	15-42-6216	A-8723-16C164	15-42-6316	A-8723-16D164	15-29-6216	A-8723-16C571	15-29-6316	A-8723-16D571	15-41-7216	A-8723-16C574	15-41-7316	A-8723-16D574	A-8723-16C596	A-8723-16D596	15-42-6616	A-8723-16G164	15-42-6716	A-8723-16H574		
18	15-42-6218	A-8723-18C164	15-42-6318	A-8723-18D164	15-29-6218	A-8723-18C571	15-29-6318	A-8723-18D571	15-41-7218	A-8723-18C574	15-41-7318	A-8723-18D574	A-8723-18C596	A-8723-18D596	15-42-6618	A-8723-18G164	15-42-6718	A-8723-18H574		
20	15-42-6220	A-8723-20C164	15-42-6320	A-8723-20D164	15-29-6220	A-8723-20C571	15-29-6320	A-8723-20D571	15-41-7220	A-8723-20C574	15-41-7320	A-8723-20D574	A-8723-20C596	A-8723-20D596	15-42-6620	A-8723-20G164	15-42-6720	A-8723-20H574		
22	15-42-6222	A-8723-22C164	15-42-6322	A-8723-22D164	15-29-6222	A-8723-22C571	15-29-6322	A-8723-22D571	15-41-7222	A-8723-22C574	15-41-7322	A-8723-22D574	A-8723-22C596	A-8723-22D596	15-42-6622	A-8723-22G164	15-42-6722	A-8723-22H574		
24	15-42-6224	A-8723-24C164	15-42-6324	A-8723-24D164	15-29-6224	A-8723-24C571	15-29-6324	A-8723-24D571	15-41-7224	A-8723-24C574	15-41-7324	A-8723-24D574	A-8723-24C596	A-8723-24D596	15-42-6624	A-8723-24G164	15-42-6724	A-8723-24H574		
26	15-42-6226	A-8723-26C164	15-42-6326	A-8723-26D164	15-29-6226	A-8723-26C571	15-29-6326	A-8723-26D571	15-41-7226	A-8723-26C574	15-41-7326	A-8723-26D574	A-8723-26C596	A-8723-26D596	15-42-6626	A-8723-26G164	15-42-6726	A-8723-26H574		
28	15-42-6228	A-8723-28C164	15-42-6328	A-8723-28D164	15-29-6228	A-8723-28C571	15-29-6328	A-8723-28D571	15-41-7228	A-8723-28C574	15-41-7328	A-8723-28D574	A-8723-28C596	A-8723-28D596	15-42-6628	A-8723-28G164	15-42-6728	A-8723-28H574		
30	15-42-6230	A-8723-30C164	15-42-6330	A-8723-30D164	15-29-6230	A-8723-30C571	15-29-6330	A-8723-30D571	15-41-7230	A-8723-30C574	15-41-7330	A-8723-30D574	A-8723-30C596	A-8723-30D596	15-42-6630	A-8723-30G164	15-42-6730	A-8723-30H574		
32	15-42-6232	A-8723-32C164	15-42-6332	A-8723-32D164	15-29-6232	A-8723-32C571	15-29-6332	A-8723-32D571	15-41-7232	A-8723-32C574	15-41-7332	A-8723-32D574	A-8723-32C596	A-8723-32D596	15-42-6632	A-8723-32G164	15-42-6732	A-8723-32H574		
34	15-42-6234	A-8723-34C164	15-42-6334	A-8723-34D164	15-29-6234	A-8723-34C571	15-29-6334	A-8723-34D571	15-41-7234	A-8723-34C574	15-41-7334	A-8723-34D574	A-8723-34C596	A-8723-34D596	15-42-6634	A-8723-34G164	15-42-6734	A-8723-34H574		
36	15-42-6236	A-8723-36C164	15-42-6336	A-8723-36D164	15-29-6236	A-8723-36C571	15-29-6336	A-8723-36D571	15-41-7236	A-8723-36C574	15-41-7336	A-8723-36D574	A-8723-36C596	A-8723-36D596	15-42-6636	A-8723-36G164	15-42-6736	A-8723-36H574		
38	15-42-6238	A-8723-38C164	15-42-6338	A-8723-38D164	15-29-6238	A-8723-38C571	15-29-6338	A-8723-38D571	15-41-7238	A-8723-38C574	15-41-7338	A-8723-38D574	A-8723-38C596	A-8723-38D596	15-42-6638	A-8723-38G164	15-42-6738	A-8723-38H574		
40	15-42-6240	A-8723-40C164	15-42-6340	A-8723-40D164	15-29-6240	A-8723-40C571	15-29-6340	A-8723-40D571	15-41-7240	A-8723-40C574	15-41-7340	A-8723-40D574	A-8723-40C596	A-8723-40D596	15-42-6640	A-8723-40G164	15-42-6740	A-8723-40H574		
42	15-42-6242	A-8723-42C164	15-42-6342	A-8723-42D164	15-29-6242	A-8723-42C571	15-29-6342	A-8723-42D571	15-41-7242	A-8723-42C574	15-41-7342	A-8723-42D574	A-8723-42C596	A-8723-42D596	15-42-6642	A-8723-42G164	15-42-6742	A-8723-42H574		
44	15-42-6244	A-8723-44C164	15-42-6344	A-8723-44D164	15-29-6244	A-8723-44C571	15-29-6344	A-8723-44D571	15-41-7244	A-8723-44C574	15-41-7344	A-8723-44D574	A-8723-44C596	A-8723-44D596	15-42-6644	A-8723-44G164	15-42-6744	A-8723-44H574		
46	15-42-6246	A-8723-46C164	15-42-6346	A-8723-46D164	15-29-6246	A-8723-46C571	15-29-6346	A-8723-46D571	15-41-7246	A-8723-46C574	15-41-7346	A-8723-46D574	A-8723-46C596	A-8723-46D596	15-42-6646	A-8723-46G164	15-42-6746	A-8723-46H574		
48	15-42-6248	A-8723-48C164	15-42-6348	A-8723-48D164	15-29-6248	A-8723-48C571	15-29-6348	A-8723-48D571	15-41-7248	A-8723-48C574	15-41-7348	A-8723-48D574	A-8723-48C596	A-8723-48D596	15-42-6648	A-8723-48G164	15-42-6748	A-8723-48H574		
50	15-42-6250	A-8723-50C164	15-42-6350	A-8723-50D164	15-29-6250	A-8723-50C571	15-29-6350	A-8723-50D571	15-41-7250	A-8723-50C574	15-41-7350	A-8723-50D574	A-8723-50C596	A-8723-50D596	15-42-6650	A-8723-50G164	15-42-6750	A-8723-50H574		
52	15-42-6252	A-8723-52C164	15-42-6352	A-8723-52D164	15-29-6252	A-8723-52C571	15-29-6352	A-8723-52D571	15-41-7252	A-8723-52C574	15-41-7352	A-8723-52D574	A-8723-52C596	A-8723-52D596	15-42-6652	A-8723-52G164	15-42-6752	A-8723-52H574		
54	15-42-6254	A-8723-54C164	15-42-6354	A-8723-54D164	15-29-6254	A-8723-54C571	15-29-6354	A-8723-54D571	15-41-7254	A-8723-54C574	15-41-7354	A-8723-54D574	A-8723-54C596	A-8723-54D596	15-42-6654	A-8723-54G164	15-42-6754	A-8723-54H574		
56	15-42-6256	A-8723-56C164	15-42-6356	A-8723-56D164	15-29-6256	A-8723-56C571	15-29-6356	A-8723-56D571	15-41-7256	A-8723-56C574	15-41-7356	A-8723-56D574	A-8723-56C596	A-8723-56D596	15-42-6656	A-8723-56G164	15-42-6756	A-8723-56H574		
58	15-42-6258	A-8723-58C164	15-42-6358	A-8723-58D164	15-29-6258	A-8723-58C571	15-29-6358	A-8723-58D571	15-41-7258	A-8723-58C574	15-41-7358	A-8723-58D574	A-8723-58C596	A-8723-58D596	15-42-6658	A-8723-58G164	15-42-6758	A-8723-58H574		
60	15-42-6260	A-8723-60C164	15-42-6360	A-8723-60D164	15-29-6260	A-8723-60C571	15-29-6360	A-8723-60D571	15-41-7260	A-8723-60C574	15-41-7360	A-8723-60D574	A-8723-60C596	A-8723-60D596	15-42-6660	A-8723-60G164	15-42-6760	A-8723-60H574		
62	15-42-6262	A-8723-62C164	15-42-6362	A-8723-62D164	15-29-6262	A-8723-62C571	15-29-6362	A-8723-62D571	15-41-7262	A-8723-62C574	15-41-7362	A-8723-62D574	A-8723-62C596	A-8723-62D596	15-42-6662	A-8723-62G164	15-42-6762	A-8723-62H574		
64	15-42-6264	A-8723-64C164	15-42-6364	A-8723-64D164	15-29-6264	A-8723-64C571	15-29-6364	A-8723-64D571	15-41-7264	A-8723-64C574	15-41-7364	A-8723-64D574	A-8723-64C596	A-8723-64D596	15-42-6664	A-8723-64G164	15-42-6764	A-8723-64H574		
66	15-42-6266	A-8723-66C164	15-42-6366	A-8723-66D164	15-29-6266	A-8723-66C571	15-29-6366	A-8723-66D571	15-41-7266	A-8723-66C574	15-41-7366	A-8723-66D574	A-8723-66C596	A-8723-66D596	15-42-6666	A-8723-66G164	15-42-6766	A-8723-66H574		
68	15-42-6268	A-8723-68C164	15-42-6368	A-8723-68D164	15-29-6268	A-8723-68C571	15-29-6368													