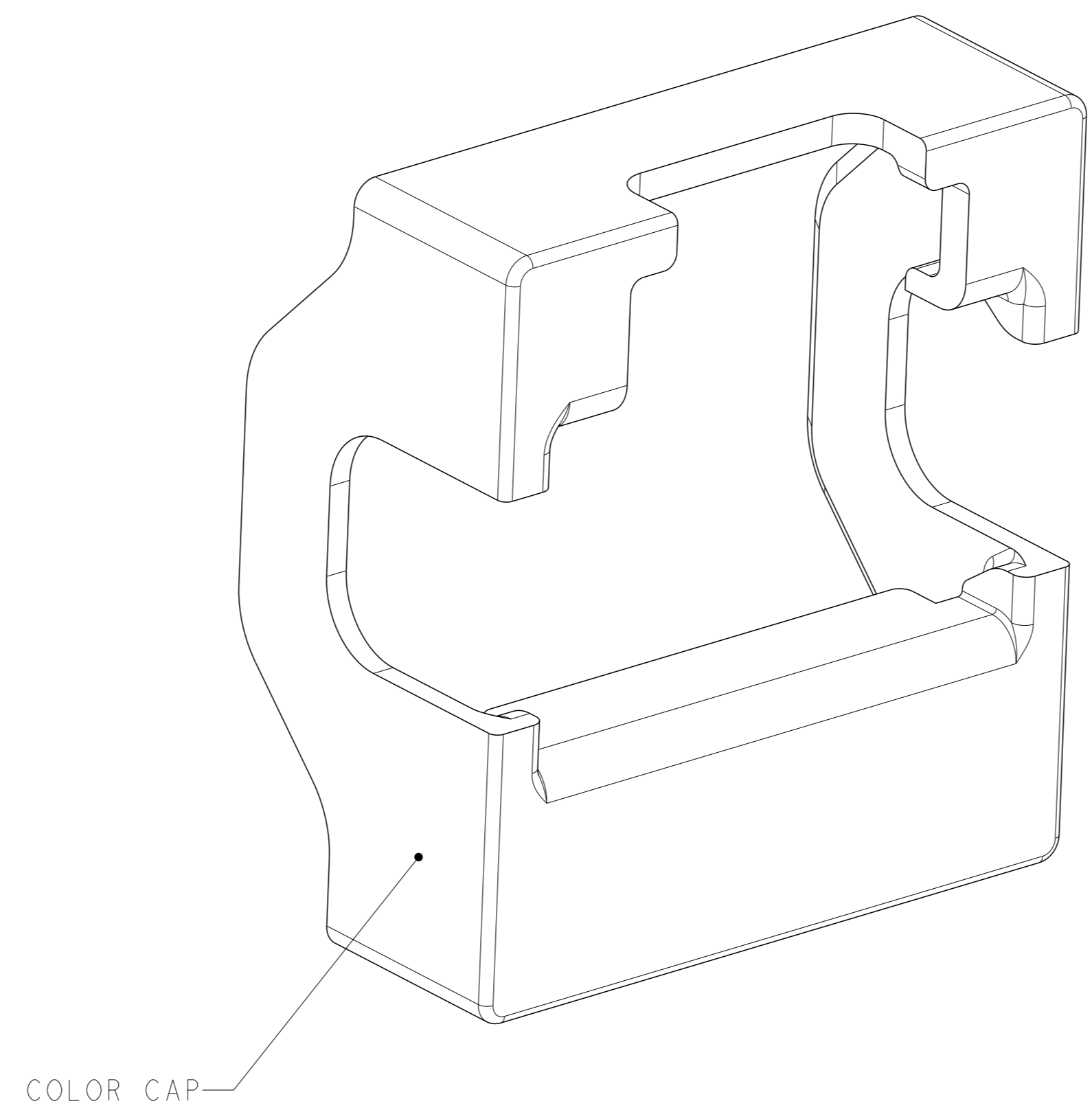


THIS DRAWING IS UNPUBLISHED. RELEASED FOR PUBLICATION 2012
 © 2016 COMMSCOPE, INC. CONFIDENTIAL NOTICE: THESE DRAWINGS AND SPECIFICATIONS ARE THE PROPRIETARY PROPERTY OF COMMSCOPE, INC. AND MAY BE USED ONLY FOR THE SPECIFIC PURPOSE AUTHORIZED IN WRITING BY COMMSCOPE, INC.

REVISIONS				
#	LT#	DESCRIPTION	DATE	OWN / APVD
B		REV: 40030175MCO	07JUN2016	GG / LS

- 1. MATERIAL: POLYCARBONATE, SEE TABLE FOR COLOR.
- 2. ROHS COMPLIANT.
- 3. MINIMUM ORDER QUANTITY = 50
PACKAGED 50 PIECES PER BAG.
- 4. USE WITH UTP AMP-TWIST MODULAR JACKS.



ALPINE WHITE	1-2111243-3
ELECTRIC IVORY	1-2111243-1
VIOLET	1-2111243-0
GREEN	2111243-9
YELLOW	2111243-8
RED	2111243-7
BLUE	2111243-6
ORANGE	2111243-5
GRAY	2111243-4
BLACK	2111243-2
LIGHT ALMOND	2111243-1
1. COLOR	PART NUMBER

THIS DRAWING IS A CONTROLLED DOCUMENT.		OWN G. GARRETT 19JUL2012	COMMSCOPE, INC.	
DIMENSIONS:		CHK S. JONES 19JUL2012	NAME COLOR CAP, AMP-TWIST JACK	
mm	TOLERANCES UNLESS OTHERWISE SPECIFIED:	APVD S. JONES 19JUL2012	PRODUCT SPEC	
	0 PLC ±		APPLICATION SPEC	
	1 PLC ±		SIZE CAGE CODE DRAWING NO	
	2 PLC ±		RESTRICTED TO	
	3 PLC ±		A 100779C=2111243	
	4 PLC ±		SCALE 10:1 SHEET 1 OF 1 REV B	
	ANGLES FINISH		WEIGHT	
			CUSTOMER DRAWING	