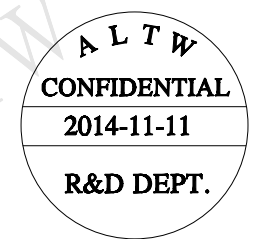
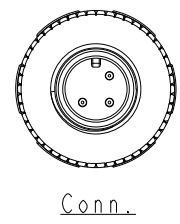
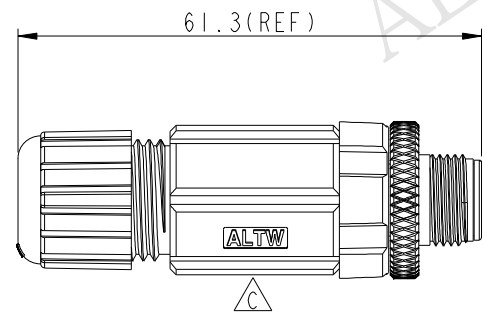
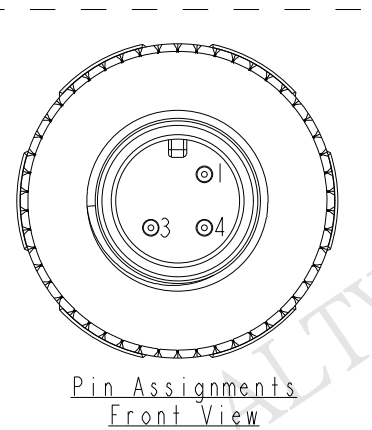
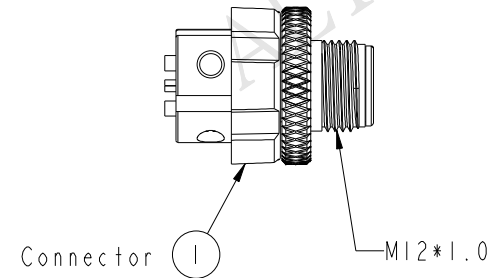
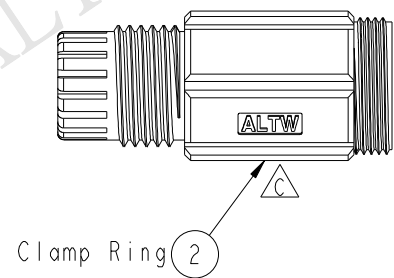
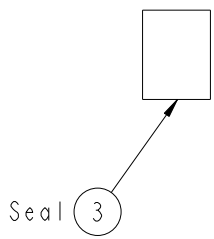
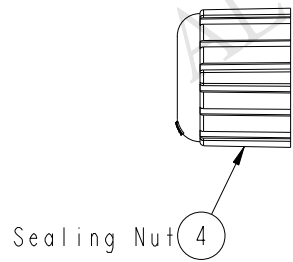


REV.	ECN NO.	DATE	SIGN	DESCRIPTION
B	LEN1350064	2013/04/29	Ruru	Modify Seals Cable OD
C	LEN14B0300	2014/11/11	Jinhai	Change Conn Material & Change Logo



- Note:
- * (C) Important Dimension.
 - * Waterproof Rate: IP67
 - * Connector: PP, Black
 - * Male Pin: Copper Alloy, Gold Plated
 - * O-Ring: EPDM, Black
 - * Holder: Nylon+GF, Black
 - * Clamp Ring: Nylon66, Black
 - * Gasket: EPDM, Black
 - * Sealing Nut: Nylon66, Black
 - * Screw Nut: Brass, Nickel Plated
 - * Seals For Cable OD $\varnothing 4.5\text{mm} \sim \varnothing 6.5\text{mm}$
 - * Temperature Range: $-40^{\circ}\text{C} \sim +85^{\circ}\text{C}$

UNIT:mm		
TOLERANCE		
.X	± 0.25	
.XX	± 0.1	
.XXX	± 0.05	
ANGLES	$\pm 1^{\circ}$	

TITLE M12 Screw In Male Conn. 3Pin A Code			
SCALE 1:1	SIZE A4	SHEET 1 OF 1	
REV. C	WC-REV. B.2	QC: Inspection item	

Amphenol LTW
安費諾亮泰企業股份有限公司

ITEM NO 12-03BMMB-SL7001	DRAWN BY Jinhai	DATE 2014-11-11
DWG NO 12-03BMMB-SL7001	CHECKED BY Tom	DATE 2014-11-11
CUSTOMER ALTW	APPROVED BY Jerry	DATE 2014-11-11

THIS DOCUMENT IS SUBJECT TO CHANGE WITHOUT NOTICE. IT IS CONFIDENTIAL AND A PROPERTY OF Amphenol LTW. DISCLOSURE TO THIRD PARTY HAS TO BE AUTHORIZED BY Amphenol LTW.