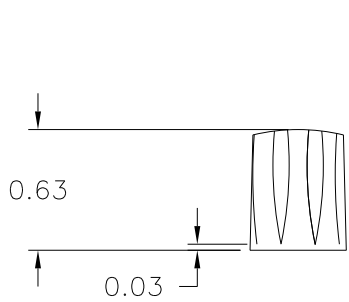
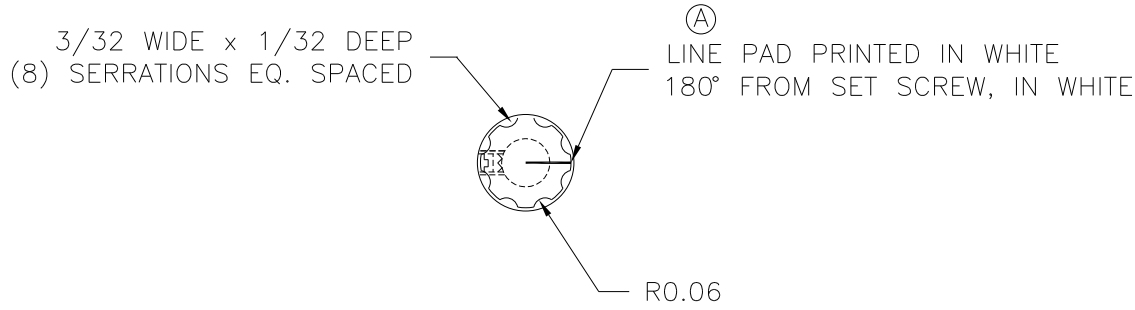


PART NAME: KNOB      SCALE: 1:1      DATE: 3/20/96      DR. BY TD

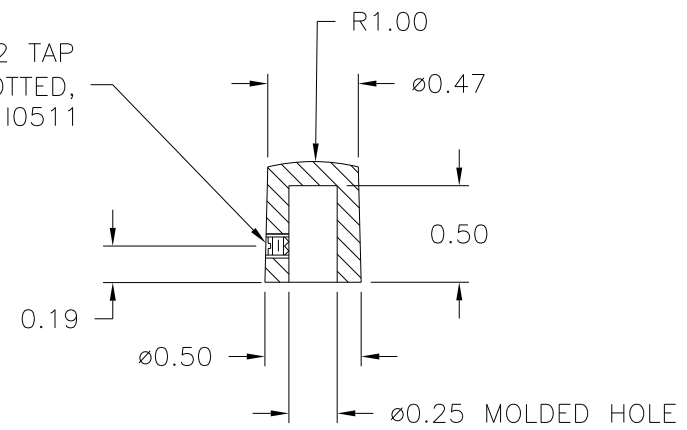
DAVIES MOLDING COMPANY  
CAROL STREAM, ILLINOIS 60188

P/N 1900-H	
BASE PART	1900-03
SET SCREW	I0511
BRAND	TF-0811

THIS DRAWING IS THE PROPERTY OF DAVIES MOLDING COMPANY, IS SUBMITTED SOLELY AS A DESIGN OR ENGINEERING PROJECT. WE ACCEPT NO RESPONSIBILITY WHATSOEVER FOR THE PRACTICAL APPLICATION OF THE PIECES MADE TO THIS DESIGN.



USE #36 DRILL(ø1065), 6-32 TAP  
6-32 X 1/8, CUP POINT, SLOTTED,  
SET SCREW, I0511



MATERIAL: G.P. PHENOLIC (B11)  
COLOR: BLACK

TOLERANCES: UNLESS OTHERWISE SPECIFIED	DO NOT SCALE DRAWING			
DECIMALS: X.XXX ± .005 X.XX ± .015	MM: X.XX ± 0.15MM X.X ± 0.4MM	A	PAD PRINT WAS BRAND OPERATION	DS 6/5/06
FRACTIONS ± 1/64	ANG. ± 1°	-	UPDATED/HAD TOOLBOX	EV. 8/12/02
CHANGES				