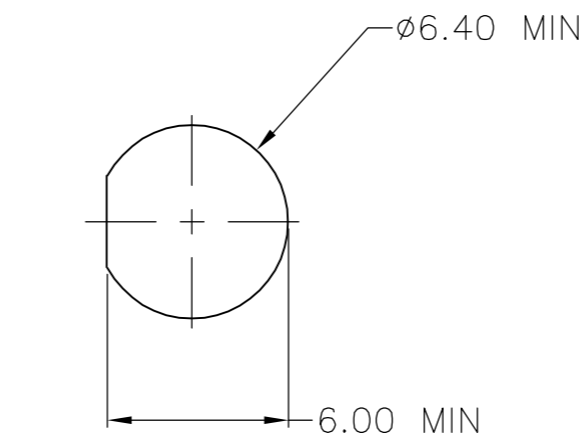
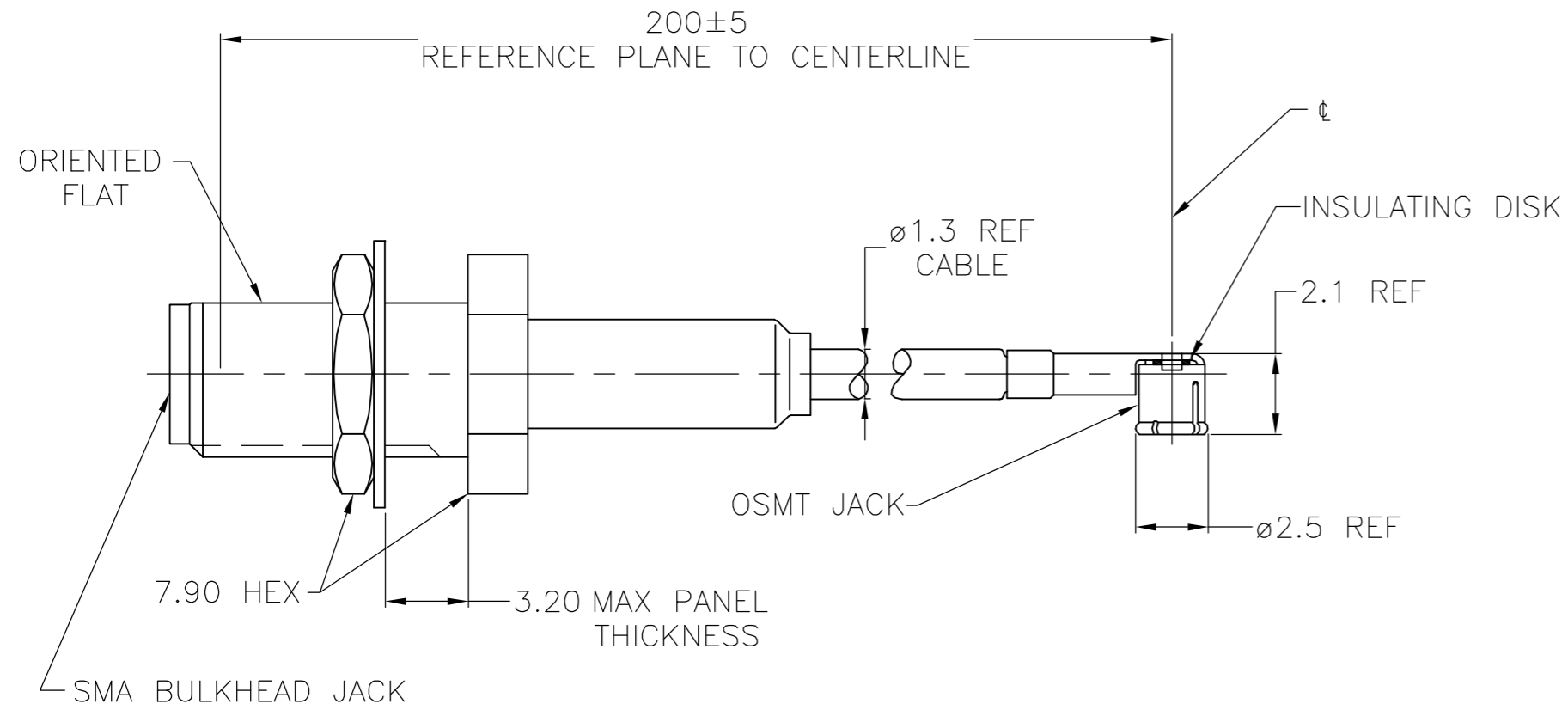


THIS DRAWING IS UNPUBLISHED. RELEASED FOR PUBLICATION  
 © COPYRIGHT BY TYCO ELECTRONICS CORPORATION. ALL RIGHTS RESERVED.

LOC	DIST	REVISIONS			
P	LTR	DESCRIPTION	DATE	DWN	APVD
AJ	17	B	REVISED PER EC OS14-0098-05	11MAY2006	KS KW



RECOMENDED MOUNTING HOLE

1. PERFORMANCE SHOWN FOR SSMT CONNECTOR AND CABLE ONLY.  
 FOR CABLE ASSEMBLY DATA CONSULT FACTORY.

COMPONENT	MATERIAL	FINISH
<b>SMA CONNECTOR</b>		
HOUSING & COUPLING NUT	STAINLESS STEEL	PASSIVATE
CENTER CONTACT	BERYLLIUM COPPER	GOLD PLATE
INNER CONTACT	BERYLLIUM COPPER	GOLD PLATE
DIELECTRIC	TETRAFLUOROETHYLENE (TFE)	N/A
RETAINING RING	BERYLLIUM COPPER	N/A
GASKET	SILICONE RUBBER	N/A
FERRULE	COPPER OR BRASS	NICKEL PLATE
SHRINK TUBING	HEAT SHRINKABLE POLYOLEFIN COMPOUND	N/A
<b>SSMT CONNECTOR</b>		
OUTER CONTACT	BERYLLIUM COPPER	GOLD PLATE OVER NICKEL PLATE
CENTER CONTACT	BERYLLIUM COPPER	GOLD PLATE OVER NICKEL PLATE
DIELECTRIC	POLYPROPYLENE, GF	N/A
<b>CABLE</b>		
JACKET	FLUORINATED ETHYLENE PROPYLENE (FEP)	N/A
SHIELD	COPPER WIRE, 44 AWG	SILVER PLATED
DIELECTRIC	POLYTETRAFLUOROETHYLENE (PTFE)	N/A
CENTER CONDUCTOR	COPPER CLAD STEEL, 30 AWG	SILVER PLATED
INSULATING DISK	POLYESTER	N/A

1064553-1  
 PART NUMBER

ELECTRICAL	
FREQUENCY	DC - 6 GHz
NOMINAL IMPEDENCE	50 OHMS
VOLTAGE RATING	250 VOLTS (VRMS MAX) @ SEA LEVEL
VSWR (MATED CONNECTORS ONLY)	1.20:1 MAX @ 2 GHz 1.40:1 MAX @ 6 GHz
INSULATION RESISTANCE	1,000 MEGOHMS MIN @ 250 VDC
DIELECTRIC WITHSTANDING VOLTAGE	500 VOLTS (VRMS MIN) @ SEA LEVEL
MECHANICAL	
CONNECTOR DURABILITY	100 MATING CYCLES
ENVIRONMENTAL	
TEMPERATURE RATING	-40°C(-40°F) TO +125°C(257°F)

PRODUCT SPEC

THIS DRAWING IS A CONTROLLED DOCUMENT.		DWN DK SCHRUM 11MAY2006	Tyco Electronics Corporation Harrisburg, PA 17105-3608	
DIMENSIONS: mm		CHK KE WEIDNER 11MAY2006		
TOLERANCES UNLESS OTHERWISE SPECIFIED:		APVD KE WEIDNER 11MAY2006	NAME	
0 PLC ± - 1 PLC ± - 2 PLC ± - 3 PLC ± - 4 PLC ± - ANGLES ± -		PRODUCT SPEC	SSMT RIGHT ANGLE JACK TO SMA BULKHEAD JACK INTERSERIES CABLE ASSEMBLY	
MATERIAL		APPLICATION SPEC	SIZE A2	CAGE CODE 00779
FINISH		WEIGHT -	DRAWING NO C=1064553	RESTRICTED TO -
CUSTOMER DRAWING			SCALE 4:1	SHEET 1 OF 1
			REV B	