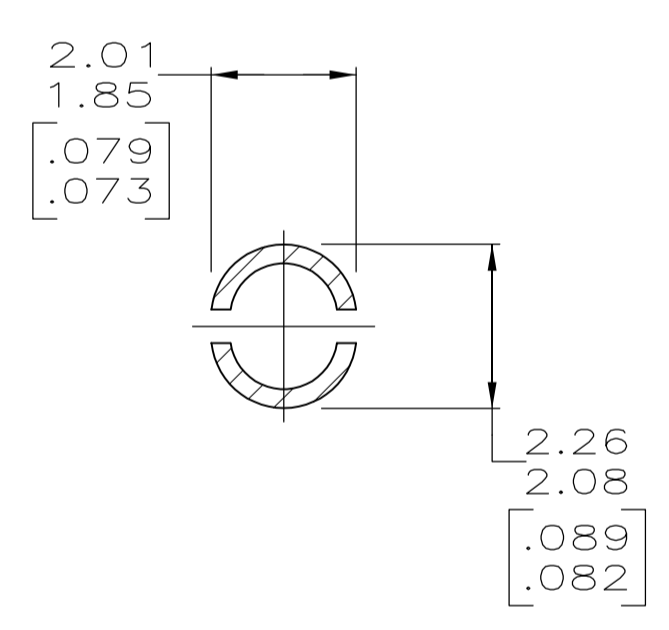
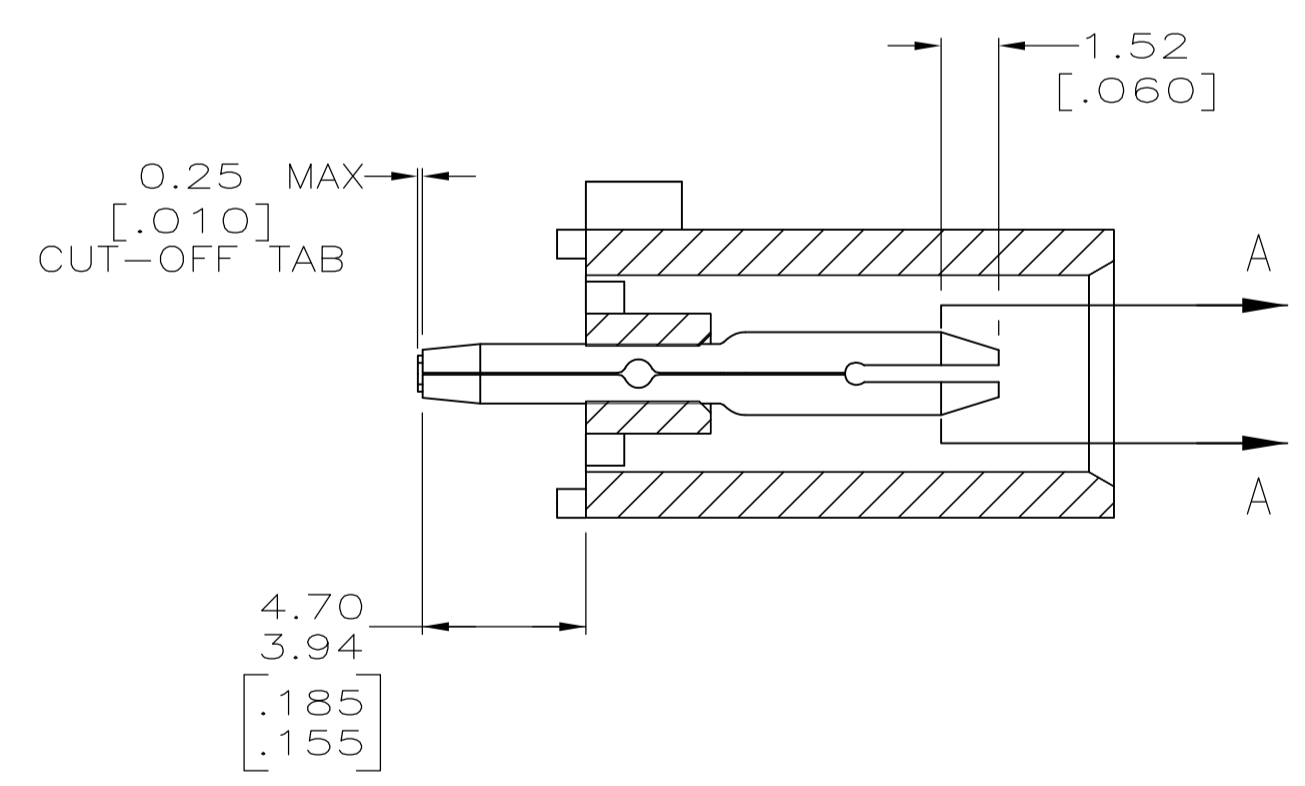
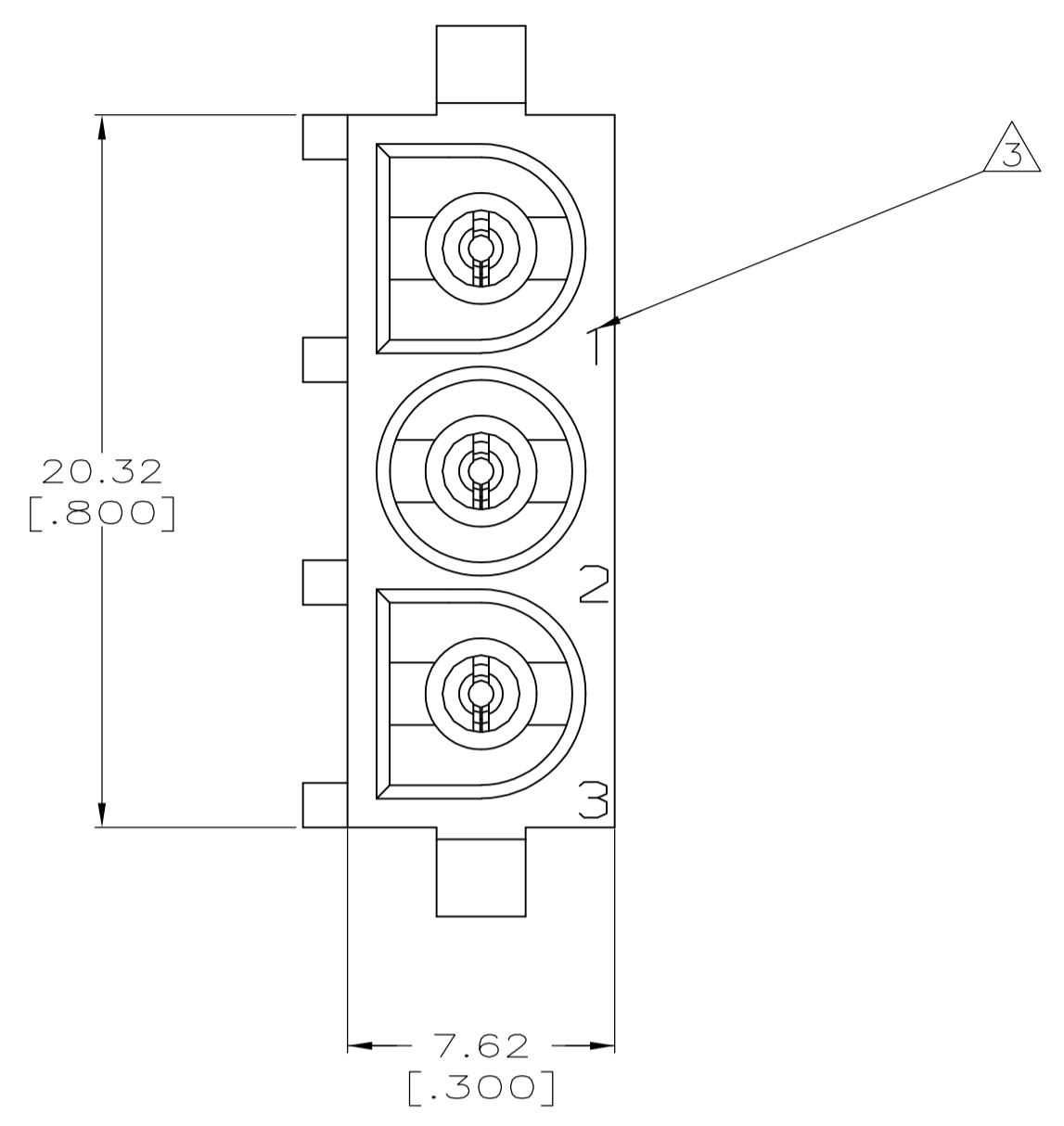
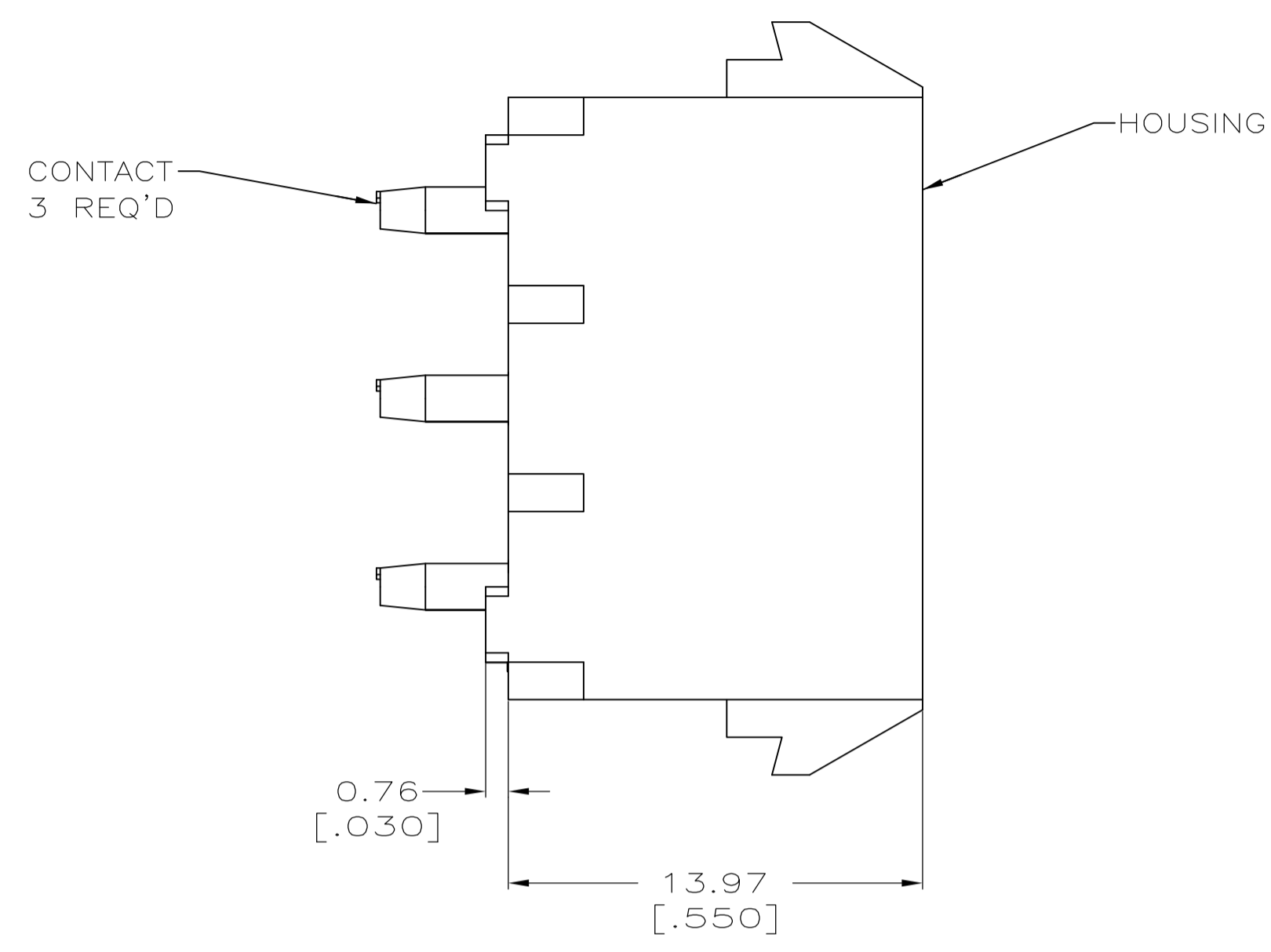
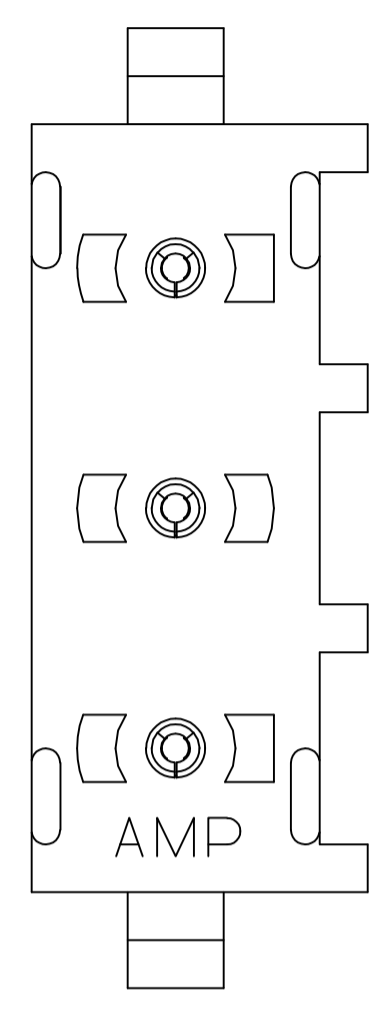
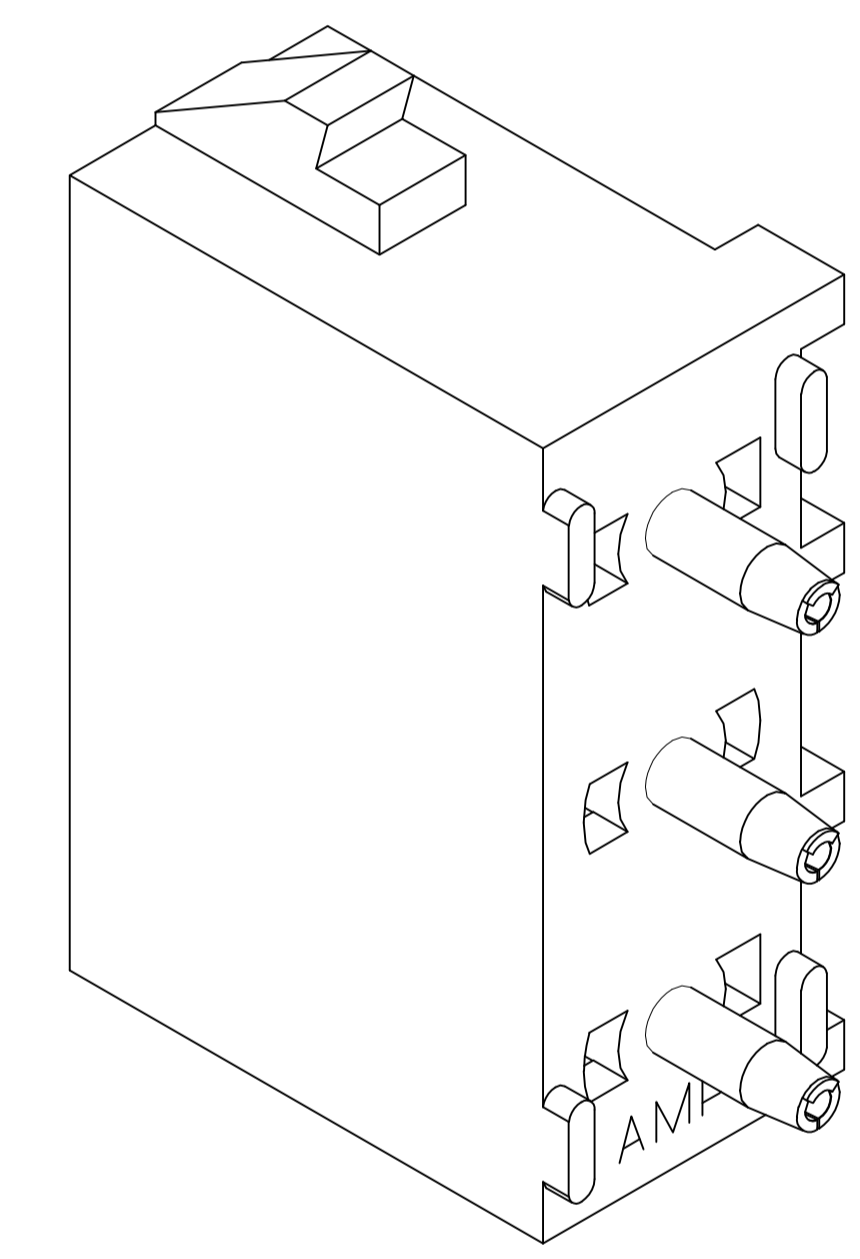


LOC		DIST		REVISIONS			
P	LTR	DESCRIPTION	DATE	DMN	APVD		
B		REV PER ECR 10-018921	14SEPT10	JR	TM		

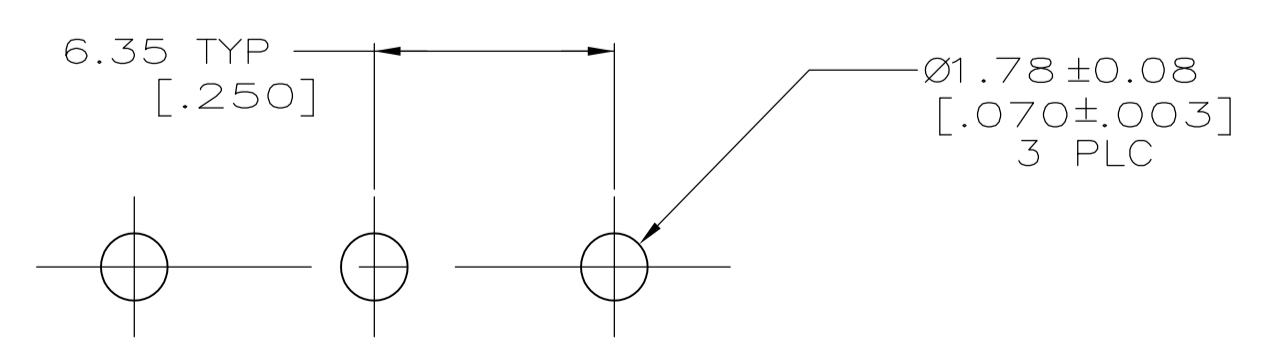


SECTION A-A  
SCALE 10:1



3-DIMENSIONAL MODEL  
NTS

- PARTS COMPLY TO AMP SOLDERABILITY SPECIFICATION 109-11-3.
- DIMENSIONS IN BRACKETS ARE IN INCHES.
- CIRCUIT IDENTIFICATION CHARACTERS ARE ADJACENT TO THE INDICATED CAVITIES, BUT LOCATION AND ORIENTATION MAY DIFFER FROM PRINT.
- FLAMMABILITY V2 FOR THICKNESS 0.38mm, 1.5mm, and 3.0mm PER IEC 60695-11-10.
- GLOW-WIRE FLAMMABILITY (GWI) 800°C FOR THICKNESS 0.38mm AND 0.75mm PER IEC 60695-2-12.
- GLOW-WIRE FLAMMABILITY (GWI) 960°C FOR THICKNESS 1.5mm AND 3.0mm PER IEC 60695-2-12.
- GLOW-WIRE IGNITION (GWIT) 825°C FOR THICKNESS 0.38mm, 0.75mm, 1.5mm AND 3.0mm PER IEC 60695-2-13.



RECOMMENDED MOUNTING HOLE PATTERN  
FOR 1.57 [.062] THICK P.C. BOARD

PHOSPHOR BRONZE, PRE-TIN	NYLON, UL94V-2,NATURAL	1586958-1
PIN CONTACT MATERIAL AND FINISH	HOUSING MATERIAL	PART NUMBER

**METRIC**

THIS DRAWING IS A CONTROLLED DOCUMENT.		DIN K. WHITAKER 26JUL2007	Tyco Electronics Corporation Greensboro, NC 27409
DIMENSIONS: mm [INCHES]		CHK D. COLEY 26JUL2007	
TOLERANCES UNLESS OTHERWISE SPECIFIED:		APP'D D. COLEY 26JUL2007	NAME
0 PLC ± -			PIN HEADER ASSEMBLY, 3 CIRCUIT
1 PLC ± -			UNIVERSAL MATE-N-LOK(TM)
2 PLC ± 0.13 [.005]			APPLICATION SPEC
3 PLC ± -			SIZE
4 PLC ± -			SCALE
ANGLES ± 0°30'			WEIGHT
MATERIAL SEE TABLE	FINISH SEE TABLE	RESTRICTED TO	
CUSTOMER DRAWING		SCALE 5:1	SHEET 1 OF 1
		DRAWING NO. A1 00779	REV B
		C=1586958	