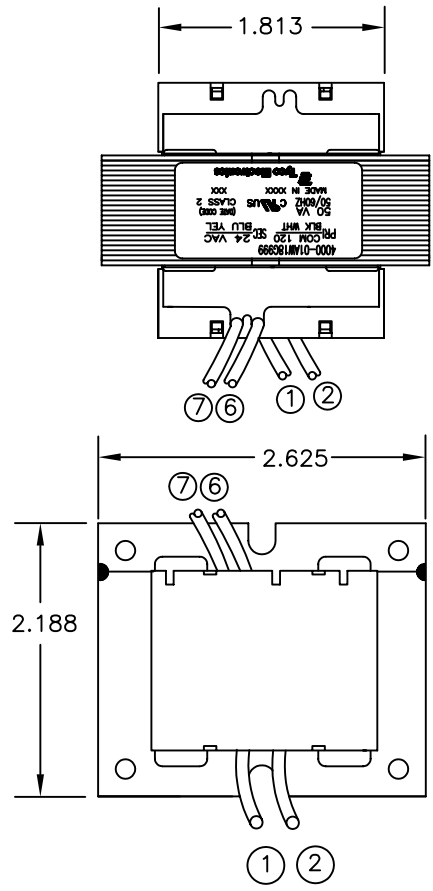
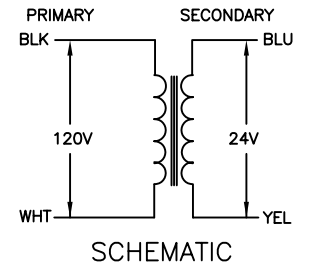
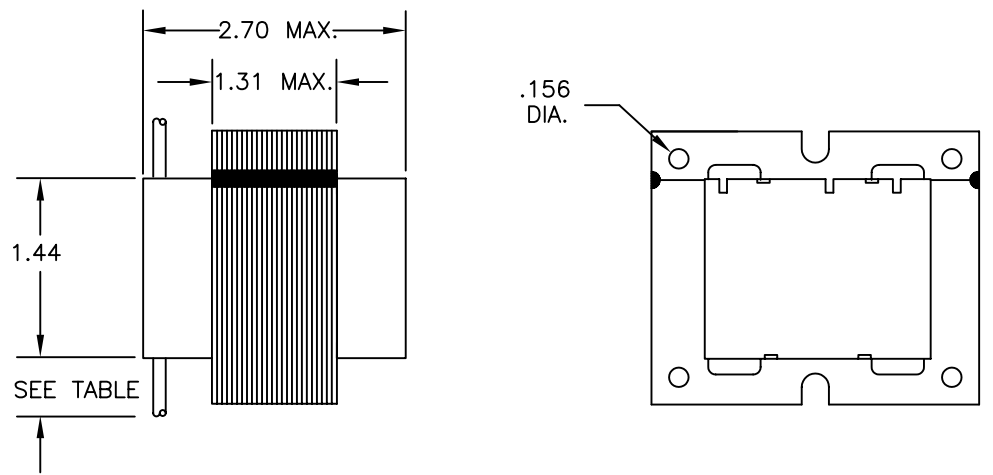


THIS DRAWING IS UNPUBLISHED. RELEASED FOR PUBLICATION
 © COPYRIGHT BY TYCO ELECTRONICS CORPORATION. ALL RIGHTS RESERVED.

LOC		DIST		REVISIONS					
GZ		00		P	LTR	DESCRIPTION	DATE	DWN	APVD
				A		NPR-PU08-039	14APR08	KH	HT



ALL LEADS 18AWG--UNLESS OTHERWISE SPECIFIED				NOTES		CERTIFICATION: UL/CUL FILE NO. E87824			
PRIMARY				1. DIMENSIONS FOR REFERENCE ONLY.		SECONDARY			
LEAD NO.	1	2		2. ALL LEADS +1"/-0" TOL.		LEAD NO.	6	7	
VOLTAGE	COM	120		3. STRIP TOL. ±1/32		VOLTAGE	24	VAC	
COLOR	BLK	WHT		4. WINDING PROTECTION--INHERENTLY LIMITING		COLOR	BLU	YEL	
LENGTH	12.0	12.0				LENGTH	12.0	12.0	
STRIP LENGTH	.50	.50				STRIP LENGTH	.50	.50	



TYCO ELECTRONICS PART NUMBER
4-1672014-4

THIS DRAWING IS A CONTROLLED DOCUMENT.		DWN	K.H.	14APR08	Tyco Electronics Corporation Harrisburg, PA 17105-3608
DIMENSIONS: INCHES		CHK	DH	14APR08	
TOLERANCES UNLESS OTHERWISE SPECIFIED:		APVD	HT	14APR08	
0 PLC ± - 1 PLC ± - 2 PLC ± .01 3 PLC ± .005 4 PLC ± - ANGLES ± -		PRODUCT SPEC		NAME	
MATERIAL		APPLICATION SPEC		TRANSFORMER OUTLINE P.U. STOCK	
FINISH		WEIGHT		SIZE	RESTRICTED TO
-		-		A3	
		CUSTOMER DRAWING		CAGE CODE	DRAWING NO
				00779	C=4000-01AW18G999
		SCALE		SHEET	REV
		1:1		1 of 1	A