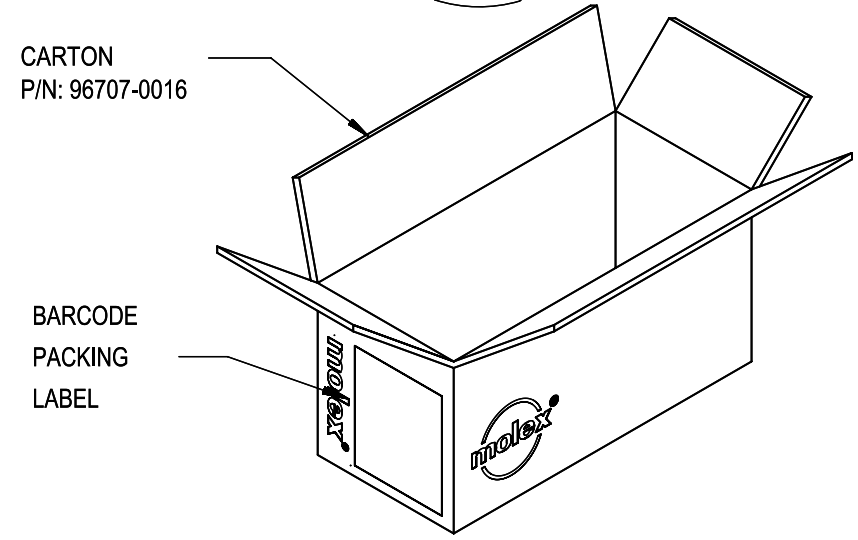
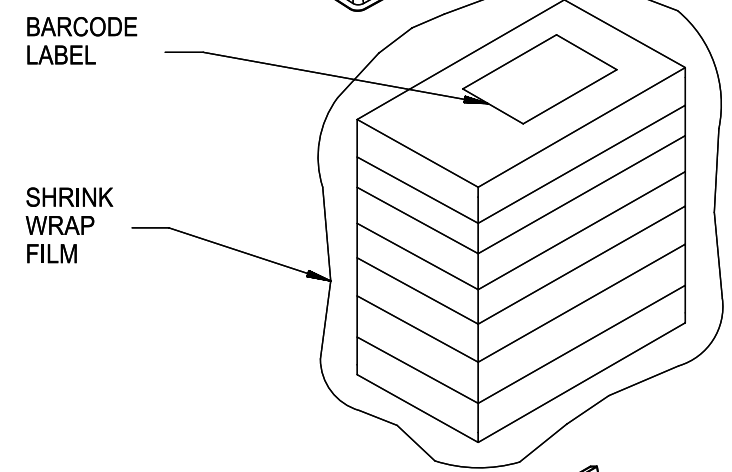
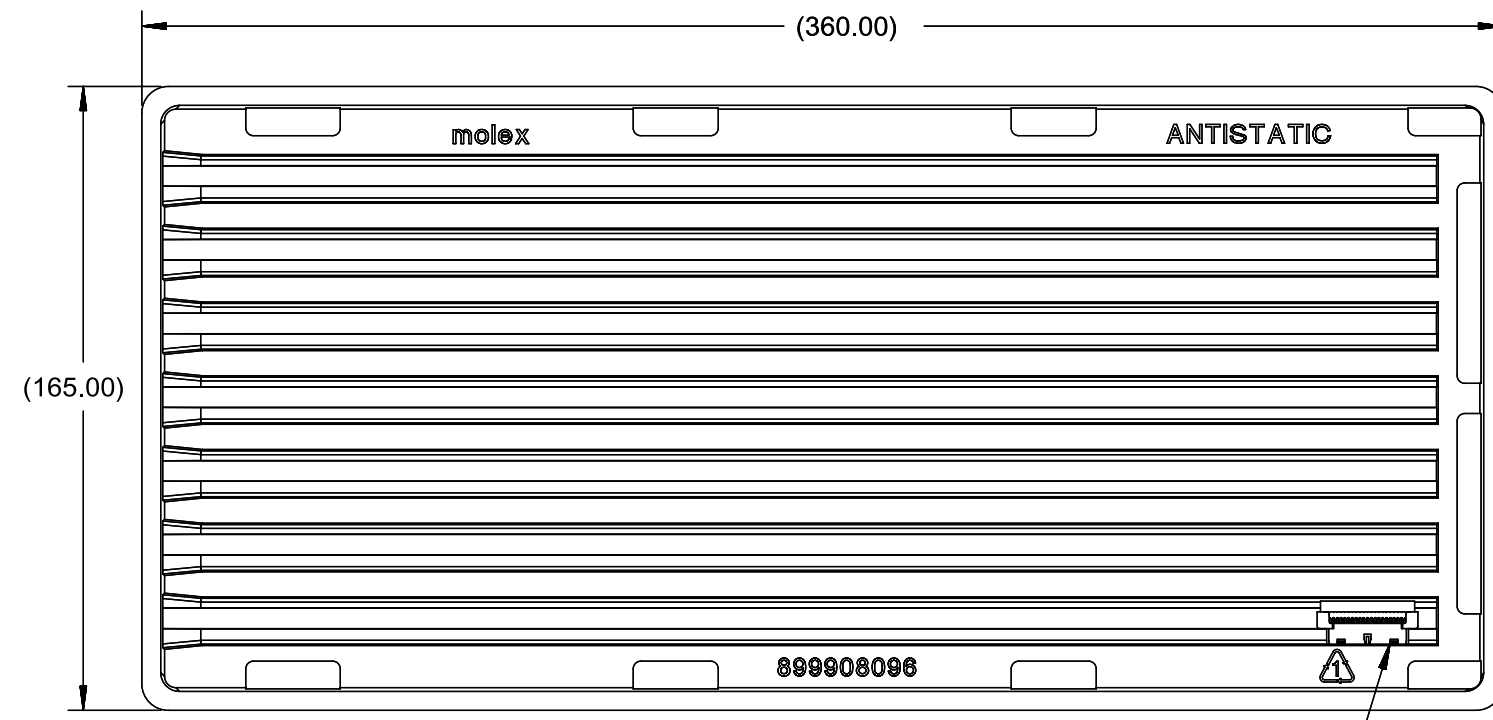
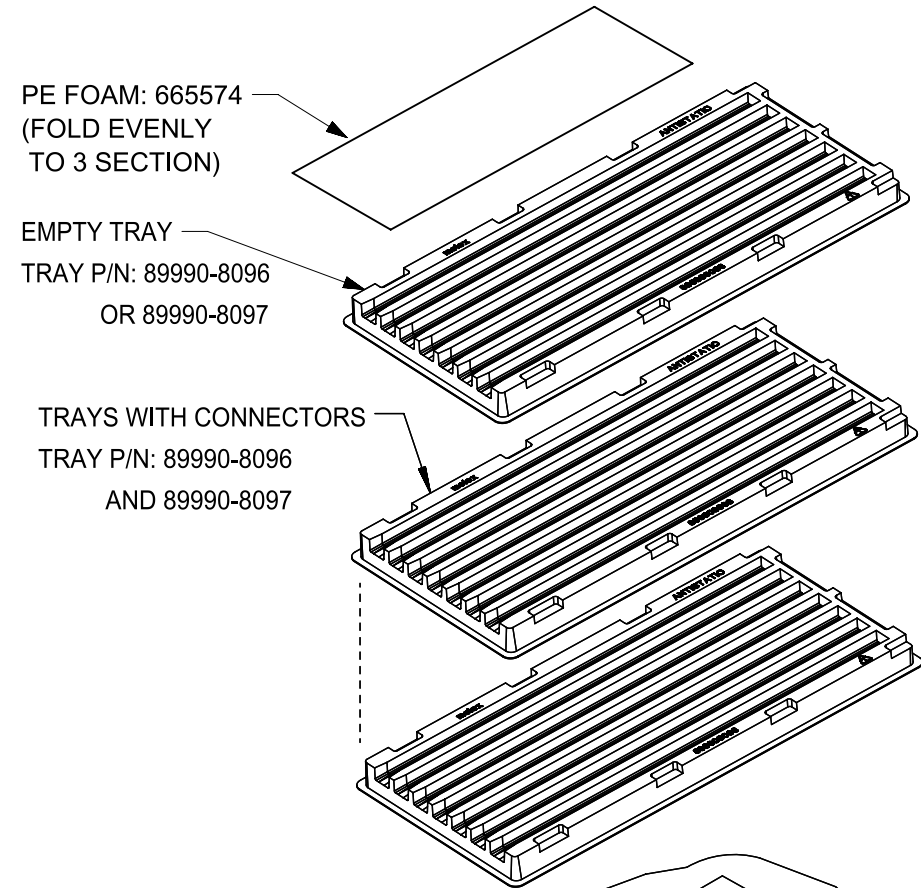


CKT SIZE	QTY/ TRAY	TRAY/ CARTON
10	133	20
12	119	
14	105	
16	98	
20	84	
22	77	
24	70	
26	70	
30	56	
34	56	
40	49	
44	42	
50	35	



- NOTES:
 1. PARTS MUST BE PACKED AND ORIENTATED AS PER DETAIL SHOWN
 2. PARTIAL PACKAGING SHOULD BE AVOIDED

THIS DRAWING CONTAINS INFORMATION THAT IS PROPRIETARY TO MOLEX ELECTRONIC TECHNOLOGIES, LLC AND SHOULD NOT BE USED WITHOUT WRITTEN PERMISSION											
QUALITY SYMBOLS	ADD TRAY&PE FOAM	EC NO: 121226	DRWN: GMENARLY	CHK'D: SCHEONG	REV APPR: KHLIM	GENERAL TOLERANCES (UNLESS SPECIFIED)		DIMENSION UNITS	SCALE		
						ANGULAR TOL ±	mm	NTS			
▽A = 0						4 PLACES ±	°	DRWN BY	DATE	PACKAGING SPECIFICATION MGRID 2MM IDT CONNECTOR IN TRAY	
▽E = 0						3 PLACES ±		GMENARLY	2017/08/10		
▽F = 0						2 PLACES ±		CHK'D BY	DATE	PACKAGING DESIGN DRAWING	
▽ = 0						1 PLACE ±		SCHEONG	2017/08/24		
▽C = 0						0 PLACES ±		APPR BY	DATE	SERIES: 87568 MATERIAL NUMBER: CUSTOMER: GENERAL MARKET	
▽ = 0								KHLIM	2017/08/25		
▽ = 0						DRAFT WHERE APPLICABLE MUST REMAIN WITHIN DIMENSIONS		DRAWING SIZE	THIRD ANGLE PROJECTION	DOCUMENT NUMBER: PK-87568-0001 DOC TYPE: PDD DOC PART: 001 SHEET NUMBER: 1 OF 1	
▽ = 0						A3					