

1. 製品名称 : 2.0mm PITCH W/B CONN. WAFER ASS'Yエンボステープ梱包  
Product Name: 2.0mm PITCH W/B CONN. WAFER ASS'Y EMBOSSED TAPE PACKAGE

製品番号 (エンボス梱包品) : 502352-\*\*00, 502352-\*\*10, 502352-\*\*01, 502352-\*\*11, 502352-\*\*02,  
502352-\*\*03 (\*\*は極数を示す)

Part Number (Embossed Tape Package): 502352-\*\*00, 502352-\*\*10, 502352-\*\*01, 502352-\*\*11,  
502352-\*\*02, 502352-\*\*03 (\*\* is circuits size)

製品番号 (コネクタ単体) : 502352-\*\*08, 502352-\*\*18, 502352-\*\*28, 502352-\*\*38, 502352-\*\*48,  
502352-\*\*68 (\*\*は極数を示す)

Part Number (Connector): 502352-\*\*08, 502352-\*\*18, 502352-\*\*28, 502352-\*\*38, 502352-\*\*48,  
502352-\*\*68 (\*\* is circuits size)

2. 標準梱包数  
STANDARD PACKAGING QUANTITY

2-1 成都生産品  
Produced in Chengdu

| 極数<br>CKT | リール&エンボステープ<br>REEL & EMBOSSED TAPE |                |                 | トップテープ<br>TOP TAPE | 外装カートン<br>SHIPPING CARTON<br>47799-1038 |                  |
|-----------|-------------------------------------|----------------|-----------------|--------------------|---|------------------|
|           | 型番<br>PROD. NO.                     | 幅<br>WIDTH(mm) | 製品数<br>QUANTITY | 型番<br>PROD. NO.    | 梱包リール数<br>NUMBER OF<br>REELS            | 製品数<br>QUANTITY  |
| 2         | 47799-5067                          | 24             | 700             | 47799-5096         | 6<br>(3)                                | 4,200<br>(2,100) |
| 3         | 47799-5102                          |                |                 |                    |   |                  |
| 4         | 47799-5074                          |                |                 |                    |   |                  |
| 5         | 47799-5103                          |                |                 |                    |   |                  |
| 6         | 47799-5068                          | 32             | 700             | 47799-5097         | 4<br>(2)                                | 2,800<br>(1,400) |
| 7         | 47799-5104                          |                |                 |                    |   |                  |
| 8         | 47799-5075                          |                |                 |                    |   |                  |
| 9         | 47799-5230                          |                |                 |                    |   |                  |
| 10        | 47799-5231                          | 44             | 700             | 47799-5098         | 3<br>(1)                                | 2,100<br>(700)   |
| 11        | 47799-5232                          |                |                 |                    |   |                  |
| 12        | 47799-5145                          |                |                 |                    |   |                  |
| 13        | 47799-5233                          |                |                 |                    |   |                  |
| 14        | 47799-5234                          | 56             | 700             | 47799-5099         | 3<br>(1)                                | 2,100<br>(700)   |
| 15        | 47799-5235                          |                |                 |                    |   |                  |

注 : ( ) 内の数は、少量出荷用カートンを用いた場合の梱包数。  
NOTE: "( )" Numbers are applicable for small lot shipment.

|                       |   |     |     |     |     |   |                             |  |                               |  |  |  |  |  |  |  |                                |                 |
|-----------------------|---|-----|-----|-----|-----|---|-----------------------------|--|-------------------------------|--|--|--|--|--|--|--|--------------------------------|-----------------|
| REV.                  | A   | B   | C   | D   | E   |   |                             |  |                               |  |  |  |  |  |  |  |                                |                 |
| SHEET                 | 1-3   | 1-3 | 1-3 | 1-3 | 1-4 |   |                             |  |                               |  |  |  |  |  |  |  |                                |                 |
| REVISE ON PC ONLY     |   |     |     |     |     | TITLE:                                    |                             |  |                               |  |  |  |  |  |  |  |                                |                 |
| <b>E</b>              | REVISED<br>JTR2016-0116<br>2016/06/02 K.NAGAI   |     |     |     |     | 502352梱包仕様書<br>PACKAGING SPEC. FOR 502352 |                             |  |                               |  |  |  |  |  |  |  |                                |                 |
|                       | THIS DOCUMENT CONTAINS INFORMATION THAT IS PROPRIETARY TO<br>INC. AND SHOULD NOT BE USED WITHOUT WRITTEN PERMISSION |     |     |     |     |   |                             |  |                               |  |  |  |  |  |  |  |                                |                 |
| REV.                  | DESCRIPTION   |     |     |     |     | WRITTEN<br>BY:<br>K.NAGAI                 | CHECKED<br>BY:<br>H.KOMATSU | APPROVED<br>BY:<br>MA.YAMAMOTO             | DATE: YR/MO/DAY<br>2012/09/11 |  |  |  |  |  |  |  |                                |                 |
| DESIGN CONTROL<br>JTR |   |     |     |     |     | STATUS                                    |                             | DOCUMENT NUMBER<br><b>PK-502352-002-JP</b> |                               |  |  |  |  |  |  |  | FILE NAME<br>PK502352002JP.DOC | SHEET<br>1 OF 4 |
| EN-37(2012-03)        |   |     |     |     |     |   |                             |  |                               |  |  |  |  |  |  |  |                                |                 |

**molex****PACKAGING SPECIFICATION**

LANGUAGE

JAPANESE  
ENGLISH2-2 韓国生産品  
Produced in Korea

| 極数<br>CKT | リール&エンボステープ<br>REEL & EMBOSSED TAPE |  |                    |                 | トップテープ<br>TOP TAPE | 外装カートン<br>SHIPPING CARTON<br>59411-0002 |                 |
|-----------|-------------------------------------|--|--------------------|-----------------|--------------------|---|-----------------|
|           | リール型番<br>REEL<br>PROD. NO.          | エンボス<br>テープ<br>型番<br>EMBOSS<br>TAPE<br>PROD. NO. | 幅<br>WIDTH<br>(mm) | 製品数<br>QUANTITY | 型番<br>PROD. NO.    | 梱包リール数<br>NUMBER<br>OF REELS            | 製品数<br>QUANTITY |
| 2         | 35908-1022                          | 59407-0802                                       | 24                 | 700             | 59406-5203         | 6                                       | 4,200           |
| 3         |                                     | 59407-0803                                       |                    |                 |                    |   |                 |
| 4         |                                     | 59407-0804                                       |                    |                 |                    |   |                 |
| 5         |                                     | 59407-0805                                       |                    |                 |                    |   |                 |
| 6         | 35908-1023                          | 59407-0806                                       | 32                 | 700             | 59406-5204         | 4                                       | 2,800           |
| 7         |                                     | 59407-0807                                       |                    |                 |                    |   |                 |
| 8         |                                     | 59407-0808                                       |                    |                 |                    |   |                 |
| 9         | 35908-1024                          | 59407-0809                                       | 44                 | 700             | 59406-5205         | 3                                       | 2,100           |
| 10        |                                     | 59407-0810                                       |                    |                 |                    |   |                 |
| 11        |                                     | 59407-0811                                       |                    |                 |                    |   |                 |
| 12        |                                     | 59407-0812                                       |                    |                 |                    |   |                 |
| 13        | 35908-1025                          | 59407-0813                                       | 56                 | 700             | 59406-5206         | 3                                       | 2,100           |
| 14        |                                     | 59407-0814                                       |                    |                 |                    |   |                 |
| 15        |                                     | 59407-0815                                       |                    |                 |                    |   |                 |

REVISE ON PC ONLY

**E**

SEE SHEET 1 OF 4

TITLE:

502352梱包仕様書  
PACKAGING SPEC. FOR 502352THIS DOCUMENT CONTAINS INFORMATION THAT IS PROPRIETARY TO  
INC. AND MUST NOT BE USED WITHOUT WRITTEN PERMISSION

REV.

DESCRIPTION

DOCUMENT NUMBER

**PK-502352-002-JP**

FILE NAME

PK502352002JP.DOC

SHEET

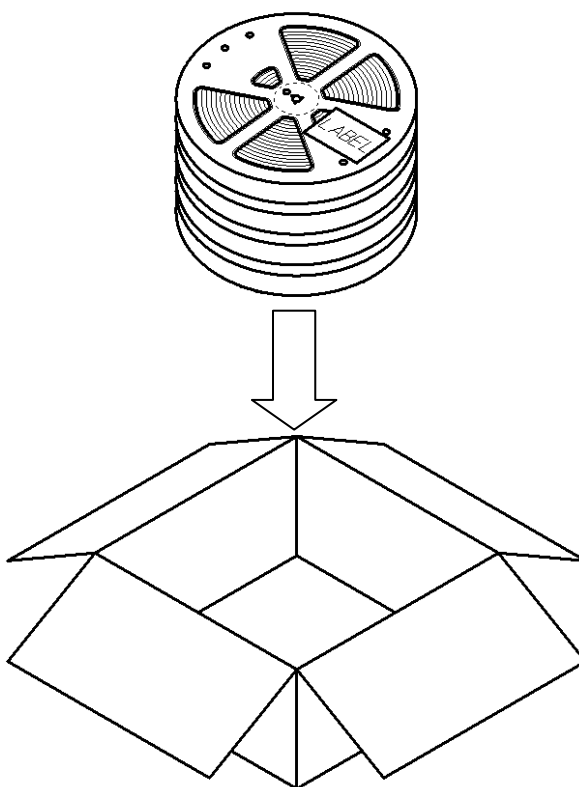
2 OF 4

EN-037(2012-03)

3. 梱包方法  
PACKAGING PROCEDURE

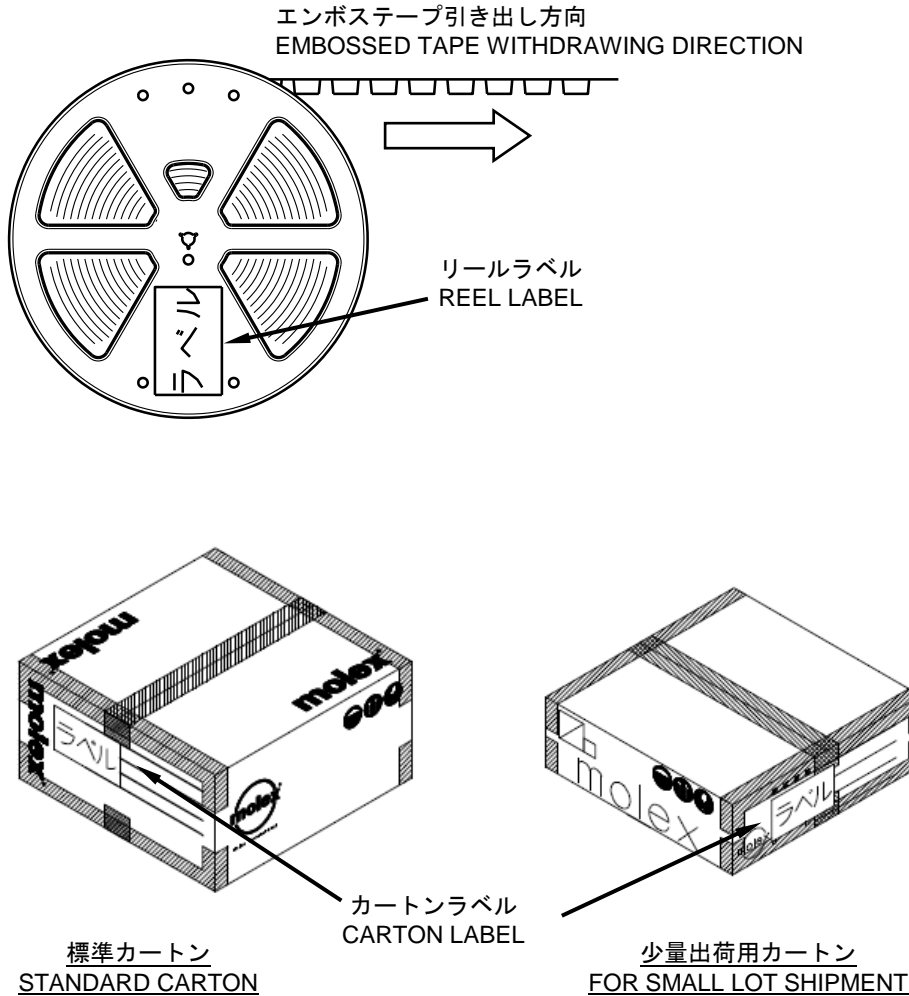
- 1). 規定数量に基づき、製品をエンボス梱包する。
- 2). リールにラベルを貼り付ける。ラベルには数量、型番、ロットを明記する。
- 3). カートンへリールを規定数量入れる。
- 4). カートンを閉じてテープでとめる。
- 5). 外側にラベルを貼り付ける。ラベルには数量、型番、ロットを明記する。

- 1). Package the appropriate number of parts in the embossed tape.
- 2). Place the label on the outside of the reel. On the label, quantity, part number, lot number needs to be specified.
- 3). Put the appropriate number of reel into the carton crucially.
- 4). Close the box, and tape the box.
- 5). Place the label on the outside of the box. On the label, quantity, part number, lot number needs to be specified.



|  |                  |   |                 |
|--|------------------|---|-----------------|
| REVISE ON PC ONLY                          |                  | TITLE:  |                 |
| <b>E</b>                                   | SEE SHEET 1 OF 4 | 502352梱包仕様書<br>PACKAGING SPEC. FOR 502352   |                 |
| REV.                                       | DESCRIPTION      | THIS DOCUMENT CONTAINS INFORMATION THAT IS PROPRIETARY TO<br>INC. AND MUST NOT BE USED WITHOUT WRITTEN PERMISSION |                 |
| DOCUMENT NUMBER<br><b>PK-502352-002-JP</b> |                  | FILE NAME<br>PK502352002JP.DOC  | SHEET<br>3 OF 4 |
| EN-037(2012-03)                            |                  |   |                 |

4. ラベル位置  
LABEL POSITION



|                                     |                   |  |
|-------------------------------------|-------------------|--|
| E                                   | REVISE ON PC ONLY | TITLE:<br>502352梱包仕様書<br>PACKAGING SPEC. FOR 502352  |
|                                     | SEE SHEET 1 OF 4  |  |
| REV.                                | DESCRIPTION       | THIS DOCUMENT CONTAINS INFORMATION THAT IS PROPRIETARY TO INC. AND MUST NOT BE USED WITHOUT WRITTEN PERMISSION |
| DOCUMENT NUMBER<br>PK-502352-002-JP |                   | FILE NAME<br>PK502352002JP.DOC   |
|                                     |                   | SHEET<br>4 OF 4  |
| EN-037(2012-03)                     |                   |  |