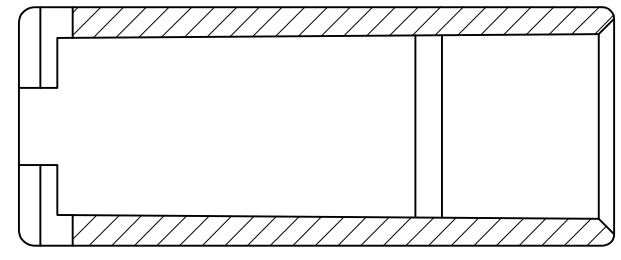


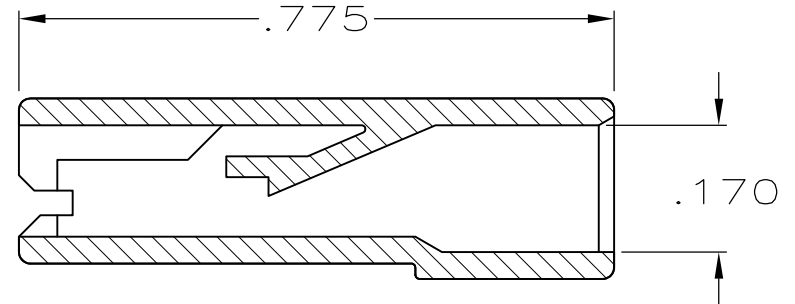
THIS DRAWING IS UNPUBLISHED. RELEASED FOR PUBLICATION
 © COPYRIGHT - By - ALL RIGHTS RESERVED.

LOC	DIST	REVISIONS			
P	LTR	DESCRIPTION	DATE	DWN	APVD
AF	50	V8	REVISED PER ECO-13-005280	25MAR13	JR PD

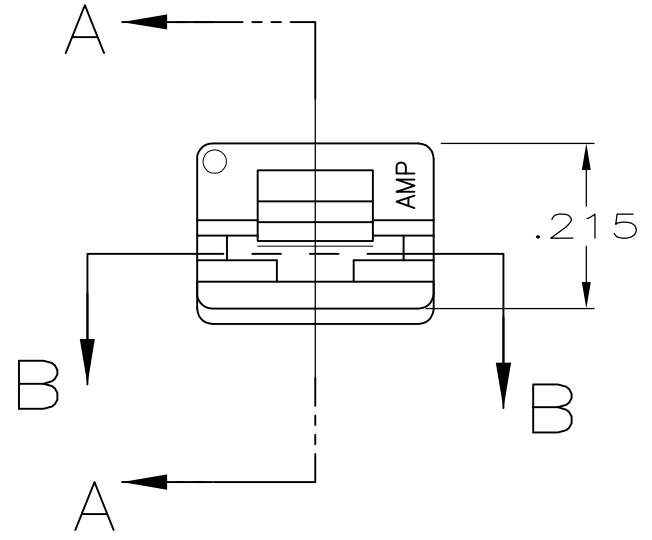
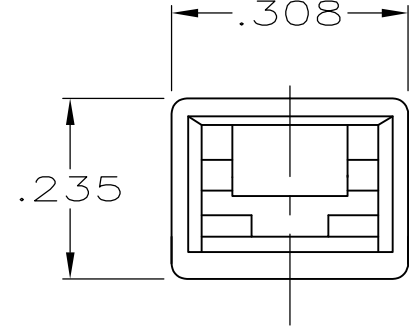
- △1 FOR FOREIGN PRODUCTION ONLY.
- △2 PRELIMINARY - NOT FOR PRODUCTION
- △3 POLYAMIDE ACCORDING TO IEC 60335-1, GLOW WIRE.
- △4 OBSOLETE PARTS: OBSOLETE CIS STREAMLINING PER D.RENAUD/D.SINISI
- 5 ACCEPTS 187 SERIES FASTONS BUDGET AND PREMIER STYLE RECEPTACLES



SECTION B-B
 ROTATED 90° CW



SECTION A-A



NATURAL	PA6 NYLON, V0	2-480435-2
NATURAL	△3 66 NYLON, UL94, V0	△2 2-480435-1
NATURAL	UL94 5VA RATED	△2 2-480435-0
NATURAL	△3 UL94, V2	1-480435-5
△4 OBSOLETE △1 NATURAL	6/6 NYLON	1-480435-4
△4 OBSOLETE △1 DYED BLACK		1-480435-3
△4 OBSOLETE △1 DYED RED		1-480435-2
NATURAL		1-480435-0
FINISH	MATERIAL	PART NO

THIS DRAWING IS A CONTROLLED DOCUMENT.		DWN	JR RUTH	2/4/91	STE TE Connectivity											
DIMENSIONS: INCHES		CHK	P FORTNEY	2/4/91												
TOLERANCES UNLESS OTHERWISE SPECIFIED:		APVD	R KUZO	2/4/91												
<table border="0"> <tr><td>0 PLC</td><td>± -</td></tr> <tr><td>1 PLC</td><td>± -</td></tr> <tr><td>2 PLC</td><td>± -</td></tr> <tr><td>3 PLC</td><td>± .015</td></tr> <tr><td>4 PLC</td><td>± -</td></tr> <tr><td>ANGLES</td><td>± -</td></tr> </table>		0 PLC	± -	1 PLC		± -	2 PLC	± -	3 PLC	± .015	4 PLC	± -	ANGLES	± -	NAME	
0 PLC	± -															
1 PLC	± -															
2 PLC	± -															
3 PLC	± .015															
4 PLC	± -															
ANGLES	± -															
MATERIAL	SEE TABLE	FINISH	SEE TABLE	PRODUCT SPEC	-											
MATERIAL		FINISH		APPLICATION SPEC	-											
SEE TABLE		SEE TABLE		WEIGHT	-											
CUSTOMER DRAWING				SIZE	A3											
SCALE				CAGE CODE	00779											
SHEET				DRAWING NO	C-480435											
RESTRICTED TO				SCALE	4:1											
SHEET				1 OF 1	REV											
REV				V8												