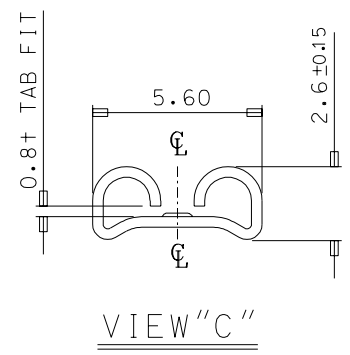
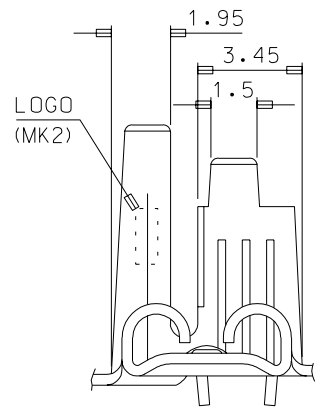
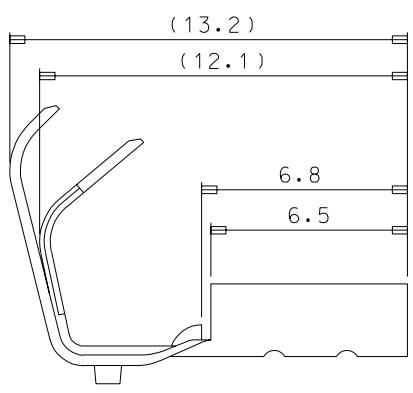
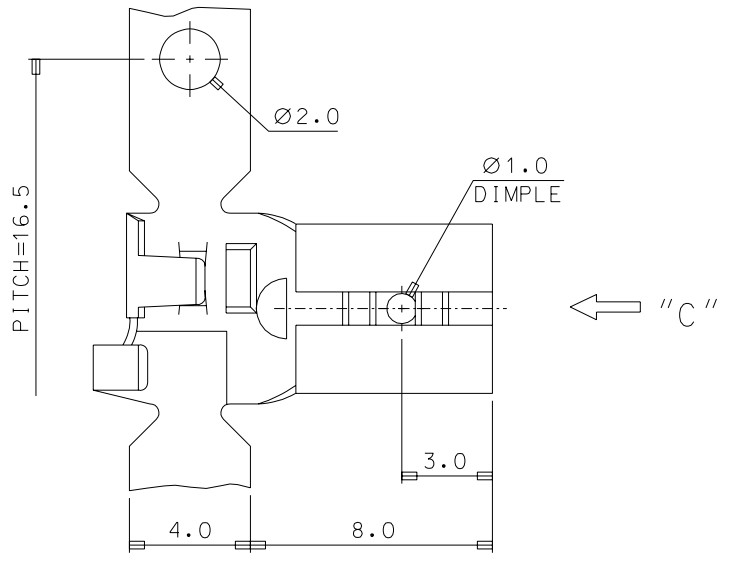


DO NOT SCALE DRAWING DIMENSION IN METRIC

PROJECT NO. SIMILAR ITEM DWG. NO. SD-35718-210



NOTES

1. MATERIAL : BRASS, 0.35mm THICKNESS
2. FINISH : 35718-2100 (UNPLATED)
35718-2110 (POST PLATED TIN)
3. APPLICABLE WIRE RANGE : AWG #20 - #16

REDRAWN EC NO. KOR2004-0117 DRWN: C.B.CHIN 04/03/08 CHK: W.Y.YANG APPR: C.W.LEE	QUALITY SYMBOLS MAJOR ▲ = 0 CRITICAL ▽ = 0	GENERAL TOLERANCES: (UNLESS SPECIFIED)		SCALE 6:1	DESIGN UNITS <input checked="" type="checkbox"/> mm <input type="checkbox"/> INCH	THIRD ANGLE PROJECTION	DIMENSIONS: <input type="checkbox"/> mm <input type="checkbox"/> INCH <input checked="" type="checkbox"/> mm ONLY	SHT	REV
		4 PLACES	±.	±.	DRAWN BY & DATE C.B.CHIN 04/02/12		TITLE: .187 FLAG RECEPTACLE TERMINAL (0.8+ TAB)		
A	REV	3 PLACES	±.	±.	CHECKED BY & DATE W.Y.YANG 04/02/12		MOLEX INCORPORATED		
		2 PLACES	±0.20	±.	APPROVED BY & DATE C.W.LEE 04/02/12				
		1 PLACE	±0.30	±.	CAD FILENAME S7182110.DGN	MATERIAL NO. SEE NOTES	DRAWING NO. SD-35718-210	SHEET NO. 1 OF 1	
		ANGULAR: ± 1 °			THIS DRAWING CONTAINS INFORMATION THAT IS PROPRIETARY TO MOLEX INCORPORATED AND SHOULD NOT BE USED WITHOUT WRITTEN PERMISSION.				
		DRAFT WHERE APPLICABLE MUST REMAIN WITHIN DIMENSIONS			SIZE B				