

5

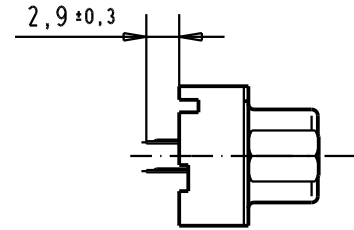
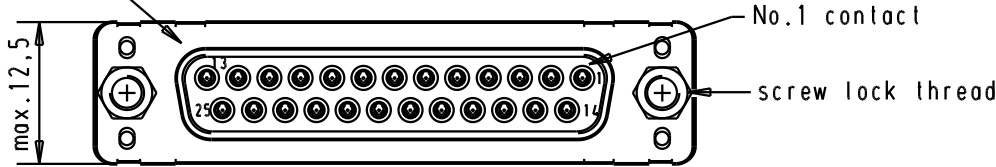
4

3

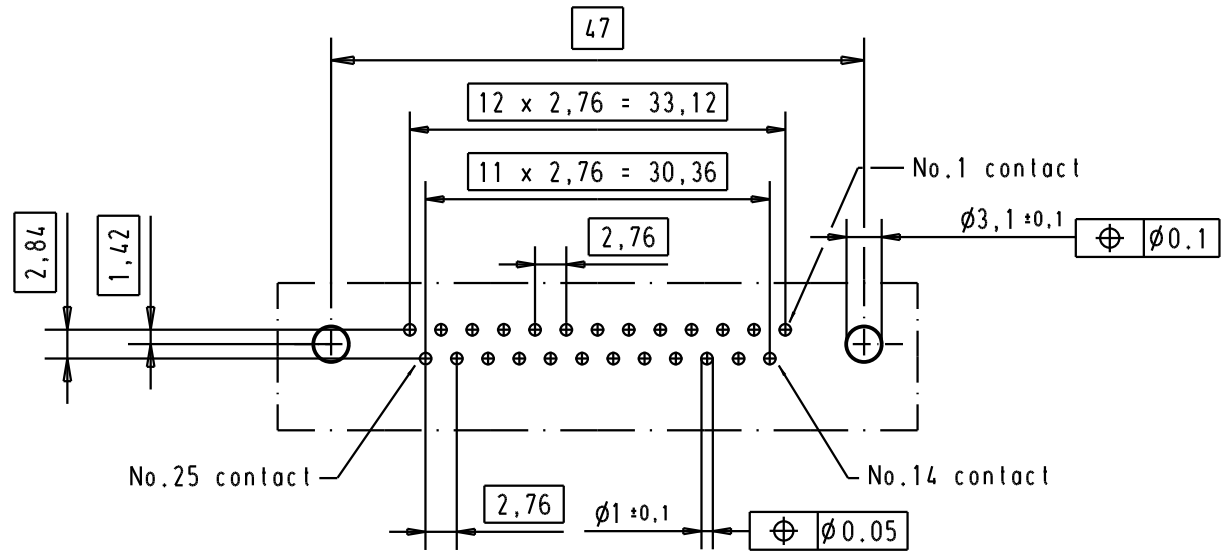
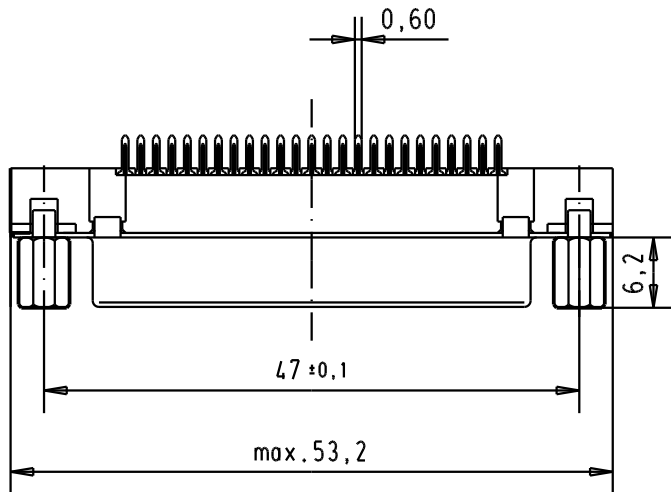
2

1



Mating face according to : MIL-C-24308 / DIN 41652 / CECC 75301-802



PCB layout hole component side



A

						Dat.	Name	 All Dim. in mm Orig. Size DIN A 4	D-Sub, 25 poles female, straight, with solder pins 2.9 and screw lock	Maßstab/ Scale 1.5:1	
						Detail.	19/mars/01				AF
						Insp.					
09 66 311 3503	4-40 UNC	1	31892	05/05/04	JH	Stand.					
09 66 311 6503	4-40 UNC	2	29723	05-MAR-02	CV	HARTING EURL F-95972 Paris				TB 0966311x50x	Blatt/ Page 3
09 66 311 7503	4-40 UNC	3	27988	19/mars/01	AF						
Part number	Screw lock thread	Performance level	Mod.	Dat.	Name					Sub.	