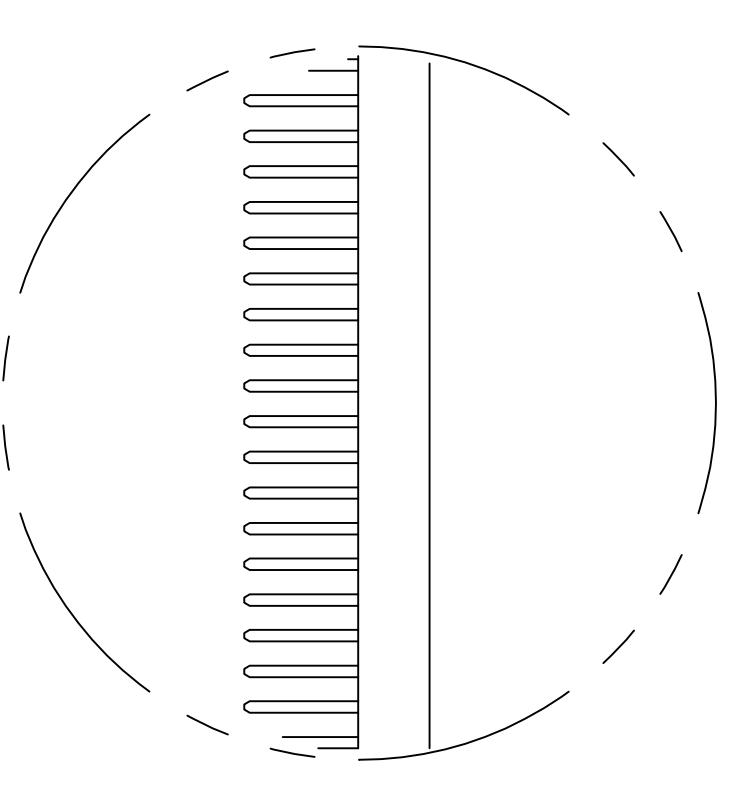
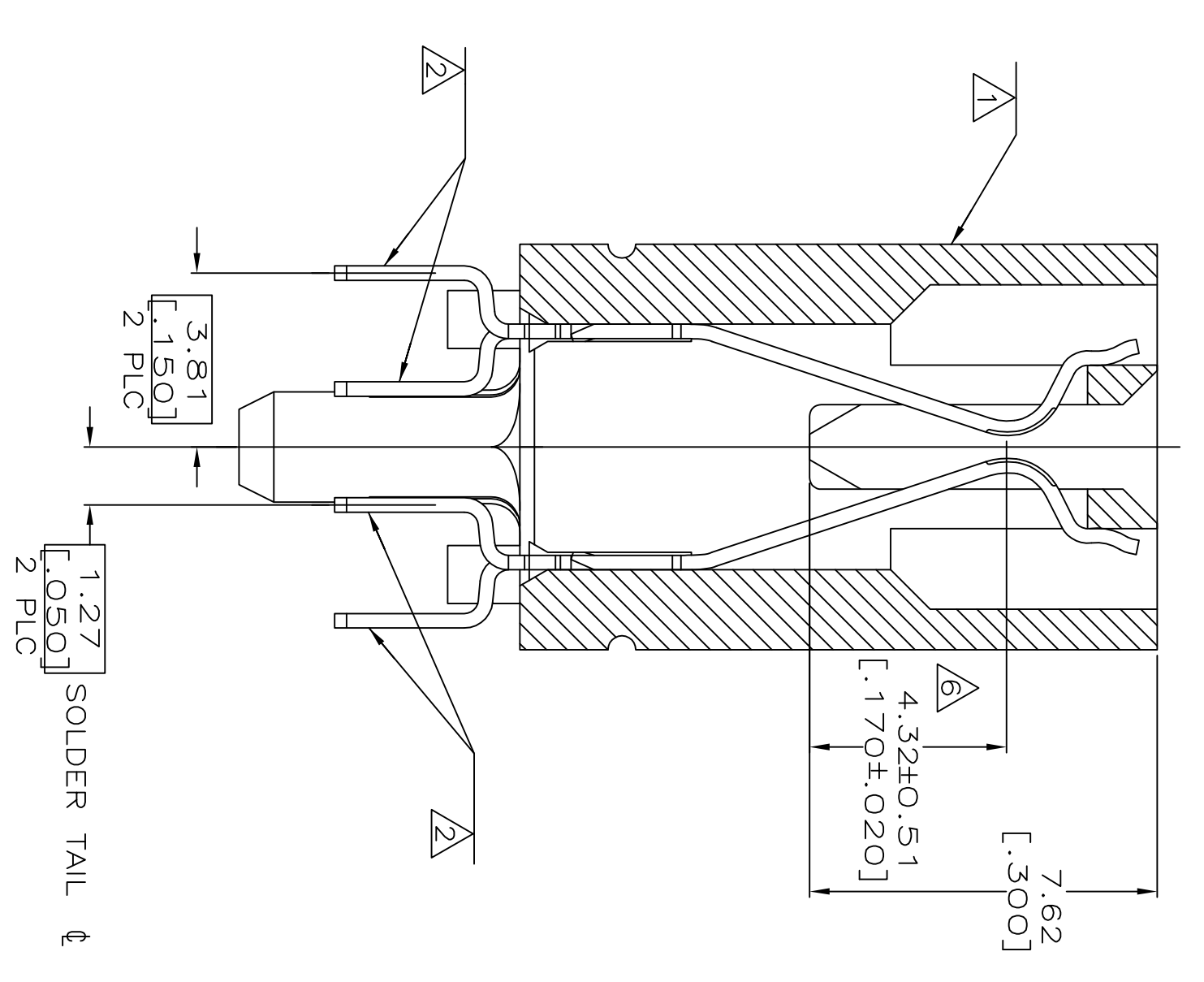


SEE SHEET 4 FOR HOLE PATTERN



DETAIL A



SECTION L-L
SCALE 8:1

SELECT LOADED TYPE AS SHOWN.

THIS DRAWING IS A CONTROLLED DOCUMENT.		REV	DATE	BY	DESCRIPTION
DIMENSIONS mm (INCHES)		01	FRANITUM	20 MAR 04	TE Connectivity
OTHER DIMENSIONS mm (INCHES)		01	FRANITUM	20 MAR 04	TE Connectivity
FINISH		01	FRANITUM	20 MAR 04	TE Connectivity
MATERIAL		01	FRANITUM	20 MAR 04	TE Connectivity
CUSTOMER DRAWING		01	FRANITUM	20 MAR 04	TE Connectivity
CONNECTOR ASSEMBLY, 60 DUAL POSITION, 1.27 [.050] SERIES, CARD EDGE		01	FRANITUM	20 MAR 04	TE Connectivity
SIZE CODE DRAWING NO		01	FRANITUM	20 MAR 04	TE Connectivity
RESTRICTED TO		01	FRANITUM	20 MAR 04	TE Connectivity
SCALE 4:1		01	FRANITUM	20 MAR 04	TE Connectivity
SHEET 3 OF 4		01	FRANITUM	20 MAR 04	TE Connectivity
REV D		01	FRANITUM	20 MAR 04	TE Connectivity

