

5

4

3

2

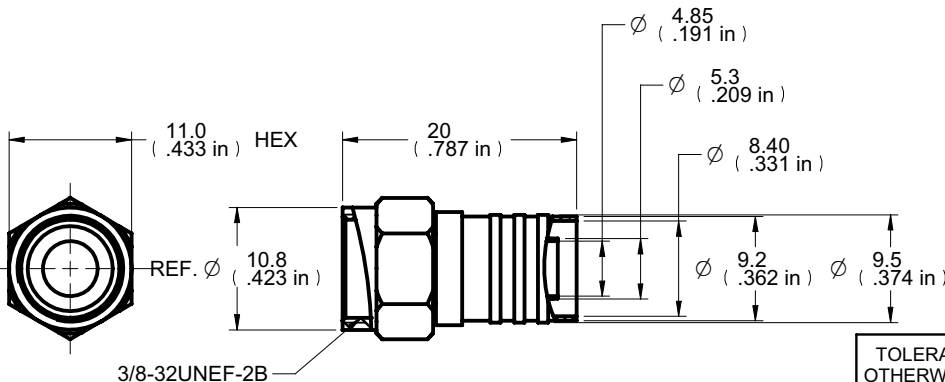
1

受控 CONTROLLED DOCUMENT

编号 P/N	25-7032-CUST	版本 Rev	01	日期 Rel'd Date	Apr29,09
-----------	--------------	-----------	----	------------------	----------

DRAWING NO. 25-7032-CUST	
REVISIONS	
01	OFFICIAL RELEASE
03-10-09	Y U Y U T H Thomas Chow

Description: F-56 ALM W/ATT. 1/2 Ring RG-6  
 Part No: 25-7032  
 Application: For RG-6 Cable  
 Crimp Tool: 24-7710 or 24-8866P  
 Impedance: 75 Ohms  
 Frequency Range: 0-750 MHz  
 Material: Body Brass Nickel plated  
 Nut Zinc Nickel plated  
 RoHS Compliance: Yes  
 Technical Detail: Refer to Emerson Document P/N 25-0000



**DIM OUTLINE**

CUSTOMER COPY

TOLERANCE UNLESS OTHERWISE SPECIFIED		DRAWN BY	DATE
DECIMALS	mm	BETTY.YU	03-10-09
X	± 0.5	CHECKED BY	DATE
X.X	± 0.3	BETTY.YU	03-10-09
X.XX	± 0.1	APPROVED BY	DATE
ANGLES	± 0.5°	THOMAS	03-10-09
		U/M	mm



TITLE F-56 ALM W/ATT. 1/2 RING RG-6

THIS DRAWING WAS PRODUCED BY COMPUTER, DO NOT SCALE DRAWING OR UPDATE MANUALLY.

SHEET	DRAWING NO.	SIZE
1 OF 1	25-7032-CUST	A

5

4

3

2

1