

LOC	DIST	REVISIONS					
GZ	00	P	LTR	DESCRIPTION	DATE	DWN	APVD
		B		0611-0162-03	16MAY2003	TCS	KH

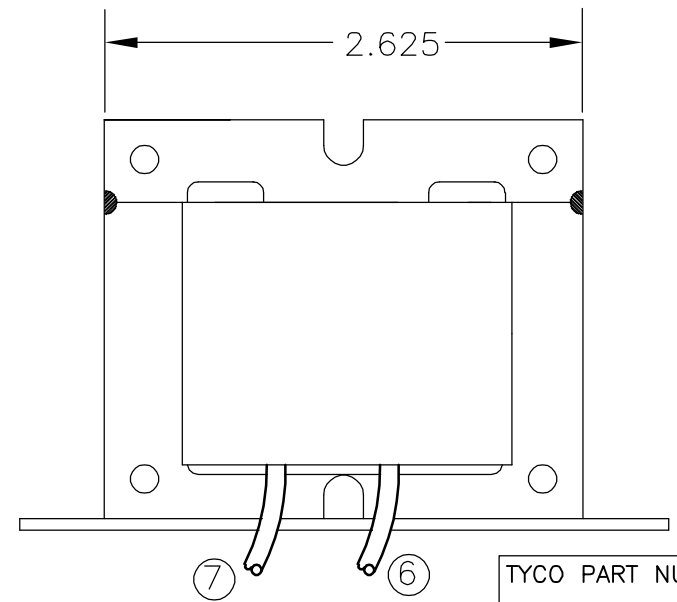
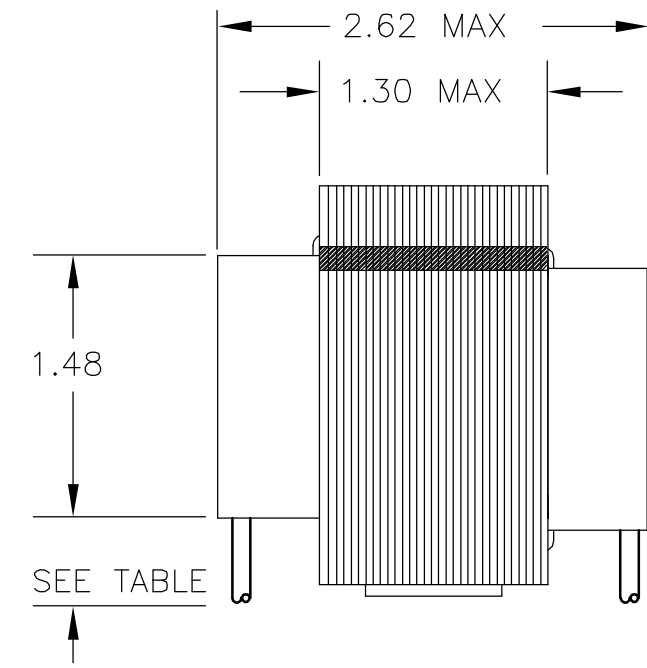
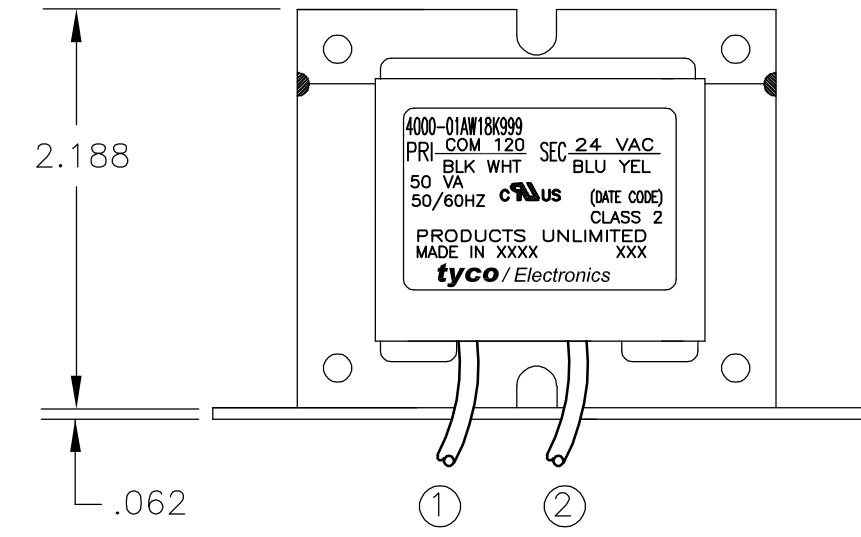
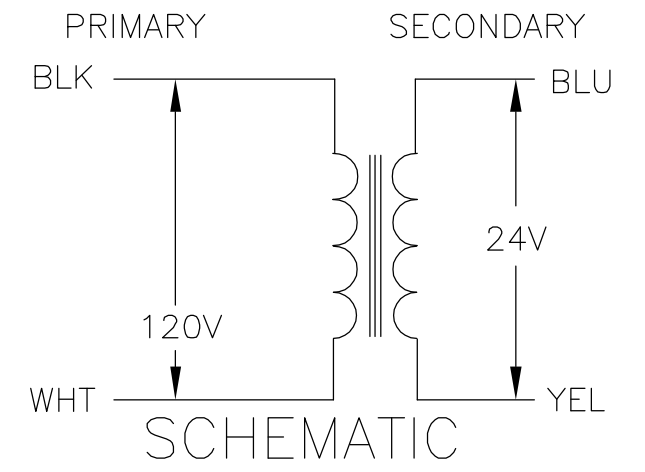
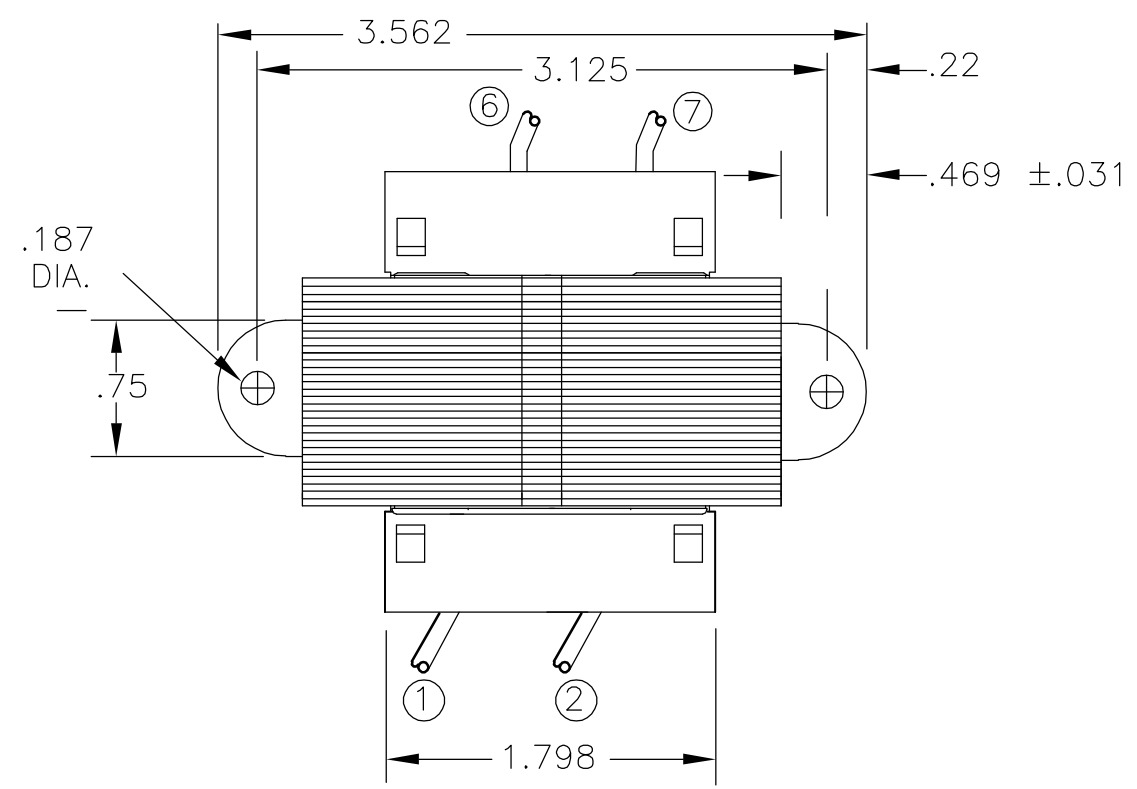
ALL LEADS 18AWG-UNLESS OTHERWISE SPECIFIED

PRIMARY	
LEAD NO.	1 2
VOLTAGE	COM 120
COLOR	BLK WHT
LENGTH	12.0 12.0
STRIP LENGTH	.50 .50

- NOTES
1. DIMENSIONS FOR REFERENCE ONLY.
  2. ALL LEADS +1"/-0" TOL.
  3. STRIP TOL. ±1/32
  4. WINDING PROTECTION-INHERENTLY LIMITING

CERTIFICATION: UL & CUL FILE NO. E87824

SECONDARY				
LEAD NO.	6	7	8	9
VOLTAGE	24	VAC		
COLOR	BLU	YEL		
LENGTH	12.0	12.0		
STRIP LENGTH	.50	.50		



TYCO PART NUMBER  
2-1611461-1

4000-01AW18K999  
 PRI COM 120 SEC 24 VAC  
 BLK WHT BLU YEL  
 50 VA (DATE CODE)  
 50/60HZ CLASS 2  
 PRODUCTS UNLIMITED  
 MADE IN XXXX  
 tyco / Electronics

THIS DRAWING IS A CONTROLLED DOCUMENT.		DWN	11/5/96	
		CHK	-	
		APVD	-	
		PRODUCT SPEC	-	
		APPLICATION SPEC	-	
		WEIGHT	-	
		CUSTOMER DRAWING		
		SCALE	NTS	
		SHEET	1 OF 1	
		REV	B	

DIMENSIONS: INCHES		TOLERANCES UNLESS OTHERWISE SPECIFIED:	
		0 PLC	± -
		1 PLC	± -
		2 PLC	± -
		3 PLC	± -
		4 PLC	± -
MATERIAL		FINISH	
-		-	

Products		Tyco Electronics Corporation	
-www.unlimited-		Harrisburg, PA 17105-3608	
NAME			
TRANSFORMER OUTLINE			
P.U. STOCK			
SIZE	CAGE CODE	DRAWING NO	RESTRICTED TO
A3	00779	4000-01AW18K999	-