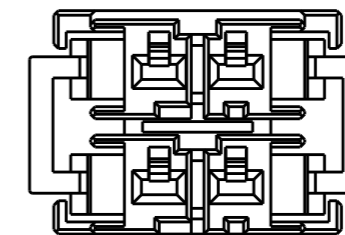
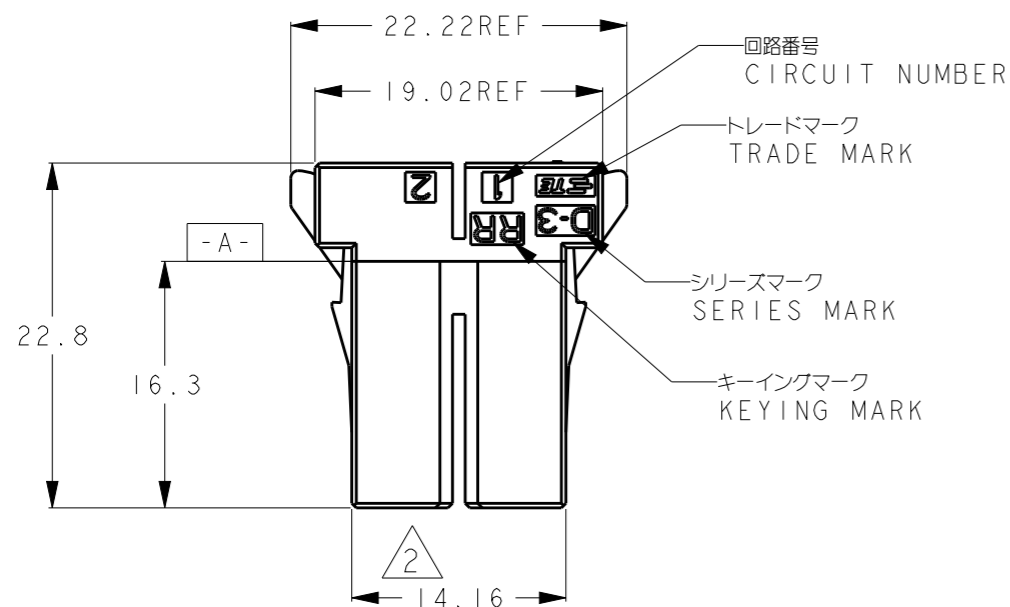


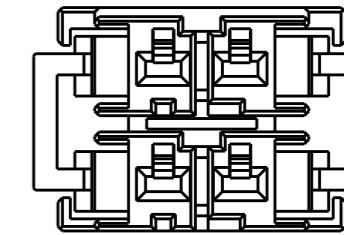
THIS DRAWING IS UNPUBLISHED. RELEASED FOR PUBLICATION 20
 © COPYRIGHT 20 BY - ALL RIGHTS RESERVED.

REVISIONS
 変更

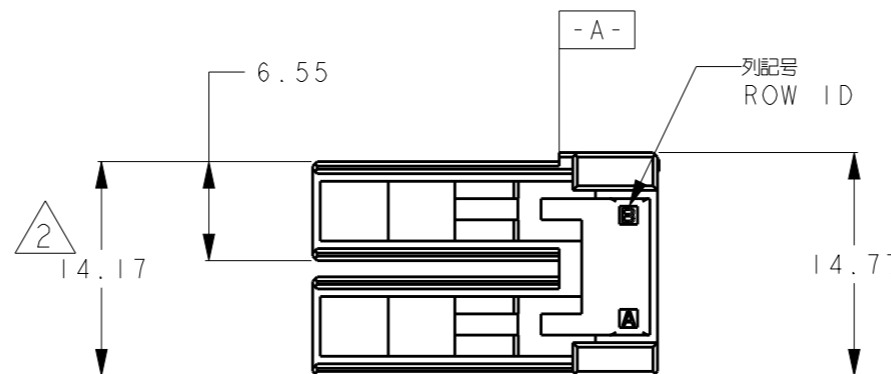
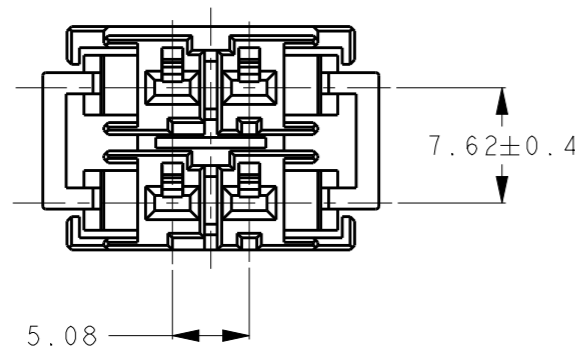
P	LTR	DESCRIPTION	DATE	DWN	APVD
	A	RELEASED	01AUG2016	Y.O	N.Y



RR-KEYING
 1-2291727-1



SS-KEYING
 2-2291727-1

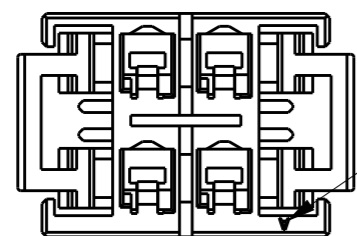
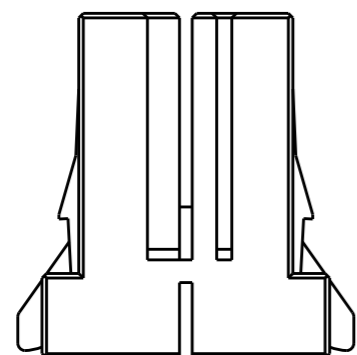


1 材料
 熱可塑性ポリエステル
 色: 黒色

2 本寸法はアータム [-A-] で測定されること

1 MATERIAL
 THERMO PLASTIC, POLYESTER
 COLOR: BLACK

2 THIS DIMENTION MUST BE MEASURED AT [-A-] OF HOUSING



1-2291727-1

キャビティマーク
 CAVITY MARK

フック有り WITH HOOK	SS	4	2-2291727-2	
フック無し WITHOUT HOOK	SS		2-2291727-1	
フック有り WITH HOOK	RR		1-2291727-2	
フック無し WITHOUT HOOK	RR		1-2291727-1	
STRAIN RELIEF用のフック HOOK FOR STRAIN RELEAF		キーイング KEYING	極数 POS	型番 PART NUMBER

THIS DRAWING IS A CONTROLLED DOCUMENT.		DWN Y. OKADA 11 APR 2016	TE Connectivity	
DIMENSIONS: 単位: 耗 mm		CHK E. TAKEMASA 13 APR 2016		
TOLERANCES UNLESS OTHERWISE SPECIFIED: 一般公差 ±0.3		APVD N. YAMASAKI 13 APR 2016	NAME 名称 RECEPTACLE HOUSING, 4 POSN, DOUBLE ROW, HORIZONTAL, DYNAMIC 3200M	
0 PLC ±0.5 1 PLC ±0.1 2 PLC ±0.01 3 PLC ±0.005 4 PLC ± ANGLES ±3		PRODUCT SPEC 製品規格 108-5349	SIZE A300779	CAGE CODE C-2291727
MATERIAL 材料 SEE NOTE	FINISH 仕上	APPLICATION SPEC 取付適用規格 -	WEIGHT -	RESTRICTED TO -
CUSTOMER DRAWING		SCALE 尺度 2:1	SHEET 1 OF 2	REV A

THIS DRAWING IS UNPUBLISHED.

RELEASED FOR PUBLICATION

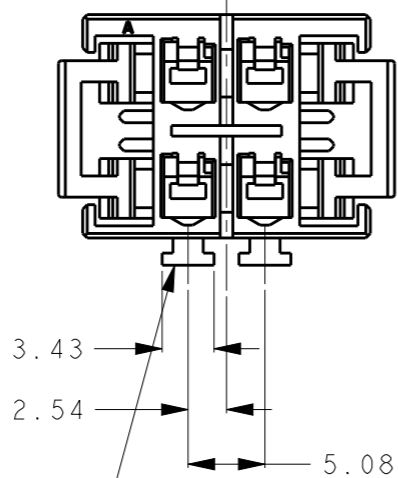
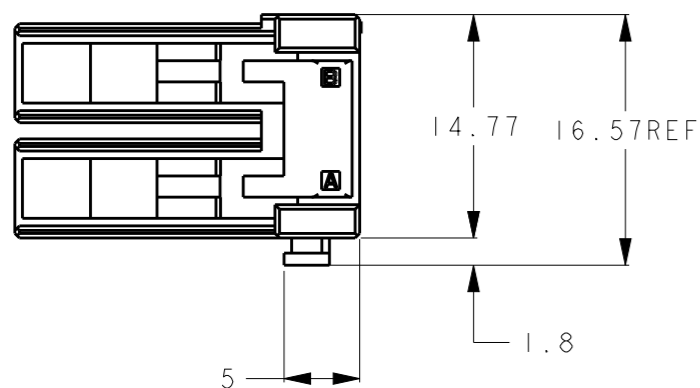
20

© COPYRIGHT 20 BY -

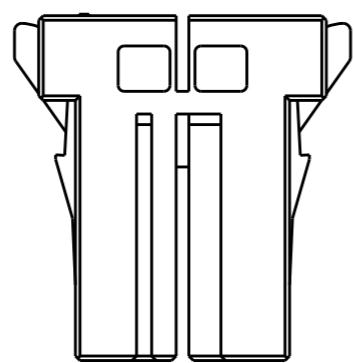
ALL RIGHTS RESERVED.

REVISIONS

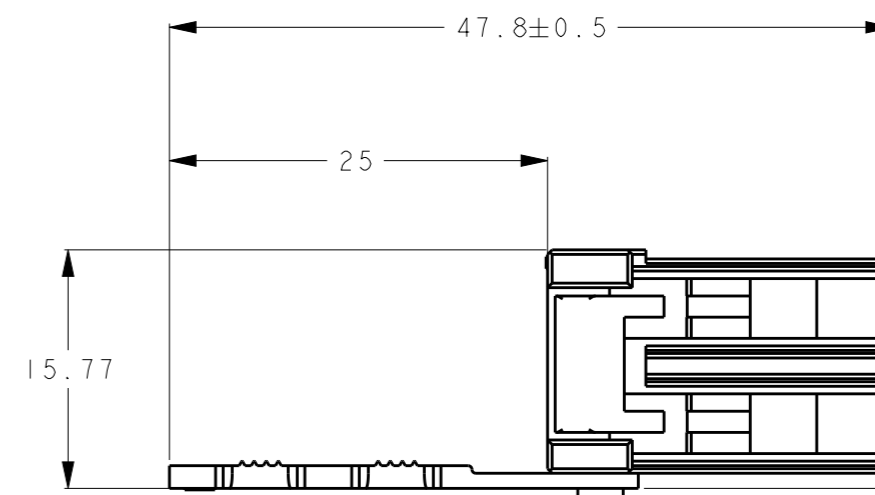
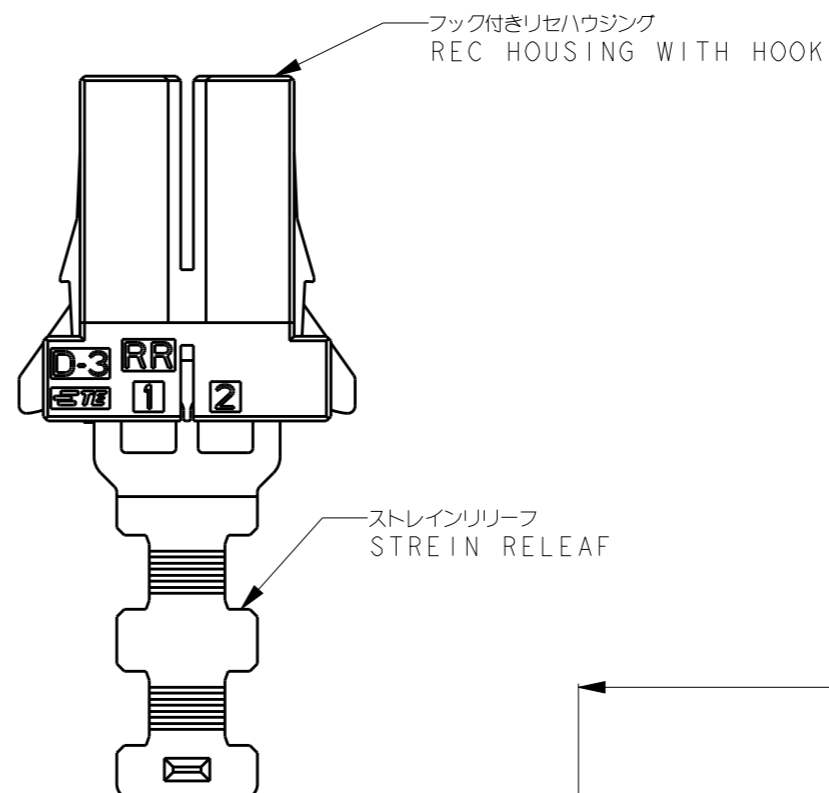
P	LTR	DESCRIPTION	DATE	DWN	APVD
-	-	SEE SHEET 1	-	-	-




HOOK FOR STRAIN RELEASE
ストレインリリース用フック



1-2291727-2



ストレインリリース取り付け状態
REC HOUSING WITH STRAIN RELEASE

THIS DRAWING IS A CONTROLLED DOCUMENT.		DWN Y. OKADA 11 APR 2016	 TE Connectivity		
DIMENSIONS: mm		CHK E. TAKEMASA 13 APR 2016			
TOLERANCES UNLESS OTHERWISE SPECIFIED: ± 0.3		APVD N. YAMASAKI 13 APR 2016	NAME RECEPTACLE HOUSING, 4 POSN, DOUBLE ROW, HORIZONTAL, DYNAMIC 3200M		
0 PLC ±0.5 1 PLC ±0.1 2 PLC ±0.01 3 PLC ±0.005 4 PLC ± ANGLES ±3		PRODUCT SPEC 108-5349	SIZE A300779	CAGE CODE C-2291727	RESTRICTED TO -
MATERIAL - SEE NOTE		FINISH -	APPLICATION SPEC -	DRAWING NO	SCALE 2:1
		WEIGHT -	SHEET 2 OF 2		REV A
		CUSTOMER DRAWING			