

Notes:

1. Material and Finish:

- Coupler Ring: Polyester (Black); UL94 V-0
- Plug Housing: Polyester (Black); UL94 V-0
- Cable Gland: PA (Black), UL94 V-0
- Cable Gland Rubber Ring: NBR, Color: Black
- Cable Fitting: PA (Black), UL94 V-0
- Interfacial Seal: Silicone, Color: White

(f) Duplex LC Connector

- Housing: PEI, UL94 V-0,

(e) (b) Color: **SM Blue/MM Beige/APC SM Green**

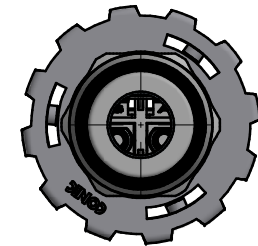
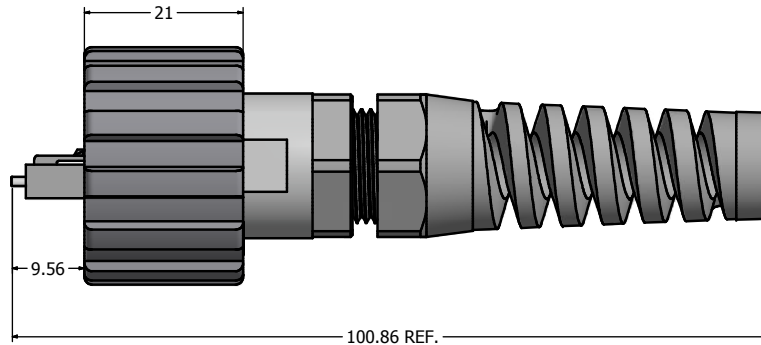
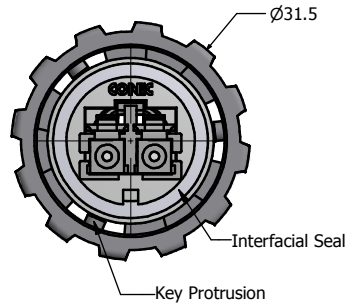
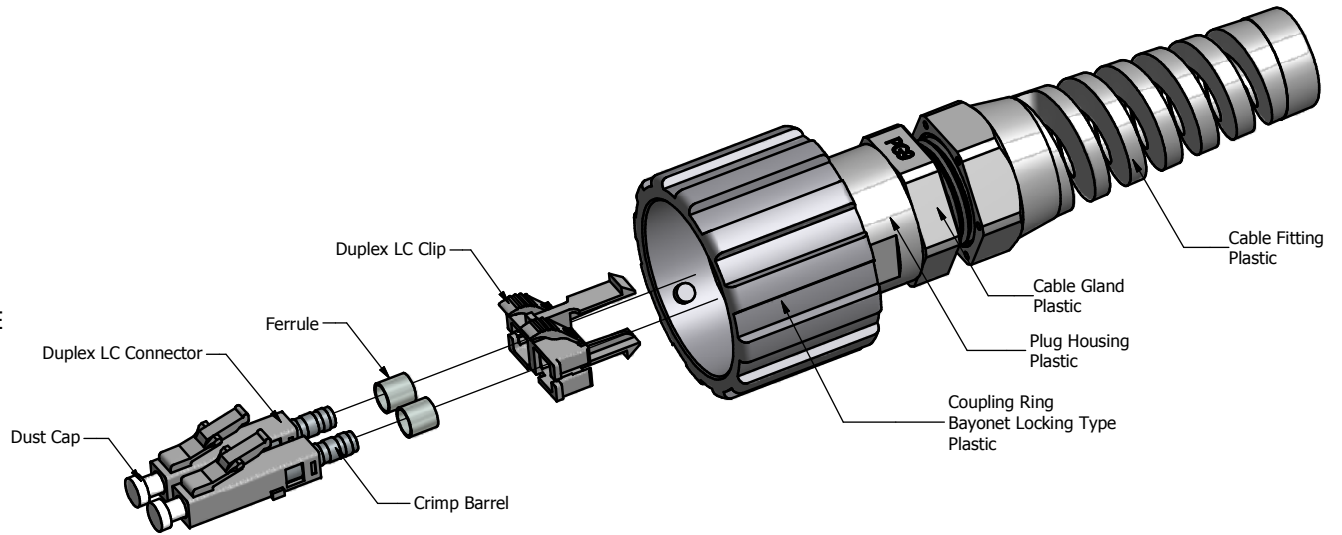
- Inner Sub Assembly: Zirconia, Metal and PTFE
- Crimp Barrel: Brass, Nickel Plated
- Ferrule: Brass, Nickel Plated
- Dust Cap: PC, Color: White

(c) Duplex LC Clip: PC, Color: Black

- Operating Temperature: -40°C to +85°C

2. IP67 rated when covered or fully mated with the appropriate mating connector

(d) 3. Accept 4.5mm to 8.0mm outside diameter fiber optic cable



Description	Part Number
Single Mode (SM)	17-300030
Multi Mode (MM)	17-300040
(e) APC Single Mode (APC SM)	17-300110

Directive 2002/95/EC RoHS Compliant

THIS DRAWING MAY NOT BE COPIED OR REPRODUCED IN ANY MANNER WITHOUT WRITTEN PERMISSION. OWNERSHIP AND COPYRIGHT OF CONEC CORPORATION. DO NOT ALTER CAD DRAWING BY HAND	Customer:			Tolerance Unless otherwise specified			Scale: 1.5:1	Dim. in mm	
	Name	Title	Approval Date	0 PLC ±0.58	1 PLC ±0.38		2 PLC ±0.25	3 PLC ±0.10	ANGLES ±.7
	g	1 x g	Sep/25/2013	Vincent Ke	2008	Date	Name	Material: See Notes	
	f	1 x f	Jul/12/2011	Vincent Ke	Draw.	Jun. 06	Vincent Ke	Title: IP67 Industrial Duplex LC Plug Kit	
	e	2 x e	Nov/22/2010	Vincent ke	Appd.	Jun. 06	J. Chaudry	Plastic Version	
d	1 x d	Nov/03/2010	Vincent Ke	Norm			Drawing No.: 17K1A003		
c	1 x c	Jul/19/2010	Vincent Ke	D-old			Part No.: SEE P/N ABOVE		
b	1 x b	May/28/2009	Vincent Ke				DIN A3		
a	original						Sheet 1/1		
Rev.	Changes	Date	Name						