

RJ45, Single Port, Tap Up, Thru-Hole, 100 Base-T

ARJE-0029

RoHS/RoHS II Compliant



16.80 x 28.91 x 25.78mm

FEATURES:

- Compliant with IEEE802.3 standard
- 350uH minimum OCL with 8mA bias current
- High performance for maximum EMI suppression
- High reliability – 750 mating/unmating cycles
- Suitable for compact PCB design due to RJ45/Dual USB stacked design

APPLICATIONS:

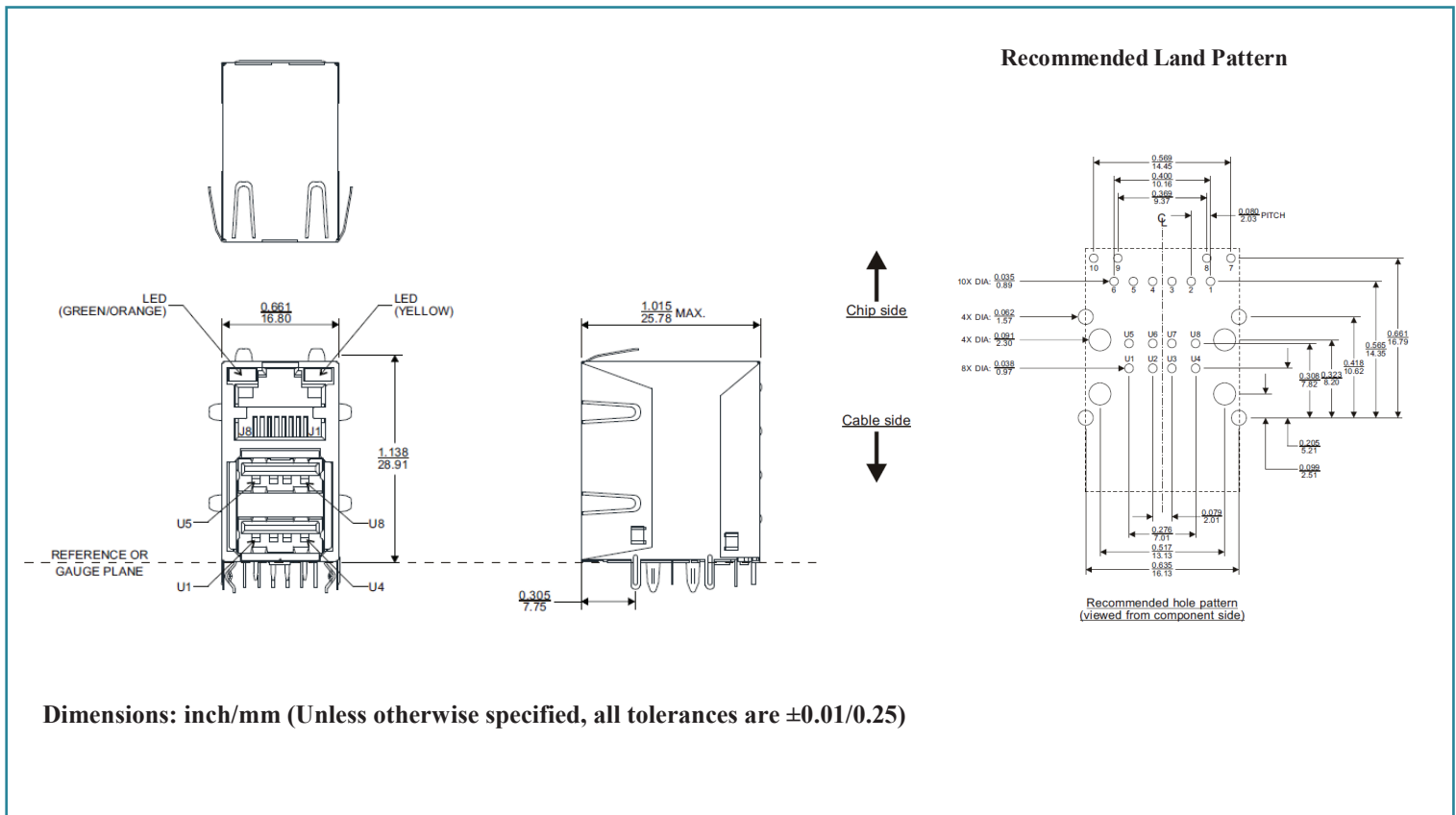
- Designed for most leading PHY IC manufacturers such as Broadcom, Marvell, Microsemi.
- Supports 10/100 Base-T applications
- Provides signal conditioning, EMI suppression and signal isolation.

STANDARD SPECIFICATIONS

Operating temperature range: 0°C to +70°C Storage temperature range: -40°C to +85°C

Parameters	Minimum	Typical	Maximum	Units	Notes
Turn Ratio (±3%)	1CT:1CT				
Inductance	350			uH	100kHz, 0.1 Vrms, 8mADC
Insertion Loss			-1.0	dB	0.1-100MHz
Return Loss	-16.0			dB	1-30MHz
	-13.5				30-60MHz
	-12.0				80MHz
Crosstalk	-30.0			dB	0.1-100MHz
CMRR	-30.0			dB	0.1-100MHz
Hipot	1500Vrms				Pri to Sec

MECHANICAL DIMENSIONS



RJ45, Single Port, Tap Up, Thru-Hole, 100 Base-T

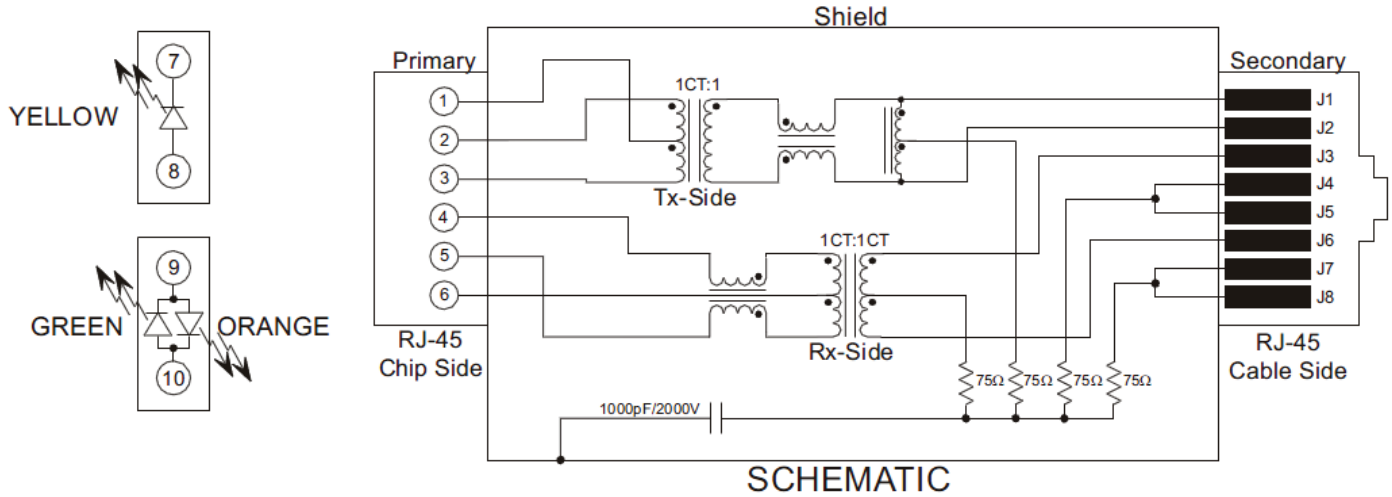
ARJE-0029

RoHS/RoHS II Compliant



16.80 x 28.91 x 25.78mm

SCHEMATICS



LED SPECIFICATION @20mA FORWARD CURRENT

Color	GREEN	YELLOW	ORANGE
Wavelength	570nm Typ	590nm Typ	605nm Typ
Forward Voltage	2.2V Typ	2.1V Typ	2.05V Typ

Packing: 50pcs/tray

ATTENTION: Abracon Corporation's products are COTS – Commercial-Off-The-Shelf products; suitable for Commercial, Industrial and, where designated, Automotive Applications. Abracon's products are not specifically designed for Military, Aviation, Aerospace, Life-dependant Medical applications or any application requiring high reliability where component failure could result in loss of life and/or property. For applications requiring high reliability and/or presenting an extreme operating environment, written consent and authorization from Abracon Corporation is required. Please contact Abracon Corporation for more information.

ABRACON IS
ISO 9001:2008
CERTIFIED



ABRACON
CORPORATION

Visit www.abracon.com for Terms & Conditions of Sale
30332 Esperanza, Rancho Santa Margarita, California 92688
tel 949-546-8000 | fax 949-546-8001 | www.abracon.com

Revised: 11.01.13