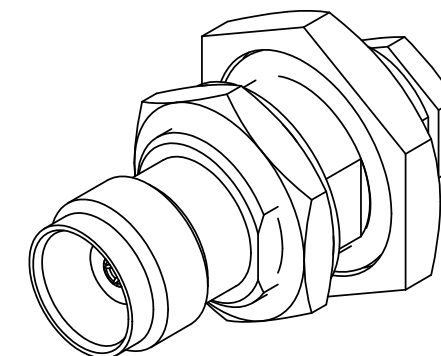
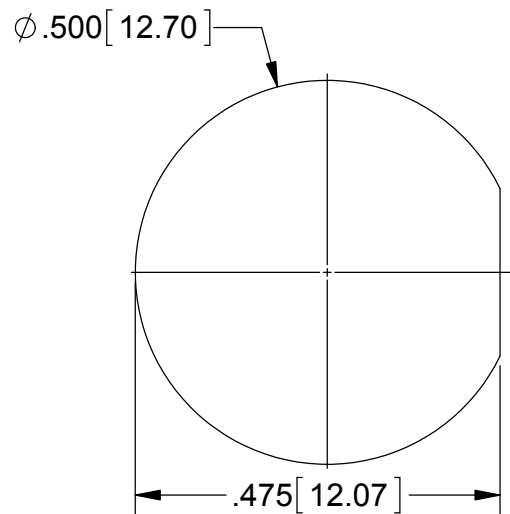
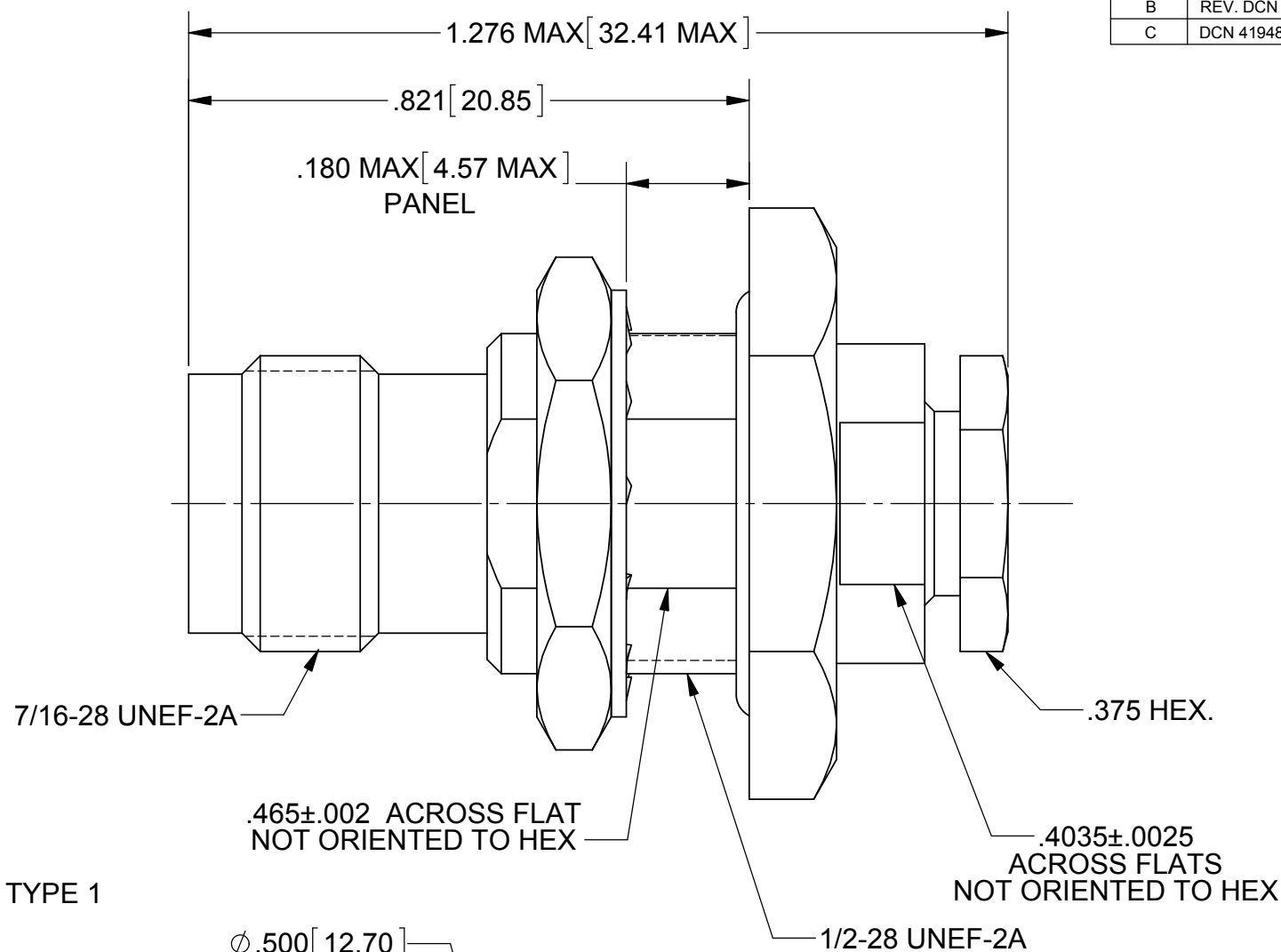
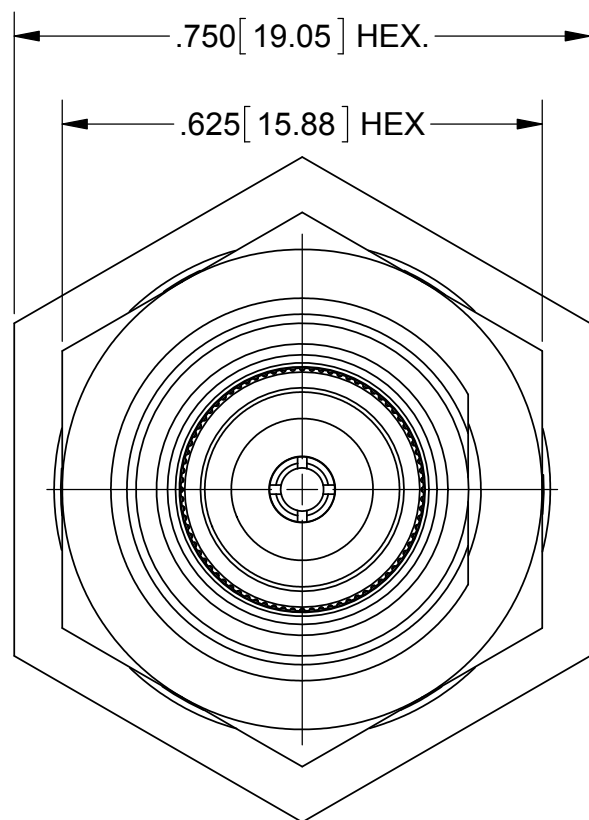


# PRODUCT DATA DRAWING

REVISION HISTORY			
REV	DESCRIPTION	DATE	APPROVED
A	DCN 39760	04/13	STW
B	REV. DCN 40887	10/24/14	FED
C	DCN 41948	12/15	STW



**MATERIAL:**

BODY, SLEEVE,  
HEX NUT,  
CLAMP NUT &  
FERRULE:

STAINLESS STEEL PER AMS-5640, ALLOY UNS S30300, TYPE 1

CONTACT:

BERYLLIUM COPPER PER ASTM B196,  
ALLOY No. UNS C17300, TD04

INSULATOR:

PTFE PER ASTM D1710, TYPE I, GRADE 1, CLASS B

O-RING:

SILICONE RUBBER PER A-A-59588, CLASS 2B, GRADE 50/60

LOCKWASHER:

300 SERIES STAINLESS STEEL

**FINISH:**

BODY, SLEEVE,  
HEX NUT,  
CLAMP NUT &  
LOCKWASHER:

PASSIVATED PER AMS-2700.

CONTACT &  
FERRULE:

GOLD PER ASTM B488, TYPE II, CODE C, CLASS 0.76,  
OVER NICKEL PER AMS-QQ-N-290, CLASS 1, .00010" MIN.

**PERFORMANCE:**

IMPEDANCE: 50 OHMS  
FREQ. RANGE: DC TO 15.0 GHz  
VSWR: 1.05 + .007(F IN GHz) DC TO 15.0 GHz  
INSERTION LOSS: .04 X SQRT(F(F IN GHz))

**RECOMMENDED MOUNTING HOLE**

MATERIAL: SEE NOTES	DIMENSIONS ARE IN INCHES TOLERANCES: FRACTIONAL: ±1/64 ANGULAR: X° ±1'0" X"X' ±15'	UNLESS OTHERWISE SPECIFIED 1) ALL DIMENSIONS ARE IN INCHES (MILLIMETERS) 2) ALL DIMENSIONS ARE AFTER PLATING. 3) BREAK CORNERS & EDGES .005 R. MAX. 4) CHAM. 1ST & LAST THREADS. 5) SURFACE ROUGHNESS 63-MIL-STD-10. 6) DIA. 'S ON COMMON CENTERS TO BE CONCENTRIC WITHIN .005 T.I.R. 7) REMOVE ALL BURRS	<b>SV Microwave, Inc.</b> 2400 Centrepark West Drive, Suite 100 West Palm Beach, FL 33409
FINISH: SEE NOTES	DECIMAL: X ±.030 .XX ±.010 .XXX ±.005	INTERPRET DIMENSIONS AND TOLERANCES PER ASME Y14.5M - 1994	TITLE: PTNC JACK BULKHEAD MOUNT FOR .141 S.R. CABLE
SURFACE AREA: N/A	THIRD ANGLE PROJECTION	DRAWN: GEE 09/26/85 CHECKED: CT 10/85 APPROVED: RD 10/07/85	SIZE: B CAGE CODE: 95077 DWG. NO.: SF4546-6010
PROPRIETARY THE INFORMATION CONTAINED IN THIS DRAWING IS THE SOLE PROPERTY OF SV MICROWAVE, INC. ANY REPRODUCTION IN PART OR AS A WHOLE WITHOUT THE WRITTEN PERMISSION OF SV MICROWAVE, INC IS PROHIBITED.			SCALE: 2:1 SHEET 1 OF 1