

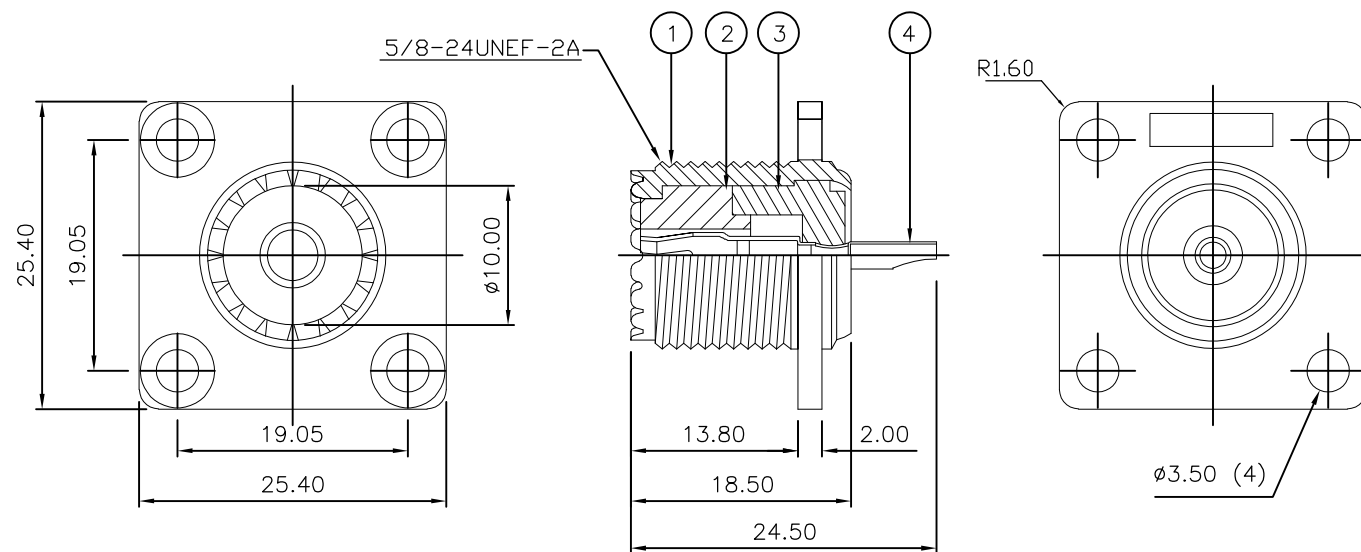
THIS DRAWING IS UNPUBLISHED. RELEASED FOR PUBLICATION AUGUST, 2006.

© COPYRIGHT 2006 By - ALL RIGHTS RESERVED.

LOC	DIST	REVISIONS			
P	LTR	DESCRIPTION	DATE	DWN	APVD
E	B	B	REVISD PER ECO-09-003420	18JAN09	ANS BOB
		C	REVISD PER ECO ECO-11-021584	01NOV11	TITAN MARTIN

NOTES:

- 1 PACK IN ACCORDANCE WITH AMP SPEC 107-3275
- 2 100 TRAY PACK IN ACCORDANCE WITH AMP SPEC 107-3275
- 3 Au PLATING
- 4 Ni PLATING
- 5 FOR TECHNICAL DATA REFER TO YOUR LOCAL TYCO ELECTRONICS SALES OFFICE
- 6 ALL DIMENSIONS ARE NOMINAL FOR REFERENCE ONLY UNLESS OTHERWISE STATED



QTY	PLC	QTY	PLC	MATERIAL	DESCRIPTION	ITEM
1	1	1	1	BRASS	CONTACT	4
1	1	1	1	PBT	INSULATION	3
1	1	1	1	PBT	INSULATION	2
1	1	1	1	ZINC	BODY	1
5--1	5--0					

Obsolete

QUANTITY PER ASSY PARTS LIST

THIS DRAWING IS A CONTROLLED DOCUMENT.		DWN	ANSON MA	14FEB09	 TE Connectivity					
DIMENSIONS: mm		CHK	RITA ZUO	14FEB09				NAME		
TOLERANCES UNLESS OTHERWISE SPECIFIED:		APVD	BOB ZHAO	14FEB09				UHF PANEL SOCKET		
0 PLC ± - 1 PLC ± - 2 PLC ± - 3 PLC ± - 4 PLC ± - ANGLES ± -		PRODUCT SPEC	108-112000					RESTRICTED TO		
MATERIAL SEE TABLE		FINISH	-		SIZE	CAGE CODE	DRAWING NO	RESTRICTED TO		
			-		A300779		C-1814816	-		
CUSTOMER DRAWING					SCALE	NTS	SHEET	1 OF 1		
					REV	C				