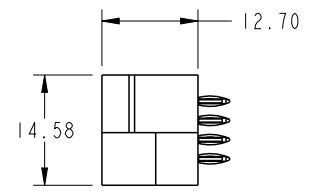
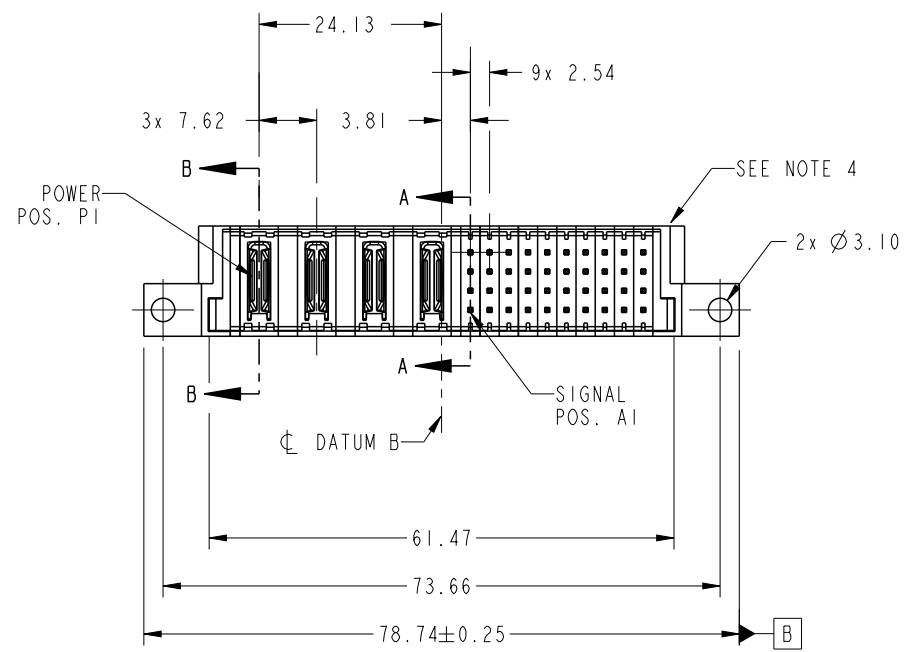
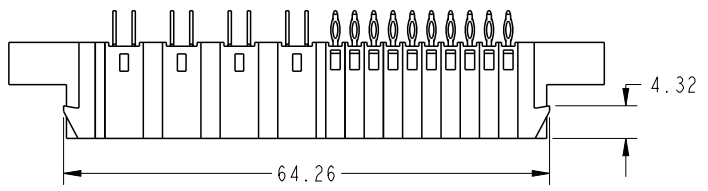


| | | | | | | | | | | | | | | | | | |
|-----------------------|------------------|-------|----|----|----|--------|---|---|---|---|---|---|---|---|---|----|----|
| PRODUCT NO. | ROWS | POWER | | | | SIGNAL | | | | | | | | | | | |
| | | E1 | P1 | P2 | P3 | P4 | 1 | 2 | 3 | 4 | 5 | 6 | 7 | 8 | 9 | 10 | E2 |
| 51952-261-- NOTE ③ | D C B A | ⊙ | PC | PC | PC | PC | G | G | G | G | G | G | G | G | G | G | G |



| CODE | DIM "M" MATING LENGTH | CONTACT TYPE |
|------|-----------------------|--------------|
| PC | [N/A] | POWER |
| G | [6.86] | SIGNAL |

| | | | | | | | | | | | | |
|---------------|---------------------------------------|-------|-------|-------------|----------------|------------|----------------|-------------|------------------------|----------|-----------|-----|
| spec ref | See Notes | | | dr | Ruan MT | 2013/09/04 | projection | MM ←→ | size | A4 | scale | 1:1 |
| tolerance std | TOLERANCES UNLESS OTHERWISE SPECIFIED | | | eng | Ruan MT | 2014/07/03 | | | ecn no | - | | |
| See Notes | | | | chr | - | - | | | rel level | Released | | |
| surface | linear | 0.X | ±0.50 | appr | Pei-Ming Zheng | 2014/07/03 | product family | PwrBlade | | rev | A | |
| | | 0.XX | ±0.25 | | | | title | 4ACP+40S | | dwg no | 51952-261 | |
| | | 0.XXX | ±0.10 | | | | cat. no. | &model_name | Product - Customer Drw | sheet | 1 of 4 | |
| | angular | 0° | ±2° | www.fci.com | | | | | | | | |

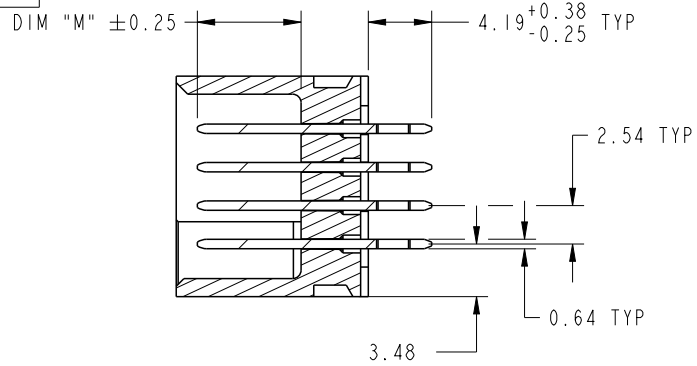


Copyright FCI.

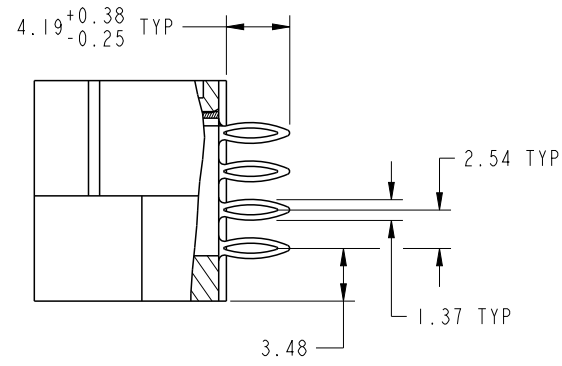
ProjE File - REV C - 2009-06-09

PRODUCT NUMBER

51952-261 --
NOTE 3



SECTION A-A
SCALE 2:1



SECTION B-B
SCALE 2:1

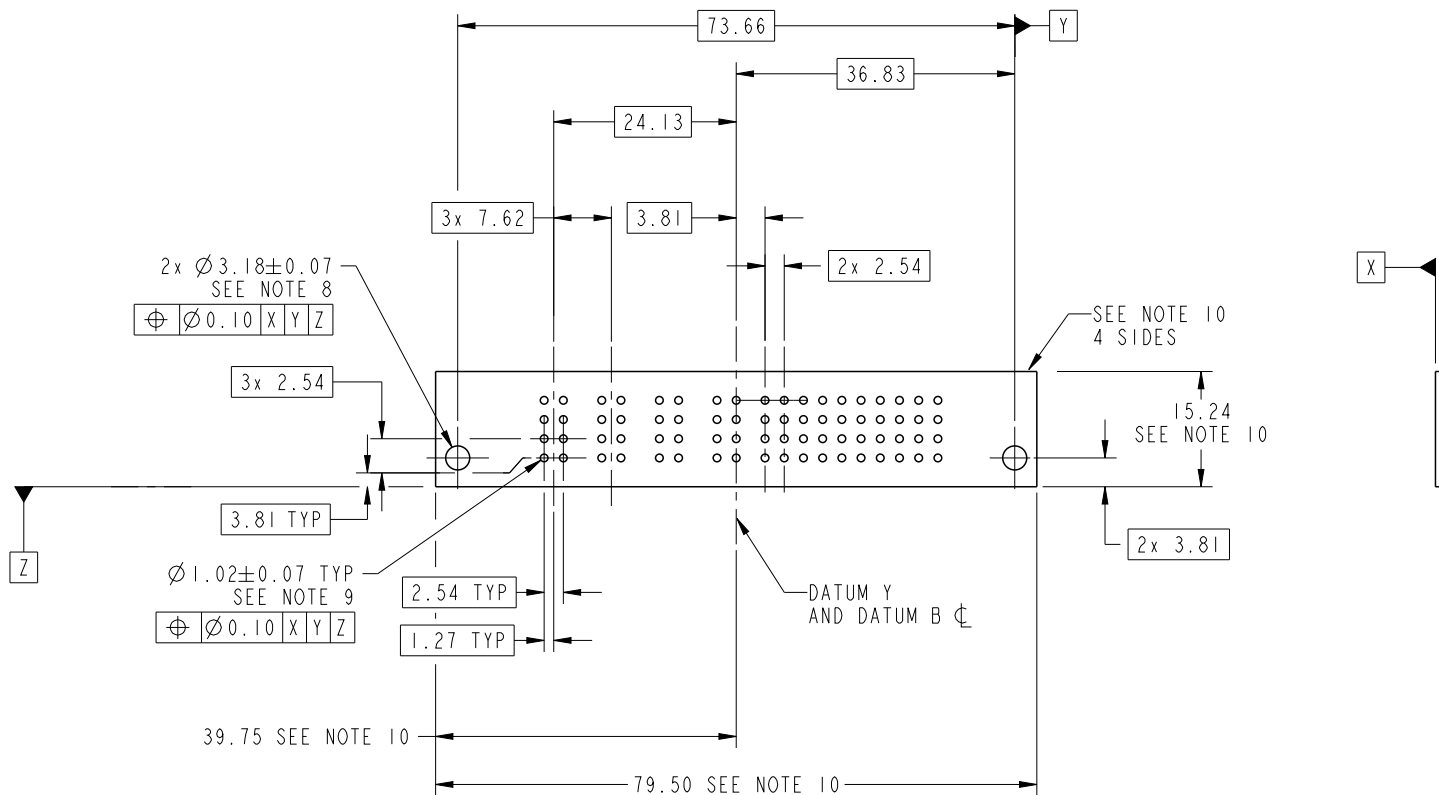


Copyright FCI.

| | | | | | | | | | |
|-------------|----------------|------------|----------------|------------------------|-----------|--------------|-------|-----|---|
| dr | Ruan MT | 2013/09/04 | projection | MM | size | A4 | scale | 1:1 | |
| eng | Ruan MT | 2014/07/03 | | | ecn no | - | | | |
| chr | - | - | | | rel level | Released | | | |
| appr | Pei-Ming Zheng | 2014/07/03 | product family | PwrBlade | | | | | |
| | | title | 4ACP+40S | | dwg no | 51952-261 | | rev | A |
| www.fci.com | | cat. no. | &model_name | Product - Customer Drw | | sheet 2 of 4 | | | |

PRODUCT NUMBER

51952-261 --
NOTE 3



RECOMMENDED PCB LAYOUT

| | | | | | | | | | |
|-------------|----------------|------------|---------------------------------------|------------------------|-----------|--------------|-------|-----|---|
| dr | Ruan MT | 2013/09/04 | projection | MM ←→ | size | A4 | scale | 1:1 | |
| eng | Ruan MT | 2014/07/03 | | | ecn no | - | | | |
| chr | - | - | | | rel level | Released | | | |
| appr | Pei-Ming Zheng | 2014/07/03 | product family | PwrBlade | | | | | |
| | | title | 4ACP+40S VERTICAL PRESS FIT HEADER | | dwg no | 51952-261 | | rev | A |
| www.fci.com | | cat. no. | &model_name | Product - Customer Drw | | sheet 3 of 4 | | | |



PRODUCT NUMBER

51952-261 --
NOTE 3

NOTES:

1. DIMENSIONS AND TOLERANCES ARE IN ACCORDANCE WITH ASME Y14.5M, 1994 UNLESS OTHERWISE SPECIFIED.

CONNECTOR NOTES:

- ② HOUSING MATERIAL: UL 94 V-0 GLASS FILLED HIGH-TEMP THERMOPLASTIC WHICH CAN WITHSTAND EXPOSURE TO 260°C PEAK TEMPERATURE FOR 10 SECONDS IN A CONVECTION INFRA-RAD OR VAPOR PHASE REFLOW OVEN.
POWER CONTACT MATERIAL: COPPER ALLOY
SIGNAL PIN MATERIAL: COPPER ALLOY
- 3. SEE ITEM 3 & 4 IN PRINT 10064183 FOR PLATING SPEC OF 51952-261 AND 51952-261LF RESPECTIVELY EXCEPT SOLDERING INFORMATION, SOLDERING INFORMATION REFER TO ABOVE NOTE 2.
- ④ MANUFACTURER'S NAME, DATE CODE AND OPTIONAL P/N TO APPEAR ON THIS SURFACE. THE MARK CAN BE OMITTED IF THERE IS NOT ENOUGH SPACE ON THIS SURFACE.
- 5. PRODUCT SPECIFICATION GS-12-149.
APPLICATION SPECIFICATION BUS-20-067 EXCEPT SOLDERING INFORMATION, SOLDERING INFORMATION REFER TO ABOVE NOTE 2.
- 6. PACKAGED IN TRAYS.

PCB NOTES:

- 7. ALL HOLE DIAMETERS ARE FINISHED HOLE SIZE.
- 8. MOUNTING HOLES, WHERE APPLICABLE, ARE UNPLATED.

- ⑨ $\varnothing 1.151 \pm 0.025$ DRILLED HOLES PLATED WITH 0.008 MIN SnPb OR Sn OVER .001 [0.03] TO 0.08 Cu PLATING TO ACHIEVE $\varnothing 1.02 \pm 0.07$ HOLE.

- ⑩ CONNECTOR KEEP-OUT ZONE.

| | | | | | | | | | |
|-------------|----------------|------------|----------------|---------------------------|------------------------|--------------|-----------|----------|---|
| dr | Ruan MT | 2013/09/04 | projection | MM | size | A4 | scale | 1:1 | |
| eng | Ruan MT | 2014/07/03 | | | ecn no | - | | | |
| chr | - | - | | | product family | PwrBlade | rel level | Released | |
| appr | Pei-Ming Zheng | 2014/07/03 | | | title | 4ACP+40S | | rev | A |
| www.fci.com | | | cat. no. | &model_name | Product - Customer Drw | sheet 4 of 4 | | | |
| | | | title | VERTICAL PRESS FIT HEADER | | dwg no | 51952-261 | | |



Copyright FCI.