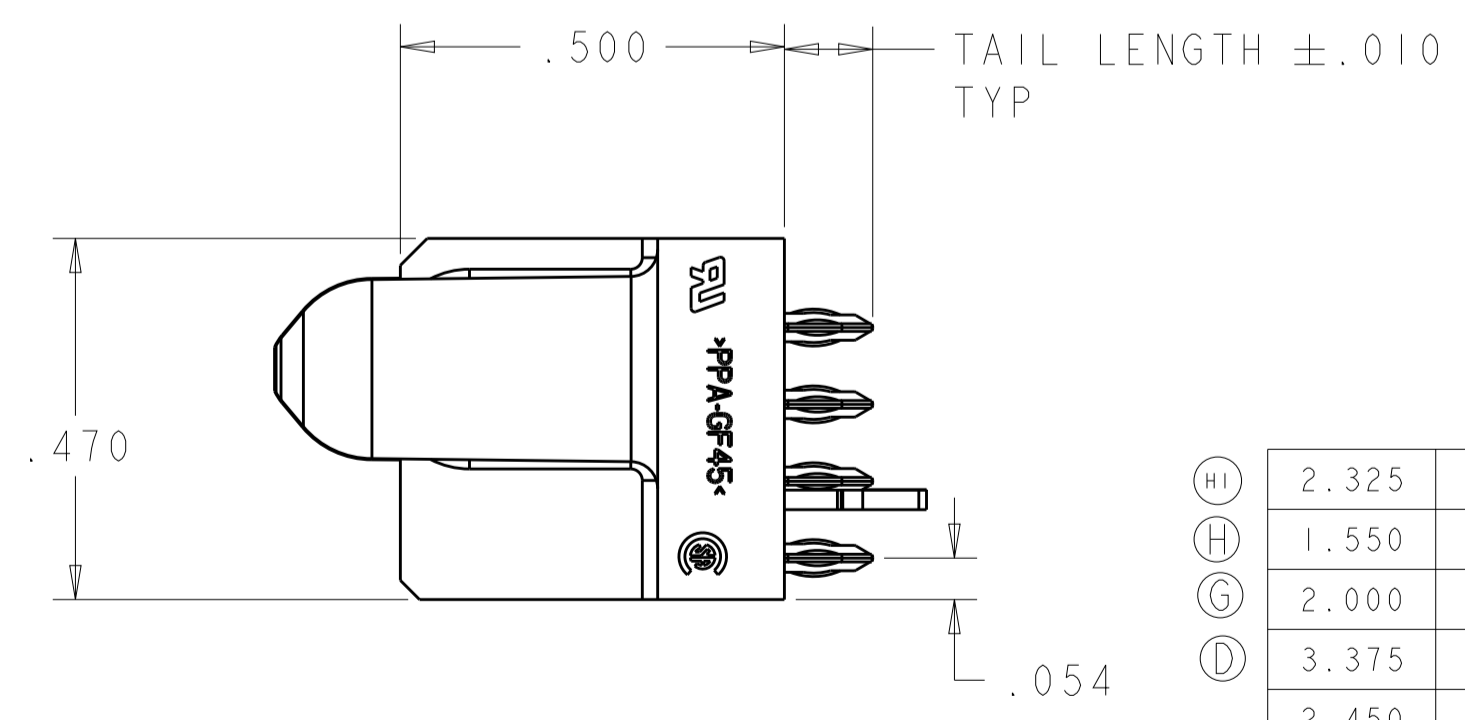
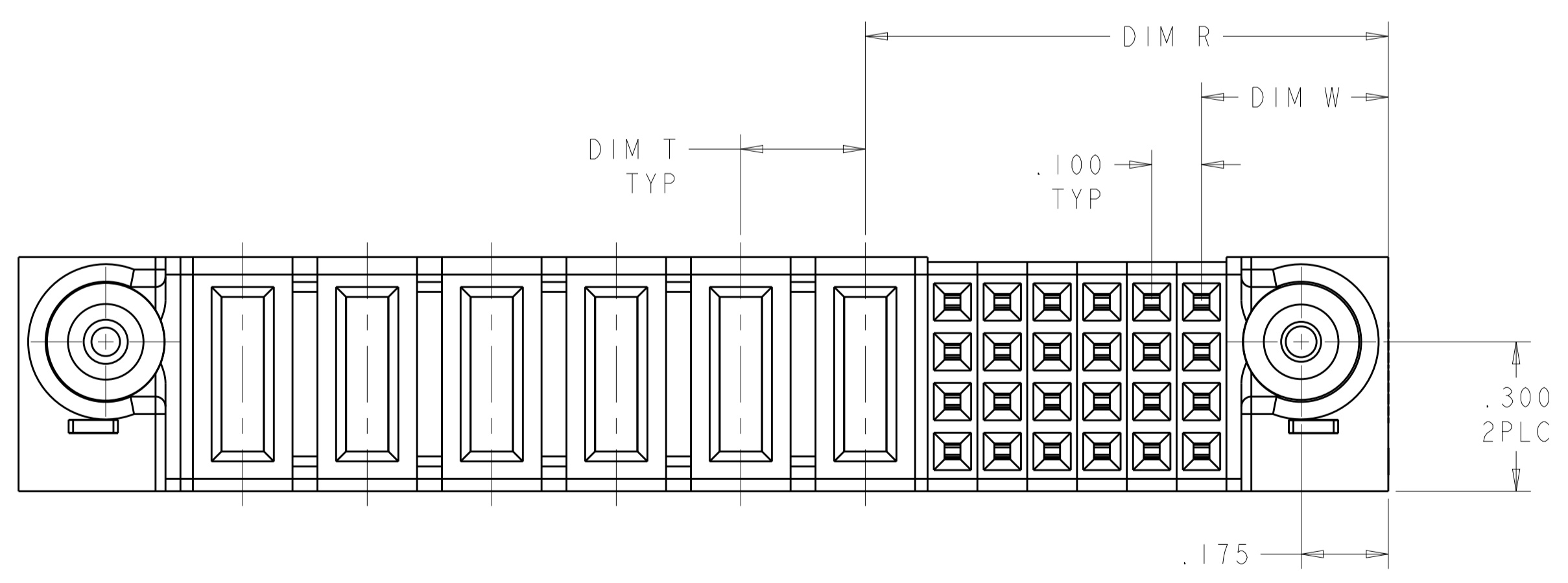
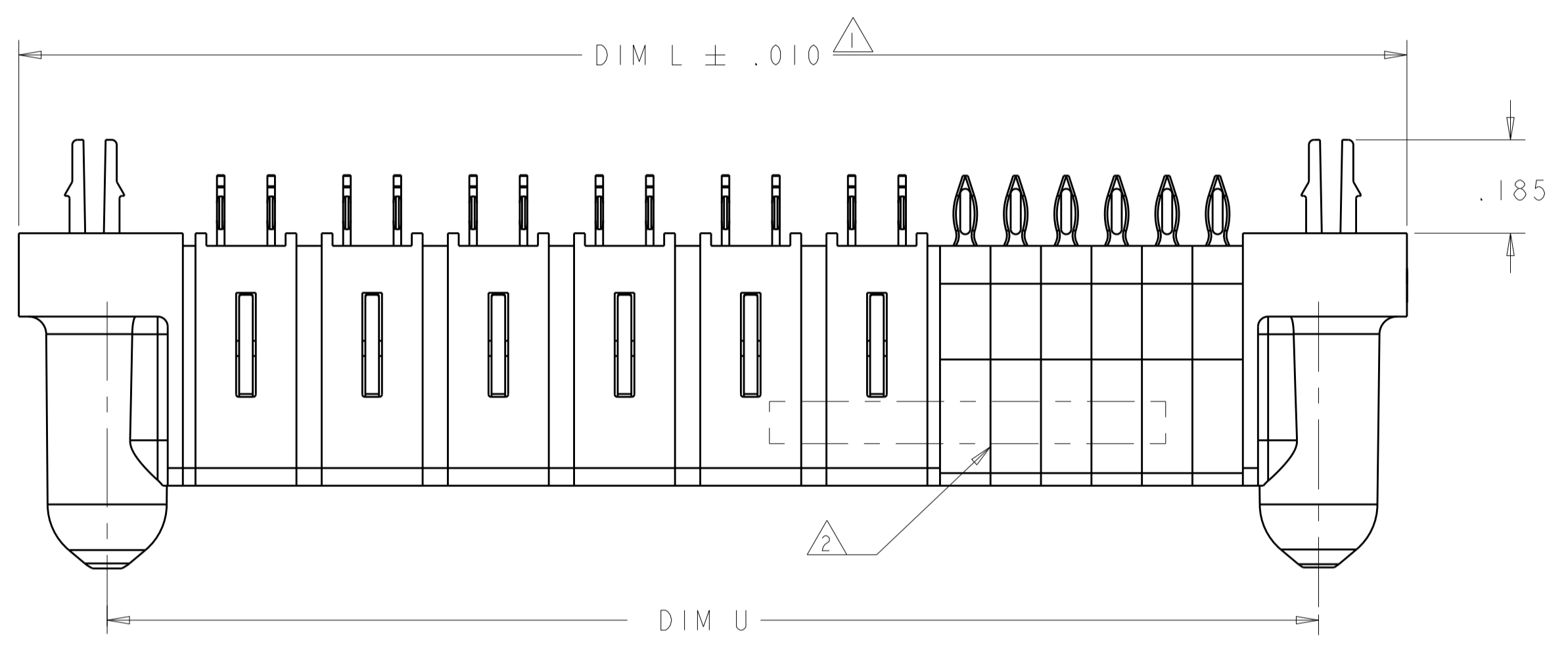
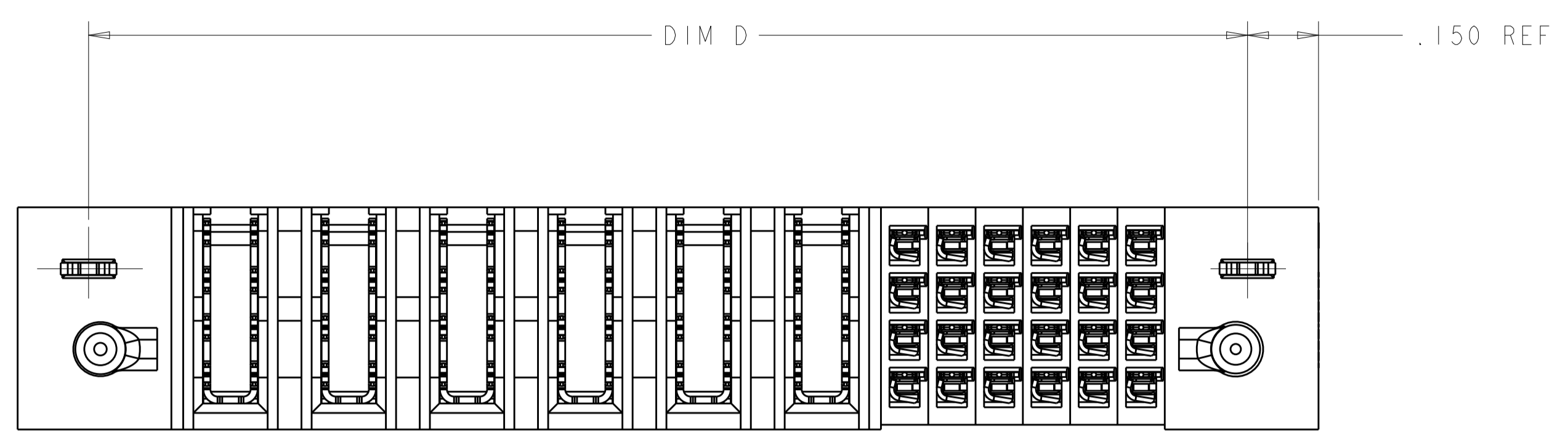


LOC		DIST		REVISIONS			
P	LTN	DESCRIPTION	DATE	DMN	APVD		
G1		ADDED NEW DASH NUMBER -10.	28DEC2010	IL	SZ		
H		REV PER ECR-11-001293	19JAN2011	IL	SZ		
H1		ADDED THE DASH NUMBER -11	29APR2011	ML	SZ		



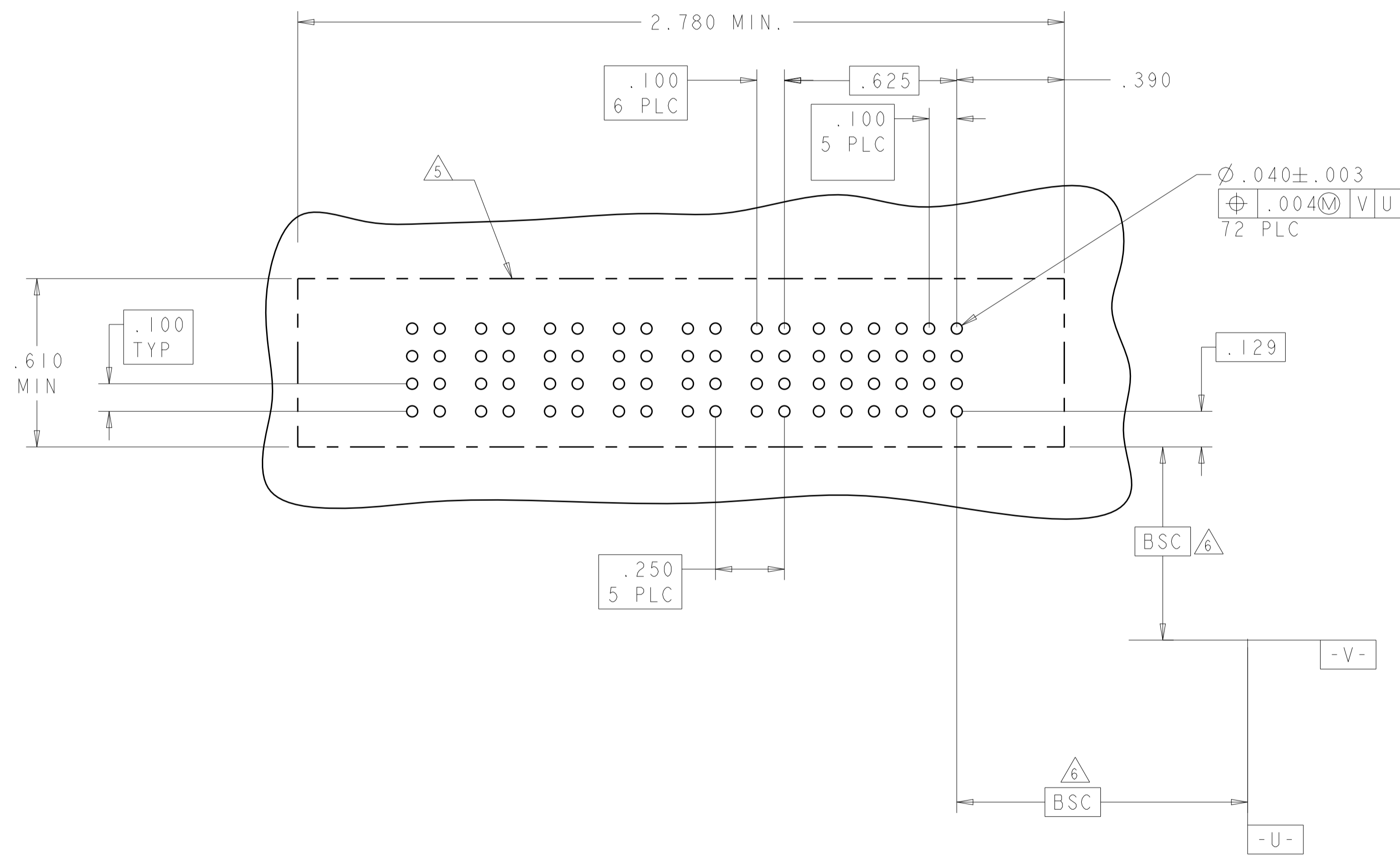
- 1 THE MAXIMUM OVERALL LENGTH OF A PART IS 8.00.
- 2 PART NUMBER, AND DATE CODE MARKED IN AREA SHOWN. MARKING ON BOTH SIDES PERMITTED FOR PARTS UNDER 2.00 LONG.
- 3 MATERIAL:  
 HOUSING - GLASS FILLED HIGH TEMP THERMO PLASTIC, UL94 V-0, BLACK  
 SIGNAL CONTACT - HIGH CONDUCTIVITY COPPER ALLOY  
 POWER CONTACT - HIGH CONDUCTIVITY COPPER ALLOY
- 4 CONTACT PLATING: NOBLE METAL PLATING ON CONTACT FUNCTIONAL AREA OF POWER AND SIGNAL CONTACTS
- 5 MECHANICAL CONNECTOR KEEP OUT ZONE.
- 6 DATUM AND BASIC DIMENSIONS ESTABLISHED BY CUSTOMER.
- 7 PCB - ALL HOLE DIAMETERS ARE FINISHED HOLE SIZES.
- 8 PCB - .0453±.0010 DRILLED HOLES PLATED WITH .0003 MIN Sn OVER .001 TO .003 Cu PLATING TO ACHIEVE A .040 HOLE.

2.325	2.275	.250	.925	.425	2.625	16S + 6P	1-6450551-1
1.550	1.500	.200	.825	.375	1.850	16S + 4P	1-6450551-0
2.000	1.950	.250	.850	.375	2.300	16S + 5P	6450551-9
3.375	3.325	.200	1.050	.375	3.675	24S + 12HDP	6450551-8
2.450	2.400	.250	1.050	.375	2.750	24S + 6P	6450551-7
3.000	2.950	.200	1.050	.375	3.300	24S + 10HDP	6450551-6
4.650	4.600	.250	1.250	.375	4.950	32S + 14P	6450551-5
3.375	3.325	.200	1.050	.375	3.675	24S + 12HDP	6450551-4
2.450	2.400	.250	1.050	.375	2.750	24S + 6P	6450551-1
D	U	T	R	W	L	DESCRIPTION	PART NUMBER

DIMENSIONS: INCHES		TOLERANCES UNLESS OTHERWISE SPECIFIED: 0 PLC ±.1 1 PLC ±.05 2 PLC ±.02 3 PLC ±.005 4 PLC ±.0005 ANGLES ±.1		DIMENSIONS: INCHES		TOLERANCES UNLESS OTHERWISE SPECIFIED: 0 PLC ±.1 1 PLC ±.05 2 PLC ±.02 3 PLC ±.005 4 PLC ±.0005 ANGLES ±.1		DIMENSIONS: INCHES		TOLERANCES UNLESS OTHERWISE SPECIFIED: 0 PLC ±.1 1 PLC ±.05 2 PLC ±.02 3 PLC ±.005 4 PLC ±.0005 ANGLES ±.1	
MATERIAL:		FINISH:		WEIGHT:		CUSTOMER DRAWING		SCALE: 2:1		SHEET 1 OF 8	

LOC		DIST		REVISIONS			
		P	LTN	DESCRIPTION	DATE	DMN	APVD
-	-	-	-	SEE SHEET 1	-	-	-

PART NUMBER	ROWS	POWER						SIGNAL					
		P6	P5	P4	P3	P2	P1	6	5	4	3	2	1
6450551-1	D C B A	GS	GS	GS	GP	GP	GP	AP	AP	AP	AP	AP	AP
		GS	GS	GS	GP	GP	GP	AP	AP	AP	AP	AP	
		GS	GS	GS	GP	GP	GP	AP	AP	AP	AP	AP	
		GS	GS	GS	GP	GP	GP	AP	AP	AP	AP	AP	
24S + 6P													

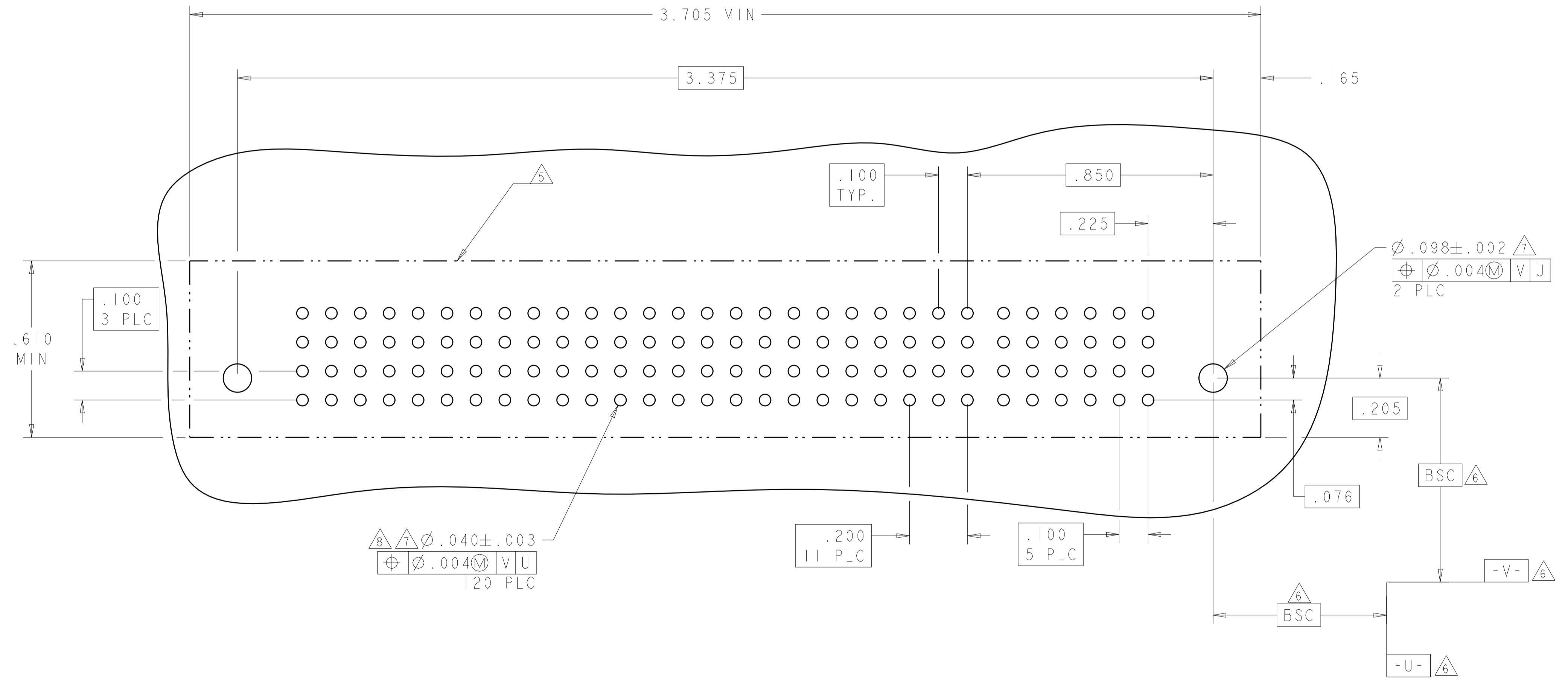


DESCRIPTION	CODE
SIGNAL CONTACT, .135 TAIL LENGTH	AP
POWER CONTACT, STD .135 TAIL LENGTH	GS
POWER CONTACT, MFBL .135 TAIL LENGTH	GP

<small>THIS DRAWING IS UNPUBLISHED. RELEASED FOR PUBLICATION 20. IT IS THE PROPERTY OF TYCO ELECTRONICS CORPORATION. IT IS SUBJECT TO CHANGE AND WITHOUT WARRANTY OF MERCHANTABILITY. SHOULD BE CONTACTED FOR THE LATEST REVISION.</small>		DWN: 02AUG2007 CHK: LESSON, L.L. SUNNY, ZHAO	Tyco Electronics Corporation Shanghai, P.R. China, 200233
DIMENSIONS: INCHES	TOLERANCES UNLESS OTHERWISE SPECIFIED: 0 PLC ±.1 1 PLC ±0.1 2 PLC ±0.02 3 PLC ±0.005 4 PLC ±0.0005 ANGLES ±.1	NAME: STEVEN YAO PRODUCT SPEC: 108-1973 APPLICATION SPEC: 114-13038 WEIGHT: -	SIZE: A CAGE CODE: 00779 DRAWING NO: 6450551 CUSTOMER DRAWING
MATERIAL: - FINISH: -		SCALE: 2:1 SHEET: 2 OF 8 REV: H2	RESTRICTED TO: -

LOC		DIST		REVISIONS			
P	LTN	DESCRIPTION	DATE	DMN	APVD		
-	-	SEE SHEET 1	-	-	-		

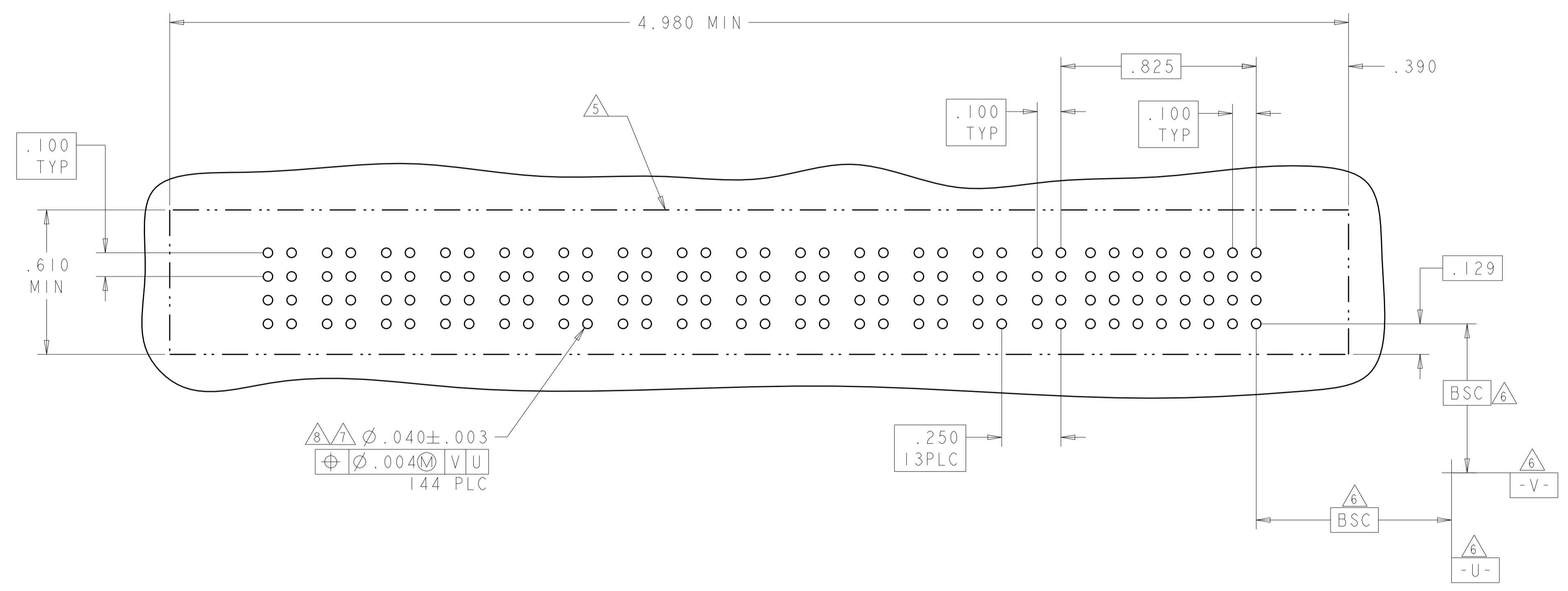
PART NUMBER	ROWS	POWER											SIGNAL								
		PI2	PI1	PI0	P9	P8	P7	P6	P5	P4	P3	P2	P1	6	5	4	3	2	1		
6450551-4	D C B A	HD	GS	GS	GS	GS	GS	GS	GP	GP	GP	GP	GP	GP	GP	AP	AP	AP	AP	AP	AP
			GS	GS	GS	GS	GS	GP	GP	GP	GP	GP	GP	GP	GP	AP	AP	AP	AP	AP	AP
			GS	GS	GS	GS	GS	GP	GP	GP	GP	GP	GP	GP	GP	AP	AP	AP	AP	AP	AP
			GS	GS	GS	GS	GS	GP	GP	GP	GP	GP	GP	GP	GP	AP	AP	AP	AP	AP	AP
24S + 12HDP																					



<small>THIS DRAWING IS UNPUBLISHED. RELEASED FOR PUBLICATION. IT IS THE PROPERTY OF TYCO ELECTRONICS CORPORATION. IT IS TO BE USED ONLY FOR THE PURPOSES AND IN THE QUANTITIES SPECIFIED IN THE ORDER. IT IS TO BE RETURNED TO TYCO ELECTRONICS CORPORATION IF NOT SO. THIS DRAWING IS UNPUBLISHED. RELEASED FOR PUBLICATION. IT IS THE PROPERTY OF TYCO ELECTRONICS CORPORATION. IT IS TO BE USED ONLY FOR THE PURPOSES AND IN THE QUANTITIES SPECIFIED IN THE ORDER. IT IS TO BE RETURNED TO TYCO ELECTRONICS CORPORATION IF NOT SO.</small>		DMN: LESSON, L.L. 02AUG2007 CHK: SUNNY, ZHAO 02AUG2007 APVD: STEVEN, YAO	Tyco Electronics Corporation Shanghai, P.R. China, 200233
DIMENSIONS: INCHES	TOLERANCES UNLESS OTHERWISE SPECIFIED: 0 PLC ±.1 1 PLC ±0.02 2 PLC ±0.02 3 PLC ±0.005 4 PLC ±0.0005 ANGLES ±.1	NAME: STEVEN, YAO PRODUCT SPEC: 108-1973 APPLICATION SPEC: 114-13038 WEIGHT: -	SIZE: A100779 CAGE CODE: C=6450551 CUSTOMER DRAWING
MATERIAL: -	FINISH: -	SCALE: 2:1	SHEET 3 OF 8 REV: H2

LOC	DIST	REV	DATE	BY	APPV
-	-	1	-	-	-
DESCRIPTION			DATE	BY	APPV
SEE SHEET 1			-	-	-

PART NUMBER	ROWS	POWER														SIGNAL							
		P14	P13	P12	P11	P10	P9	P8	P7	P6	P5	P4	P3	P2	P1	8	7	6	5	4	3	2	1
6450551-5	D C B A	GS	GP	GS	GP	GS	GP	GS	GP	GS	GP	GS	GP	GS	GP	AP	AP	AP	AP	AP	AP	AP	AP
		GS	GP	GS	GP	GS	GP	GS	GP	GS	GP	GS	GP	GS	GP	AP	AP	AP	AP	AP	AP	AP	AP
		GS	GP	GS	GP	GS	GP	GS	GP	GS	GP	GS	GP	GS	GP	AP	AP	AP	AP	AP	AP	AP	AP
		GS	GP	GS	GP	GS	GP	GS	GP	GS	GP	GS	GP	GS	GP	AP	AP	AP	AP	AP	AP	AP	AP
32S + 14P																							

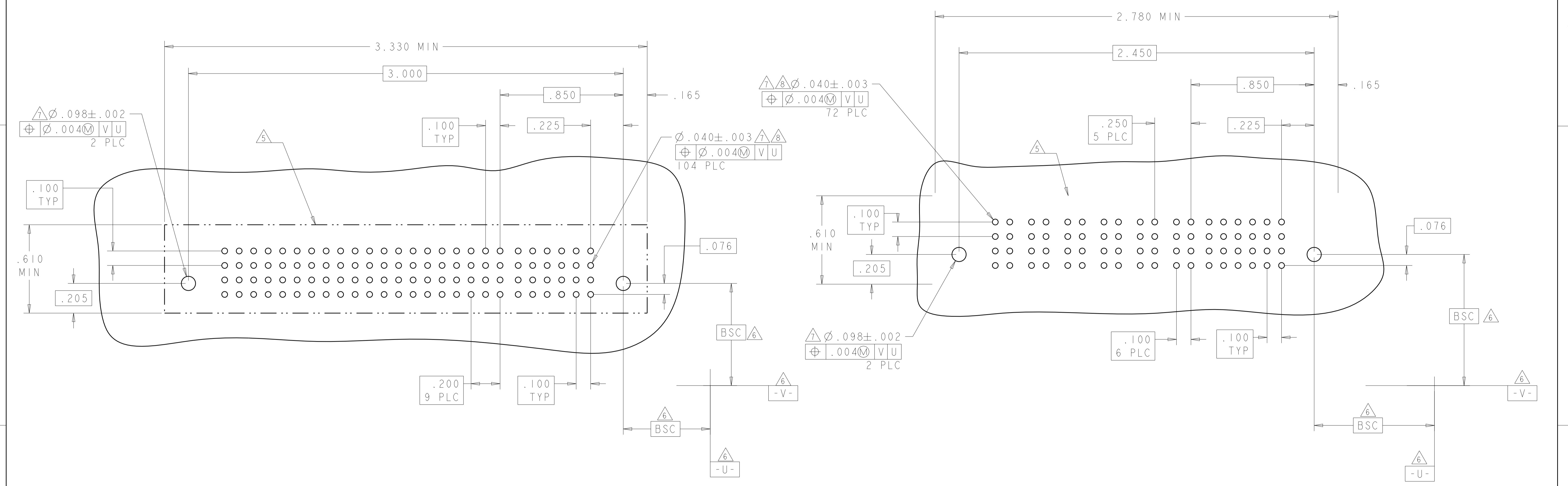


<small>THIS DRAWING IS UNPUBLISHED. RELEASED FOR PUBLICATION 20. COPYRIGHT 20 BY TYCO ELECTRONICS CORPORATION. ALL RIGHTS RESERVED.</small>		DWN: LESSON.LL 02AUG2007 CHK: SUNNY.ZHAO 02AUG2007 APV: STEVEN.YAO	Tyco Electronics Corporation Shanghai, P.R.China. 200233
DIMENSIONS: INCHES TOLERANCES UNLESS OTHERWISE SPECIFIED: 0 PLC ±.1 1 PLC ±0.1 2 PLC ±0.02 3 PLC ±0.005 4 PLC ±0.0005 ANGLES ±.1		NAME: STEVEN.YAO PRODUCT SPEC: 108-1973 APPLICATION SPEC: 114-13038 WEIGHT: -	NAME: VERTICAL RECEPTACLE ASSEMBLY WITH GUIDES, PRESS-FIT, MULTI-BEAM XL SIZE: A1 CAGE CODE: 00779 DRAWING NO: 6450551 RESTRICTED TO: -
MATERIAL: - FINISH: -		CUSTOMER DRAWING	SCALE: 2:1 SHEET: 4 OF 8 REV: H2

LOC		DIST		REVISIONS			
P	LTN	DESCRIPTION	DATE	DWN	APVD		
-	-	SEE SHEET 1	-	-	-		

PART NUMBER	ROWS	POWER										SIGNAL							
		P10	P9	P8	P7	P6	P5	P4	P3	P2	P1	6	5	4	3	2	1		
6450551-6	DCBA	GS	GS	GP	GP	GP	GP	GP	GS	GS	GS	AP	AP	AP	AP	AP	AP		
		GS	GS	GP	GP	GP	GP	GP	GS	GS	GS	AP	AP	AP	AP	AP	AP		
		GS	GS	GP	GP	GP	GP	GP	GS	GS	GS	AP	AP	AP	AP	AP	AP		
24S + 10HDP																			

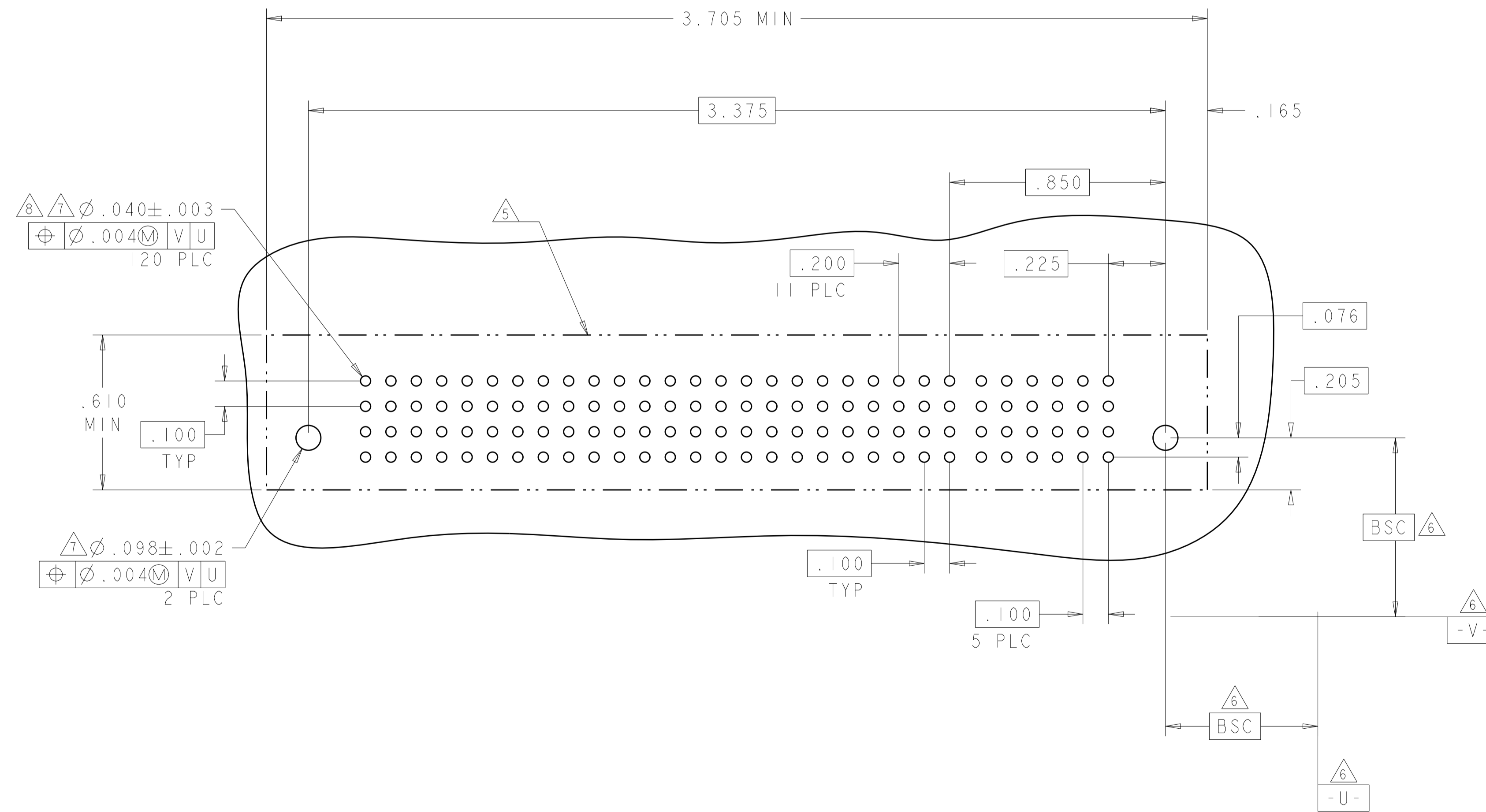
PART NUMBER	ROWS	POWER						SIGNAL					
		P6	P5	P4	P3	P2	P1	6	5	4	3	2	1
6450551-7	DCBA	GP	GP	GS	GS	GS	GS	AP	AP	AP	AP	AP	AP
		GP	GP	GS	GS	GS	GS	AP	AP	AP	AP	AP	AP
		GP	GP	GS	GS	GS	GS	AP	AP	AP	AP	AP	AP
24S + 6P													



DIMENSIONS: INCHES 		TOLERANCES UNLESS OTHERWISE SPECIFIED: 0 PLC ±.1 1 PLC ±0.02 2 PLC ±0.05 3 PLC ±0.005 4 PLC ±.0005 ANGLES ±.005 FINISH		DWN LESSON.LL 02AUG2007 CHK SUNNY.ZHAO 02AUG2007 APVD STEVEN.YAO NAME PRODUCT SPEC 108-1973 APPLICATION SPEC 114-13038 WEIGHT CUSTOMER DRAWING		Tyco Electronics Corporation Shanghai, P.R. China, 200233 VERTICAL RECEPTACLE ASSEMBLY WITH GUIDES, PRESS-FIT, MULTI-BEAM XL SIZE CAGE CODE DRAWING NO. RESTRICTED TO A1100779C=6450551 SCALE 2:1 SHEET 5 OF 8 REV H2	
---------------------------	--	---	--	---	--	--	--

LOC		DIST		REVISIONS			
P	LTN	DESCRIPTION	DATE	OWN	APVD		
-	-	SEE SHEET 1	-	-	-		

PART NUMBER	ROWS	POWER											SIGNAL							
		P12	P11	P10	P9	P8	P7	P6	P5	P4	P3	P2	P1	6	5	4	3	2	1	
6450551-8	D C B A	GS	GS	GP	GP	GP	GP	GP	GP	GS	GS	GS	GS	AP	AP	AP	AP	AP	AP	
		GS	GS	GP	GP	GP	GP	GP	GP	GS	GS	GS	GS	AP	AP	AP	AP	AP	AP	
		GS	GS	GP	GP	GP	GP	GP	GP	GS	GS	GS	GS	AP	AP	AP	AP	AP	AP	
		GS	GS	GP	GP	GP	GP	GP	GP	GS	GS	GS	GS	AP	AP	AP	AP	AP	AP	
24S + 12HDP																				



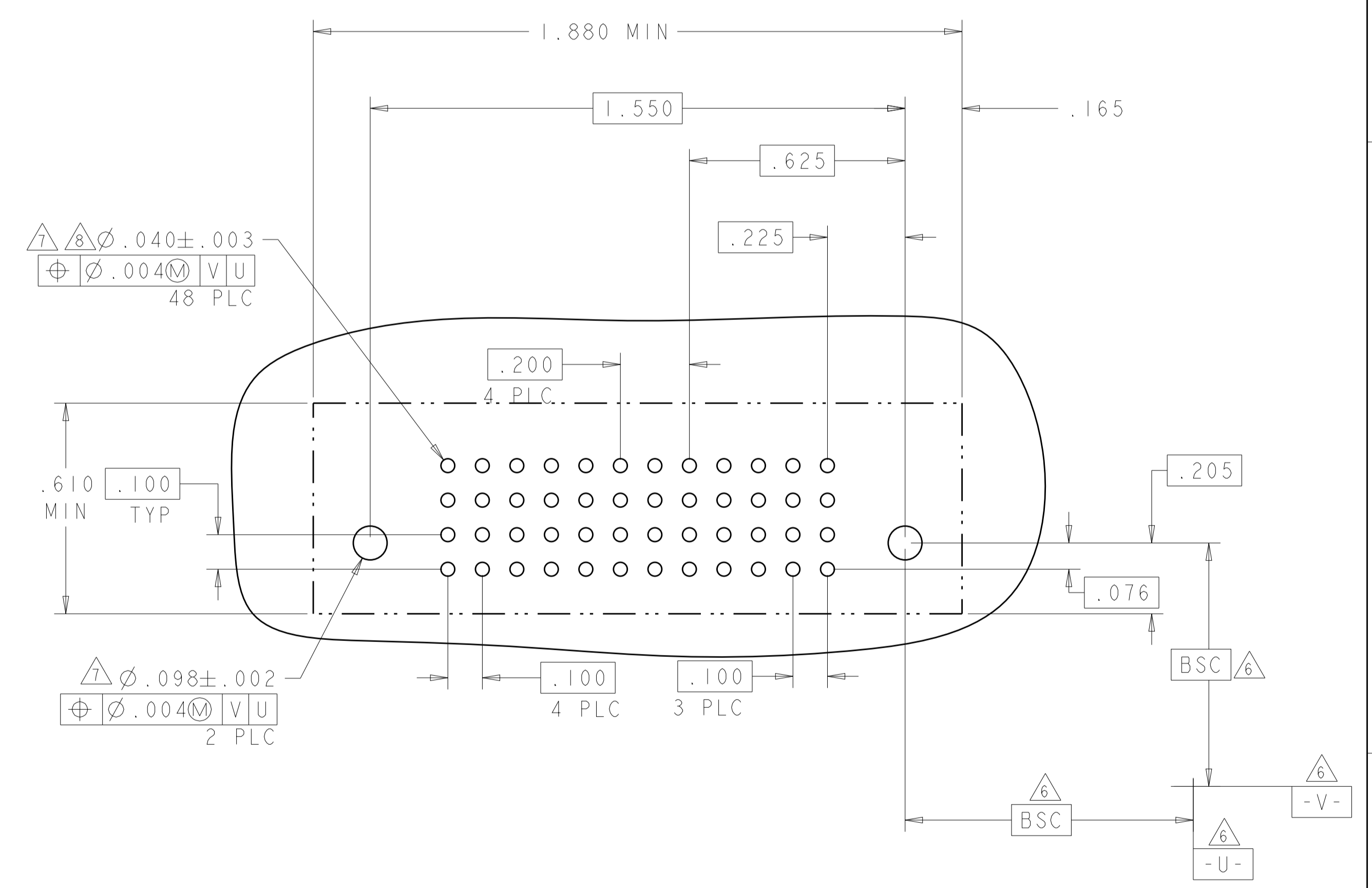
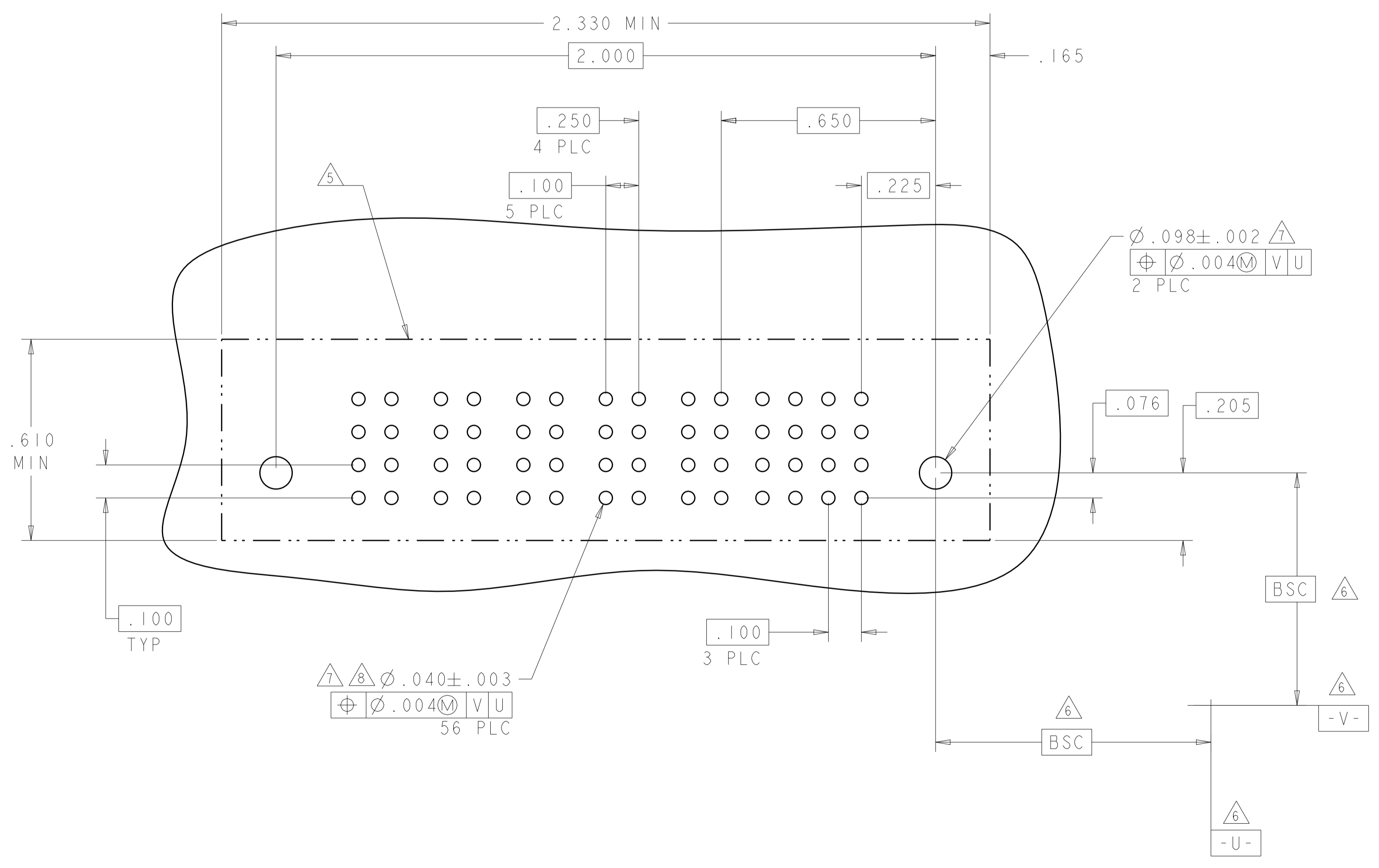
DIMENSIONS:		TOLERANCES UNLESS OTHERWISE SPECIFIED:		DWN		Tyco Electronics	
INCHES	0 PLC ± .1	1 PLC ± 0.1	2 PLC ± 0.2	3 PLC ± 0.05	4 PLC ± 0.005	ANGLES ± .1	FINISH
	LESSON.LL	02AUG2007	CHK	SUNNY.ZHAO	02AUG2007	APVD	STEVEN.YAO
	PRODUCT SPEC		108-1973		APPLICATION SPEC		114-13038
	MATERIAL		WEIGHT		SCALE		2:1
	CUSTOMER DRAWING		A100779		C=6450551		SHEET 6 OF 8
	RESTRICTED TO		REV		H2		

LOC	DIST	REV	DATE	BY	APPV
-	-	1	-	-	-
		REVISIONS			
P. LTH		DESCRIPTION		DATE	
-		SEE SHEET 1		-	

ASSY PART NUMBER	ROWS	POWER					SIGNAL			
		P5	P4	P3	P2	PI	4	3	2	1
6450551-9	D C B A	GP	GS	GS	GS	GP	AP	AP	AP	AP
							AP	AP	AP	AP
							AP	AP	AP	AP
							AP	AP	AP	AP
16S + 5P		HD		HD						

⑥

PART NUMBER	ROWS	POWER				SIGNAL			
		P4	P3	P2	PI	4	3	2	1
1-6450551-0	D C B A	GP	GP	GS	GS	AP	AP	AP	AP
						AP	AP	AP	AP
						AP	AP	AP	AP
						AP	AP	AP	AP
16S + 4P		HD		HD					

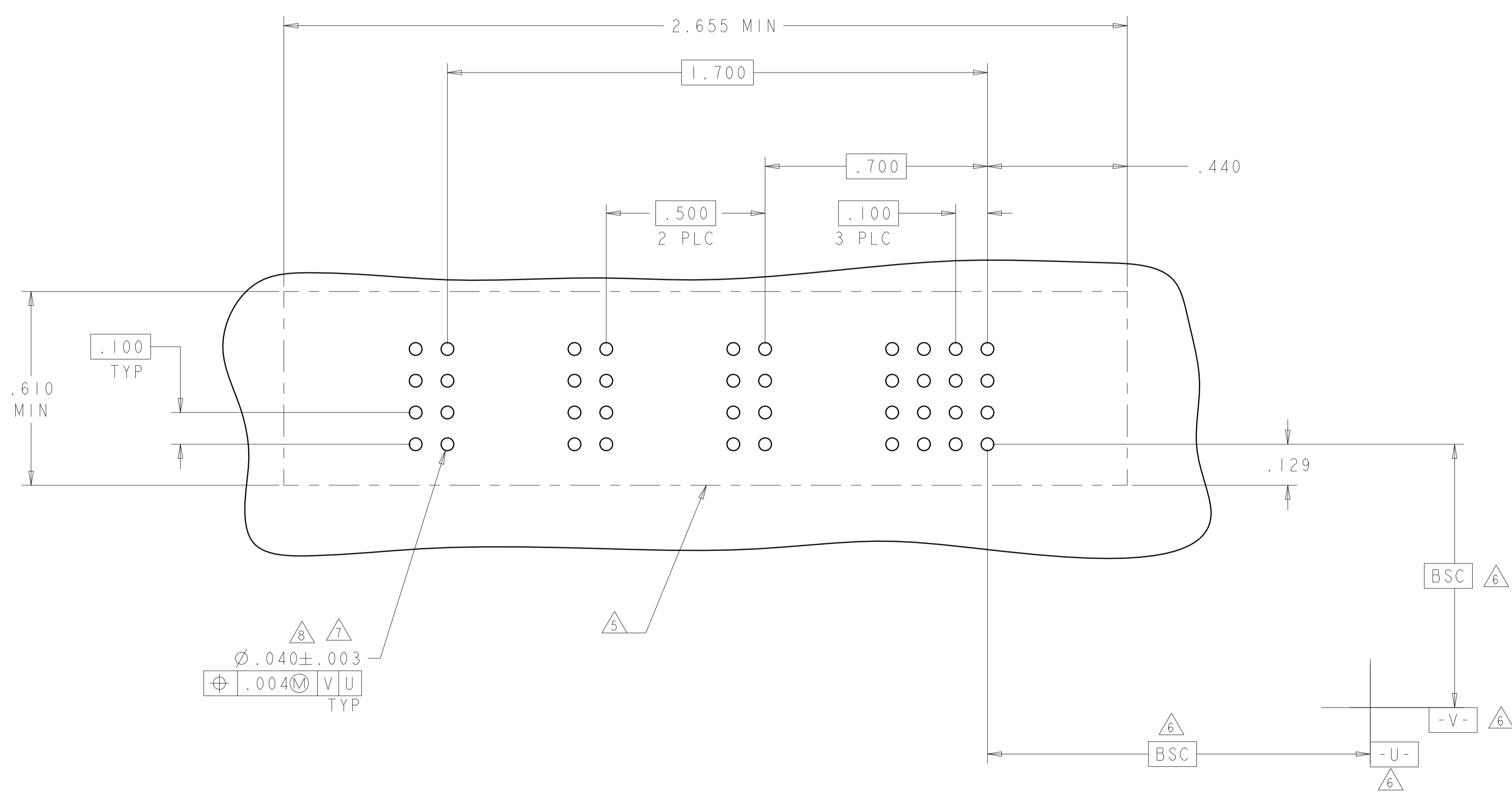


DIMENSIONS: INCHES:		TOLERANCES UNLESS OTHERWISE SPECIFIED: 0 PLC ±.1 1 PLC ±0.1 2 PLC ±0.02 3 PLC ±0.005 4 PLC ±0.0005 ANGLES ±.1		DWN: LESSON, L.L. 02AUG2007 CHK: SUNNY, ZHAO 02AUG2007 APV: STEVEN, YAO		Tyco Electronics Corporation Shanghai, P.R. China, 200233	
MATERIAL:		FINISH:		PRODUCT SPEC: 108-1973 APPLICATION SPEC: 114-13038 WEIGHT:		NAME: VERTICAL RECEPTACLE ASSEMBLY WITH GUIDES, PRESS-FIT, MULTI-BEAM XL SIZE: CAGE CODE DRAWING NO: A1100779C=6450551 RESTRICTED TO:	
CUSTOMER DRAWING				SCALE: 2:1		SHEET 7 OF 8 REV: H2	

LOC		DIST		REVISIONS			
P	LTN	DESCRIPTION	DATE	DWN	APVD		
-	-	SEE SHEET 1	-	-	-		

PART NUMBER	ROWS	POWER						SIGNAL			
		P6	P5	P4	P3	P2	P1	4	3	2	1
1-6450551-1	D C B A	GS	GS	GP	GP	GP	AP	AP	AP	AP	
							AP	AP	AP	AP	
							AP	AP	AP	AP	
							AP	AP	AP	AP	
16S + 6P											

NO CONTACTS LOADED



<small>THIS DRAWING IS UNPUBLISHED. RELEASED FOR PUBLICATION. IT IS THE PROPERTY OF TYCO ELECTRONICS CORPORATION. IT IS TO BE USED ONLY FOR THE PURPOSES AND IN THE QUANTITIES SPECIFIED IN THE ORDER. IT IS TO BE RETURNED TO TYCO ELECTRONICS CORPORATION IF NOT SO USED.</small>		DWN: LESSON, L L 02AUG2007 CHK: SUNNY, ZHAO 02AUG2007 APVD: STEVEN, YAO	Tyco Electronics Corporation Shanghai, P.R. China, 200233
DIMENSIONS: INCHES 		TOLERANCES UNLESS OTHERWISE SPECIFIED: 0 PLC ±.1 1 PLC ±0.1 2 PLC ±0.02 3 PLC ±0.005 4 PLC ±0.0005 ANGLES ±.1	NAME: VERTICAL RECEPTACLE ASSEMBLY WITH GUIDES, PRESS-FIT, MULTI-BEAM XL PRODUCT SPEC: 108-1973 APPLICATION SPEC: 114-13038 WEIGHT: - CUSTOMER DRAWING
MATERIAL: - FINISH: -		SIZE: A100779 CAGE CODE: C=6450551 SCALE: 2:1 SHEET: 8 OF 8 REV: H2	RESTRICTED TO: -