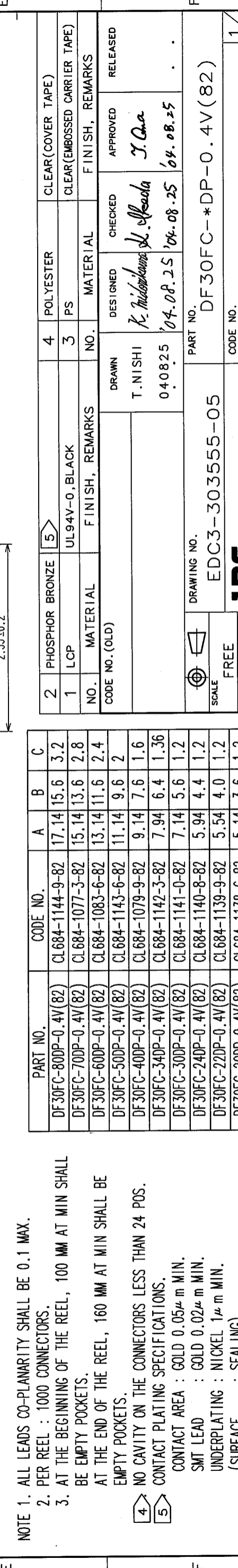
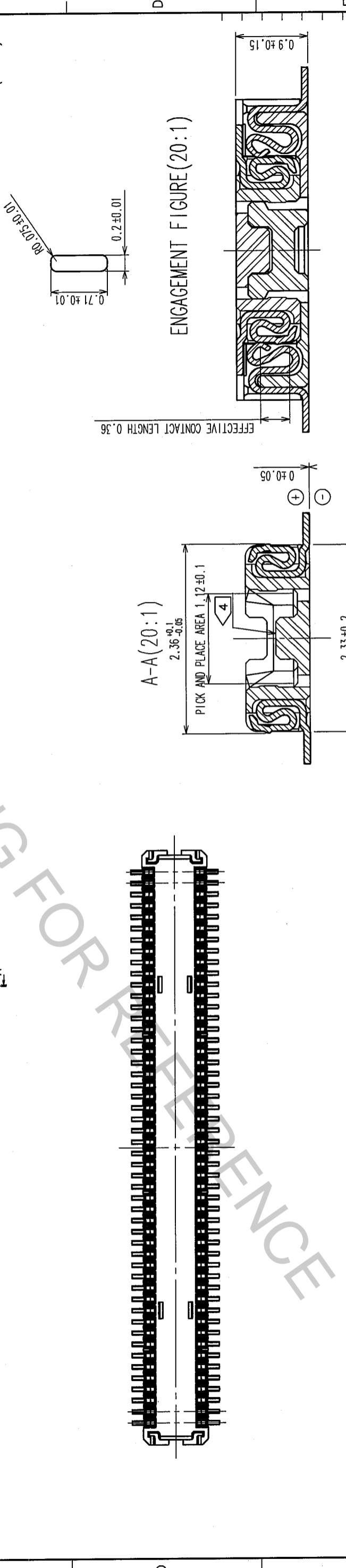
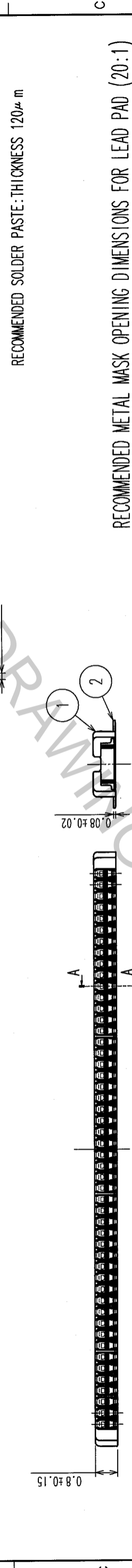
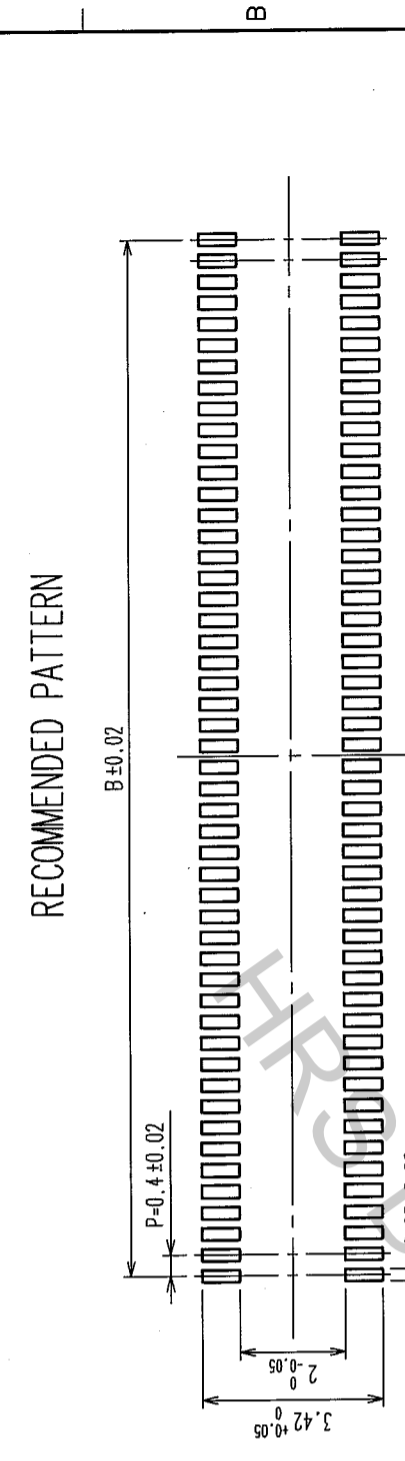
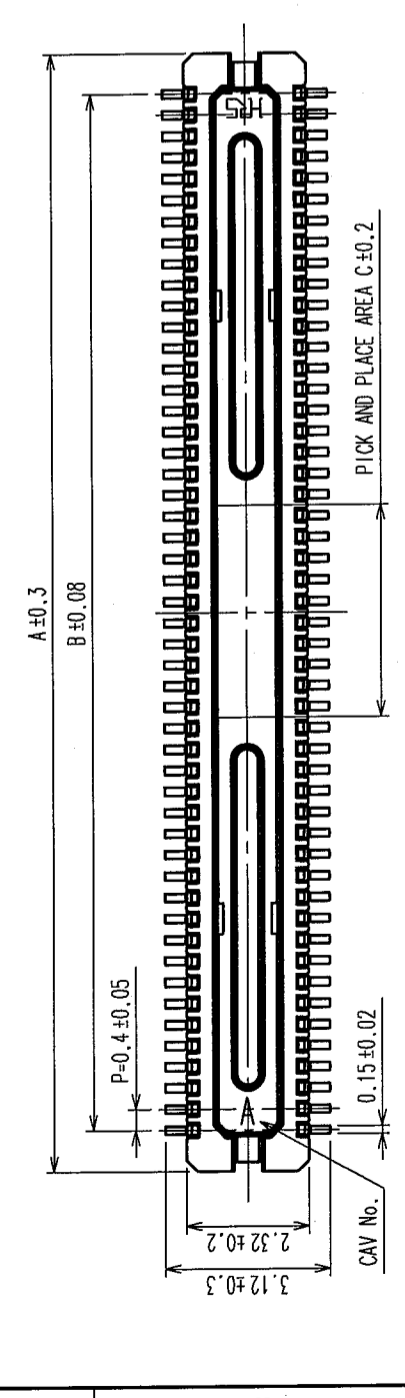


COUNT	DESCRIPTION OF REVISIONS	BY	CHKD	DATE	COUNT	DESCRIPTION OF REVISIONS	BY	CHKD	DATE



NOTE 1. ALL LEADS CO-PLANARITY SHALL BE 0.1 MAX.
 2. PER REEL : 1000 CONNECTORS.
 3. AT THE BEGINNING OF THE REEL, 100 MM AT MIN SHALL BE EMPTY POCKETS.
 AT THE END OF THE REEL, 160 MM AT MIN SHALL BE EMPTY POCKETS.
 NO CAVITY ON THE CONNECTORS LESS THAN 24 POS.
 CONTACT PLATING SPECIFICATIONS.
 CONTACT AREA : GOLD 0.05µm MIN.
 SMT LEAD : GOLD 0.02µm MIN.
 UNDERPLATING : NICKEL 1µm MIN.
 (SURFACE : SEALING)

PART NO.	CODE NO.	A	B	C
DF30FC-80DP-0.4V(82)	CL684-1144-9-82	17.14	15.6	3.2
DF30FC-70DP-0.4V(82)	CL684-1077-3-82	15.14	13.6	2.8
DF30FC-60DP-0.4V(82)	CL684-1083-6-82	13.14	11.6	2.4
DF30FC-50DP-0.4V(82)	CL684-1143-6-82	11.14	9.6	2
DF30FC-40DP-0.4V(82)	CL684-1079-9-82	9.14	7.6	1.6
DF30FC-34DP-0.4V(82)	CL684-1142-3-82	7.94	6.4	1.36
DF30FC-30DP-0.4V(82)	CL684-1141-0-82	7.14	5.6	1.2
DF30FC-24DP-0.4V(82)	CL684-1140-8-82	5.94	4.4	1.2
DF30FC-22DP-0.4V(82)	CL684-1139-9-82	5.54	4.0	1.2
DF30FC-20DP-0.4V(82)	CL684-1138-6-82	5.14	3.6	1.2

NO.	MATERIAL	FINISH, REMARKS	NO.	MATERIAL	FINISH, REMARKS
2	PHOSPHOR BRONZE	UL94V-0, BLACK	4	POLYESTER	CLEAR(COVER TAPE)
1	LCP		3	PS	CLEAR(EMBOSSED CARRIER TAPE)

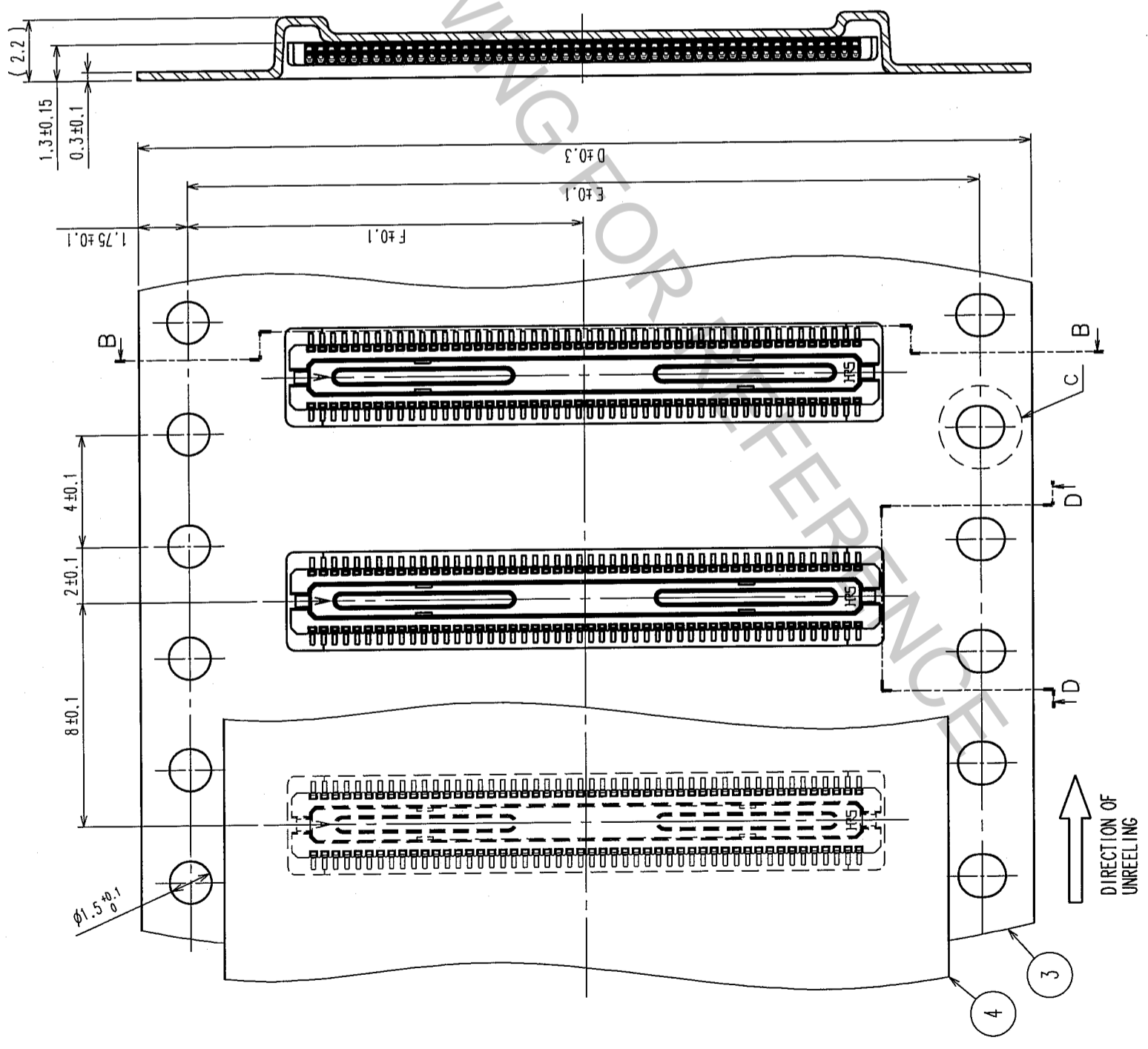
CODE NO. (OLD)	DESIGNED	CHECKED	APPROVED	RELEASED
	T.NISHI	K. Mitsuhashi	J. Oka	
	04.08.25	04.08.25	04.08.25	

DRAWING NO.	PART NO.
EDC3-303555-05	DF30FC-*DP-0.4V(82)

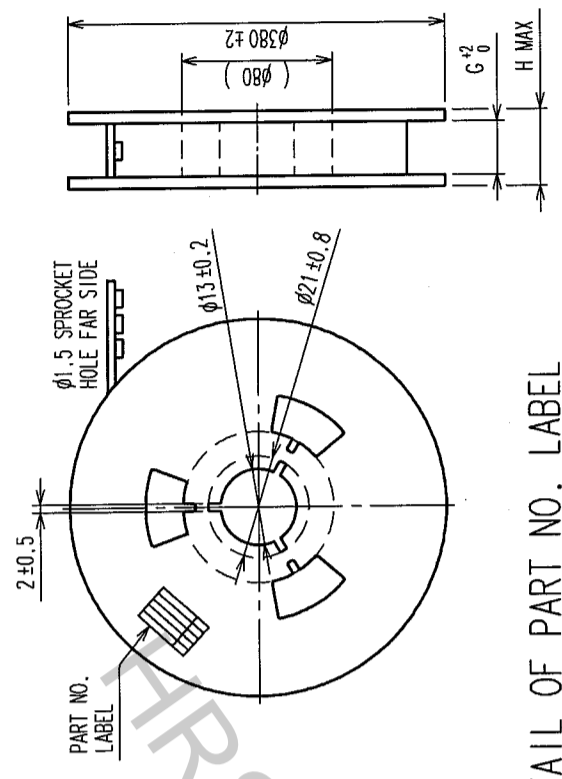
SCALE	UNITS	CODE NO.
FREE	MM	CL684-***-**-82

COUNT	DESCRIPTION OF REVISIONS	BY	CHKD	DATE	COUNT	DESCRIPTION OF REVISIONS	BY	CHKD	DATE

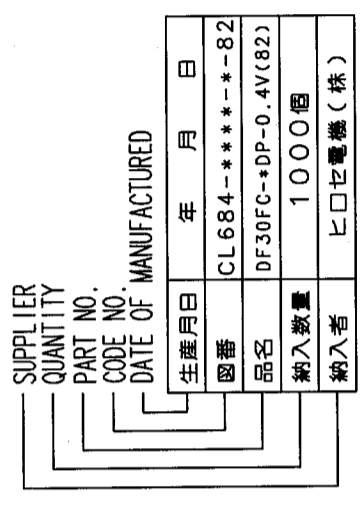
B-B



STYLE AND DIMENSION OF REEL (FREE)

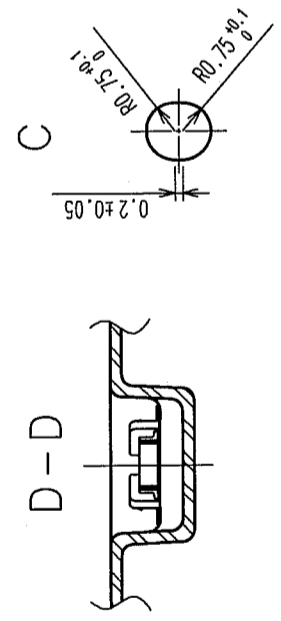


DETAIL OF PART NO. LABEL



PART NO.	CODE NO.	D	E	F	G	H
DF30FC-80DP-0.4V(82)	CL684-1144-9-82	24	-	11.5	24.4	30.4
DF30FC-70DP-0.4V(82)	CL684-1077-3-82	24	-	11.5	24.4	30.4
DF30FC-60DP-0.4V(82)	CL684-1083-6-82	24	-	11.5	24.4	30.4
DF30FC-50DP-0.4V(82)	CL684-1143-6-82	24	-	11.5	24.4	30.4
DF30FC-40DP-0.4V(82)	CL684-1079-9-82	16	-	7.5	16.4	22.4
DF30FC-34DP-0.4V(82)	CL684-1142-3-82	16	-	7.5	16.4	22.4
DF30FC-30DP-0.4V(82)	CL684-1141-0-82	16	-	7.5	16.4	22.4
DF30FC-24DP-0.4V(82)	CL684-1140-8-82	16	-	7.5	16.4	22.4
DF30FC-22DP-0.4V(82)	CL684-1139-9-82	16	-	7.5	16.4	22.4
DF30FC-20DP-0.4V(82)	CL684-1138-6-82	16	-	7.5	16.4	22.4

CODE NO. (OLD)	
DRAWN	T. NISHI
DESIGNED	K. Michikawa
CHECKED	K. Shoda
APPROVED	J. Ota
RELEASED	



TO	

DRAWING NO.	EDC3-303555-05	PART NO.	DF30FC-*DP-0.4V(82)
SCALE	5 : 1	CODE NO.	CL684-***-**-82
UNITS	mm		



HIROSE ELECTRIC CO., LTD