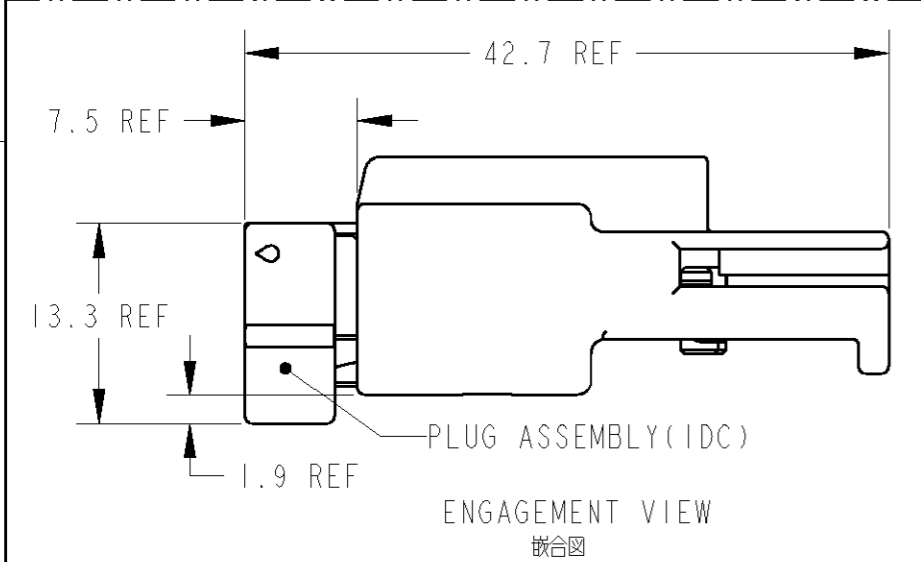
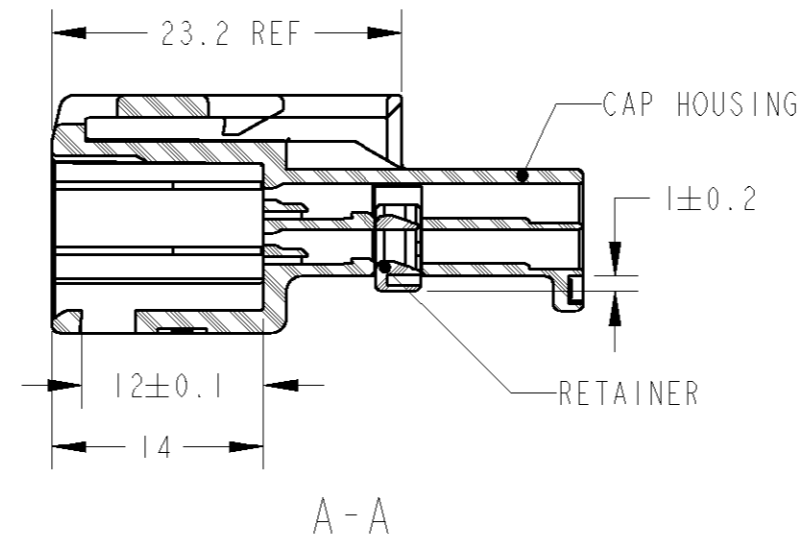
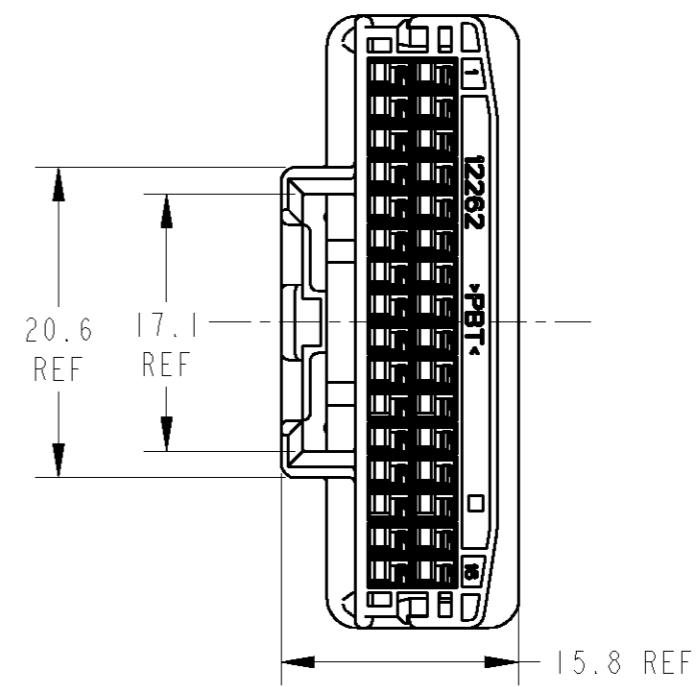
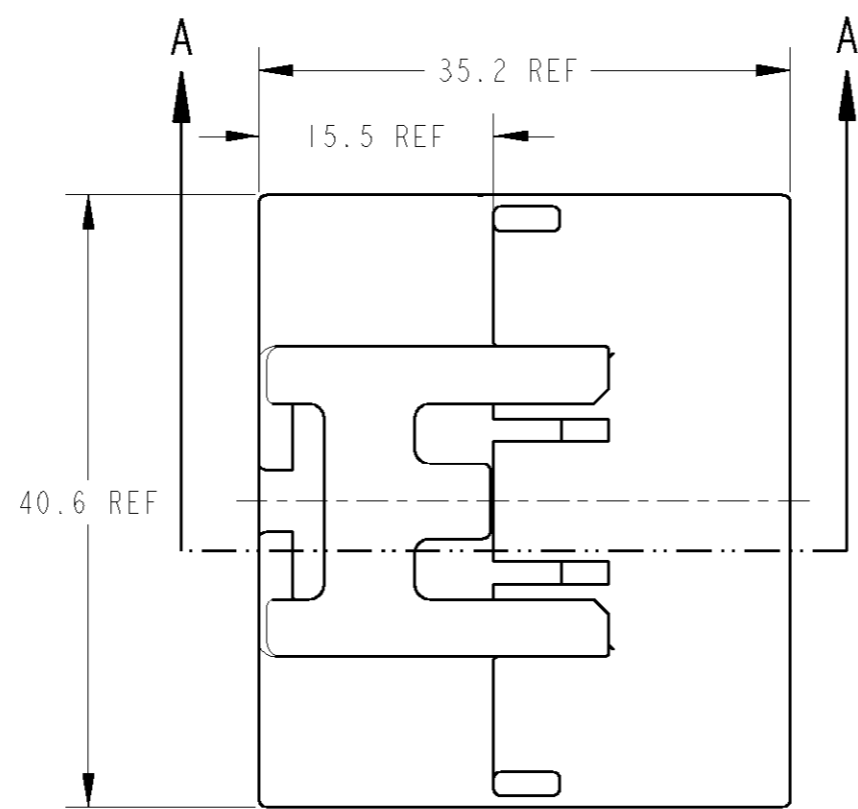
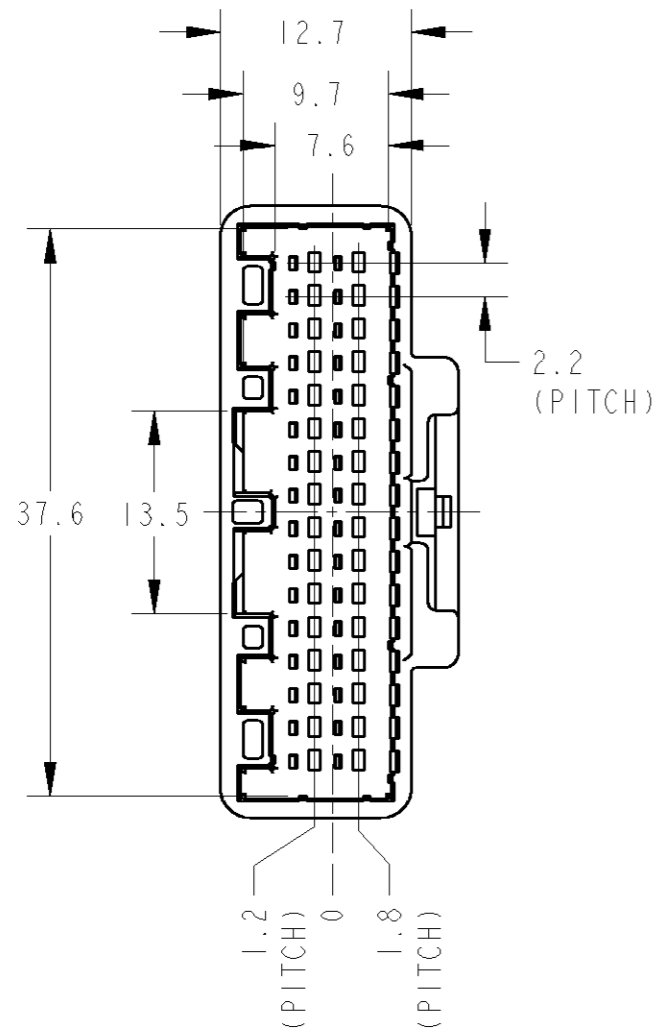


THIS DRAWING IS UNPUBLISHED. RELEASED FOR PUBLICATION  
 © COPYRIGHT 20 BY TYCO ELECTRONICS CORPORATION. ALL RIGHTS RESERVED.

LOC	DIST	REVISIONS						
J		P	LTR	DESCRIPTION	ECN	DATE	DWN	APVD
			0	RELEASED	FJ00-2067-01	16OCT01	SA	NS



1. キャップハウジングにダブルロックプレートを仮係止して出荷される。
2. 適応端子型番; 1376109, 1473818, 1565406
3. 取扱説明書; 411-5996
4. 嵌合相手型番; 1473805 & 1473806 (IDC) 1318747

1. PLATE SHOULD BE SET TO THE PRE-ASSEMBLY POSITION WITHIN THE CAP HOUSING WHEN SHIPPED TO THE CUSTOMER
2. APPLIED TERMINAL; 1376109, 1473818, 1565406
3. INSTRUCTION SHEET No; 411-5996
4. PART NUMBER OF PLUG HOUSING TO BE MATED; 1473805 & 1473806 (IDC), 1318747

PEPER BOX ダンボール	PLASTIC BAG ビニール袋	NATURAL	1473799-1
OUTER 外装	INNER 内装	COLOR	PART NUMBER
PACKING STYLE 梱包形態			

DIMENSIONS: 単位: 毫 mm		TOLERANCES UNLESS OTHERWISE SPECIFIED: 一般公差: ±0.3		DWN S. AMEMIYA 16OCT01	AMP Tyco Electronics AMP K.K. Kawasaki, Japan
MATERIAL 材料 PBT		FINISH 仕上 SEE TABLE		CHK N. SAI 16OCT01	
APVD N. SAI 16OCT01		PRODUCT SPEC 製品規格 108-5660		APVD N. SAI 16OCT01	
APPLICATION SPEC 取付適用規格 114-5276, 114-5291		WEIGHT 8.4g		NAME 名称 32POSITION CAP ASSEMBLY 025 IDC CONNECTOR	
CUSTOMER DRAWING		SCALE 尺度 2:1		SIZE A3 00779	

SIZE A3	CAGE CODE 00779	DRAWING NO C-1473799	RESTRICTED TO
SHEET 1		OF 1	REV 0