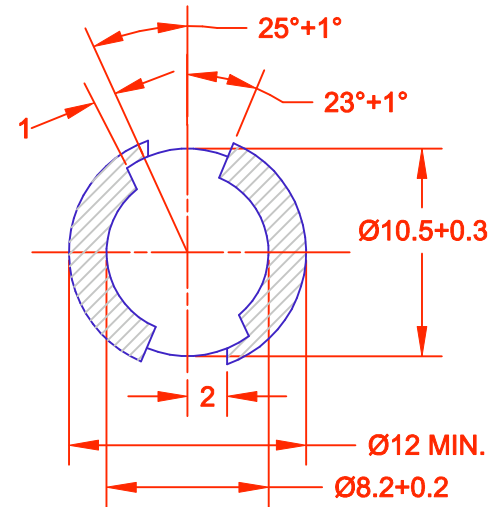
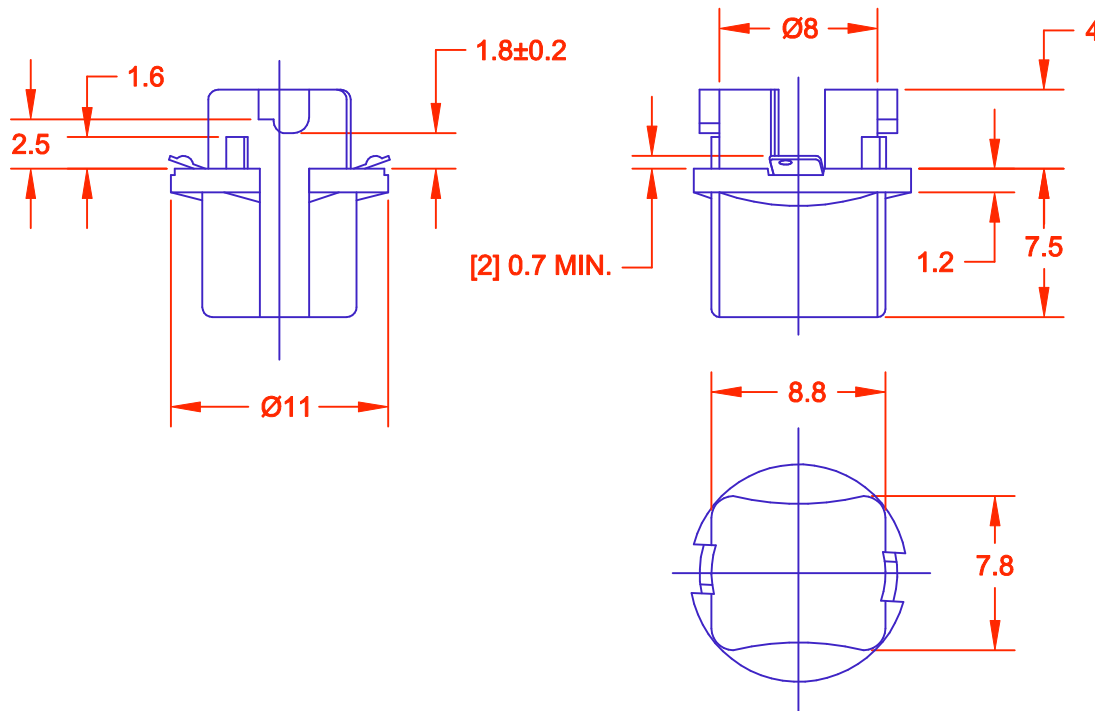
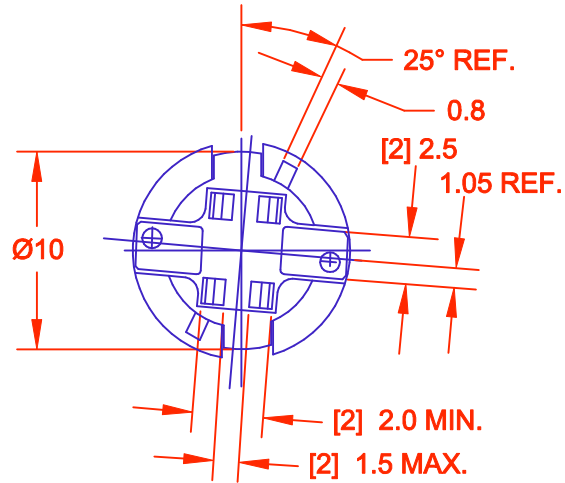


| REV. | DESCRIPTION/ECO NO.                                      | DATE    |
|------|--|---------|
|      | RELEASED AS CAD DRAW. AND<br>NEW PART-CANCEL 2929 REV. 1 | 12/8/00 |
|      |  |         |
|      |  |         |
|      |  |         |
|      |  |         |



BASE COLOR: BLACK

|  |  |                            |  |                                     |  |  |
|--|--|----------------------------|--|-------------------------------------|--|--|
| <p>THIRD ANGLE PROJECTION</p>                                | <p>METRIC</p> <p>DIMENSIONS ARE IN MILLIMETERS</p> <p>TOLERANCE UNLESS OTHERWISE SPECIFIED</p> <p>1 PL +/- 0.2</p> <p>2 PL +/- 0.20</p> <p>ANGLE +/- 0</p> |                            | <p><b>JKL</b> COMPONENTS CORPORATION</p>             |                                     |  |  |
|  |  |                            | <p>TITLE</p> <p><b>T-1 3/4 WEDGE BASE SOCKET</b></p> |                                     |  |  |
| <p>DRAWN BY</p> <p>L. WENGSTROM</p>                          | <p>APPVD BY</p> <p>JK</p>  | <p>DATE</p> <p>12/9/00</p> | <p>SIZE</p> <p><b>A</b></p>                          | <p>FSCM NO.</p> <p><b>55335</b></p> | <p>DRAWING NO.</p> <p><b>SOCKET 2929</b></p> |  |
| <p>- CAD DRAWING -</p> <p>MANUAL REVISIONS NOT PERMITTED</p> |  |                            | <p>SCALE</p> <p><b>NONE</b></p>                      | <p>RELEASED DATE</p> <p>12/9/00</p> | <p>REVISION DATE</p> <p></p>                 |  |
|  |  |                            |  | <p>REV. NO.</p> <p></p>             | <p>SHEET</p> <p>1 OF 1</p>                   |  |