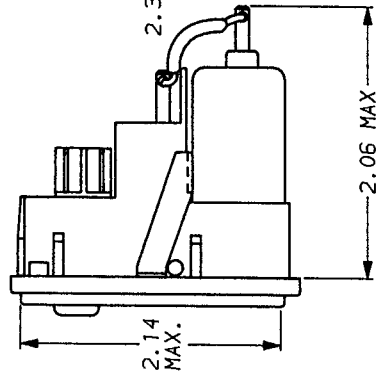
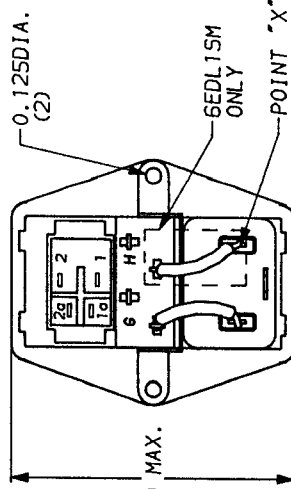
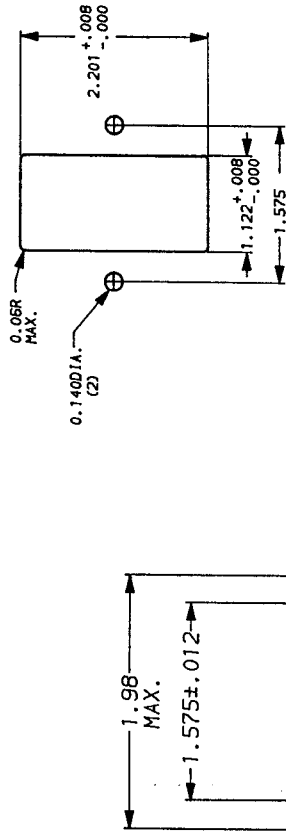
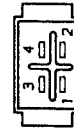


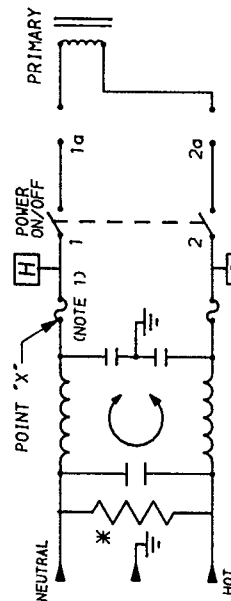
RECOMMENDED PANEL CUTOUT
(NOT TO SCALE)



NOTE: ALL BACKPLATE TERMINALS ARE .110 FASTONS EXCEPT SWITCH TERMINALS WHICH ARE .187 FASTONS.



ALTERNATE SWITCH



- NOTE:
- 1.) PROVISION FOR DUAL EUROPEAN STYLE FUSING.
 - 2.) 6EDL15 JUMPER FROM POINT X TO 1 AND FROM G TO 2. 6EDL15CM JUMPER FROM H TO 1 AND FROM G TO 2.

50Ω - 50n (MINIMUM) INSERTION LOSS		FREQUENCY		INSERTION LOSS	
MHZ	dB	10	20	30	40
COMMON	dB	1.0	1.5	2.0	2.5
DIFF.	dB	0.5	0.75	1.0	1.25

This document is proprietary to CORCOM INC. and is not to be reproduced nor used for manufacturing purposes except on CORCOM's order or prior written consent.

APPROVED BY: *C. Westoby* 4-30-72 DATE: _____ REV: **5**

SAFETY ORGANIZATION(S).

THIS FILTER HAS BEEN FORMALLY RECOGNIZED, CERTIFIED OR APPROVED BY THE LISTED AGENCY. THEREFORE, ALL TEST/REQUIREMENTS SPECIFIED IN THE LATEST REVISION OF THE FOLLOWING AGENCY STANDARDS HAVE BEEN MET.

UL RECOGNIZED
CSA CERTIFIED
VDE APPROVED
SEMKO APPROVED
SEV APPROVED

UL 1283
CSA 22.2, NO.0,0,4,8
VDE 565-3, 625
SEN 432901
SEV 1055/TP1977/5.1.1

OPERATING SPECIFICATIONS.

LINE VOLTAGE/CURRENT:
6 AMP., 120/250 VAC
5 AMP./40°C, 250 VAC
50-60HZ

LINE FREQUENCY,

MAX. LEAKAGE CURRENT, EACH
LINE TO GROUND
LINE TO GROUND
OPERATING AMBIENT TEMP. RANGE:
-10°C TO +40°C @ RATED CURRENT, I_r

IN AN AMBIENT, T_a, HIGHER THAN 40°C, THE MAXIMUM OPERATING CURRENT, I_o, IS AS FOLLOWS:

$$I_o = I_r \sqrt{\frac{85 - T_a}{45}}$$

RELIABILITY SPECIFICATIONS.

STORAGE TEMPERATURE:
-25°C TO +85°C
HUMIDITY:
21 DAYS @ 40°C 95% RH
CURRENT OVERLOAD TEST:
5 TIMES RATED CURRENT FOR 8 SECONDS

TEST SPECIFICATIONS.

INDUCTANCE:
CAPACITANCE: (MEASURED @ 1 KHZ, 0.25 VAC MAX., 25°C ±1°C)
LINE TO GROUND:
LINE TO LINE:
DISCHARGE RESISTOR:
LINE/GROUND AND LINE/LINE
INSULATION RESISTANCE
(M/Ω DISCHARGE RESISTOR)

RECOMMENDED RECEIVING INSPECTION HIPOT.

2250 VDC FOR 1 MINUTE
1450 VDC FOR 1 MINUTE
LINE TO GROUND:
LINE TO LINE.

FILTER APPROVAL:

THE BEST WAY TO SELECT AND QUALIFY A FILTER IS FOR YOUR ENGINEERING TO TEST THE UNIT IN YOUR EQUIPMENT.

TOLERANCE EXCEPT AS NOTED

DECIMAL: .XXX .XX .X ANGLES
ENGLISH: ±.025 ±.1°
METRIC: ±

MATERIAL: AS SUPPLIED

FINISH:



POWER LINE FILTER

SCALE	DATE	DRG. NO.	REV.
NTS	3-4-87	6EDL15 & 6EDL15H	5
DRW. BY	ORIGINATOR		
LJD	CFW		

*RESISTOR ADDED TO PRODUCT BUILT AFTER 3-30-92 (9212).