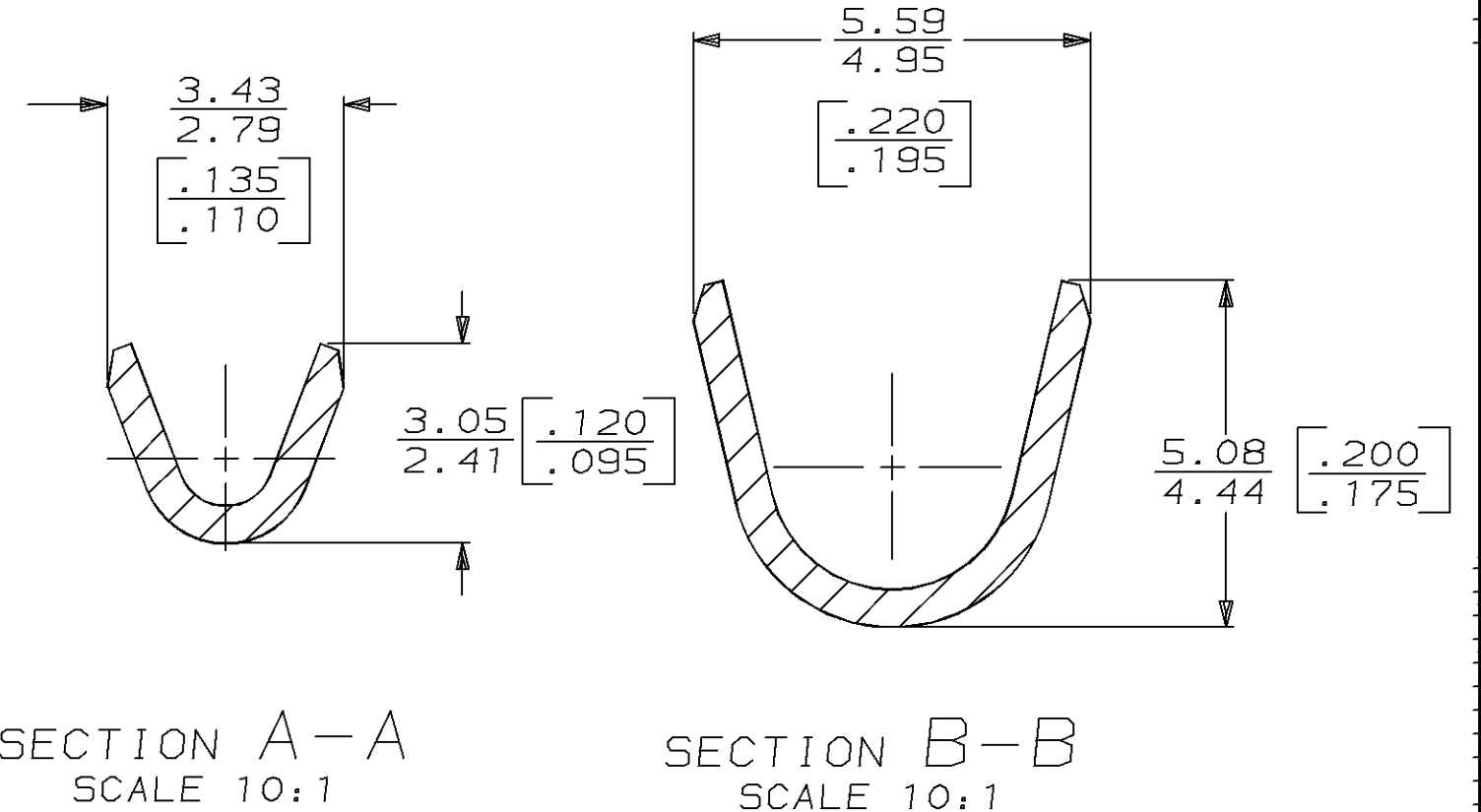
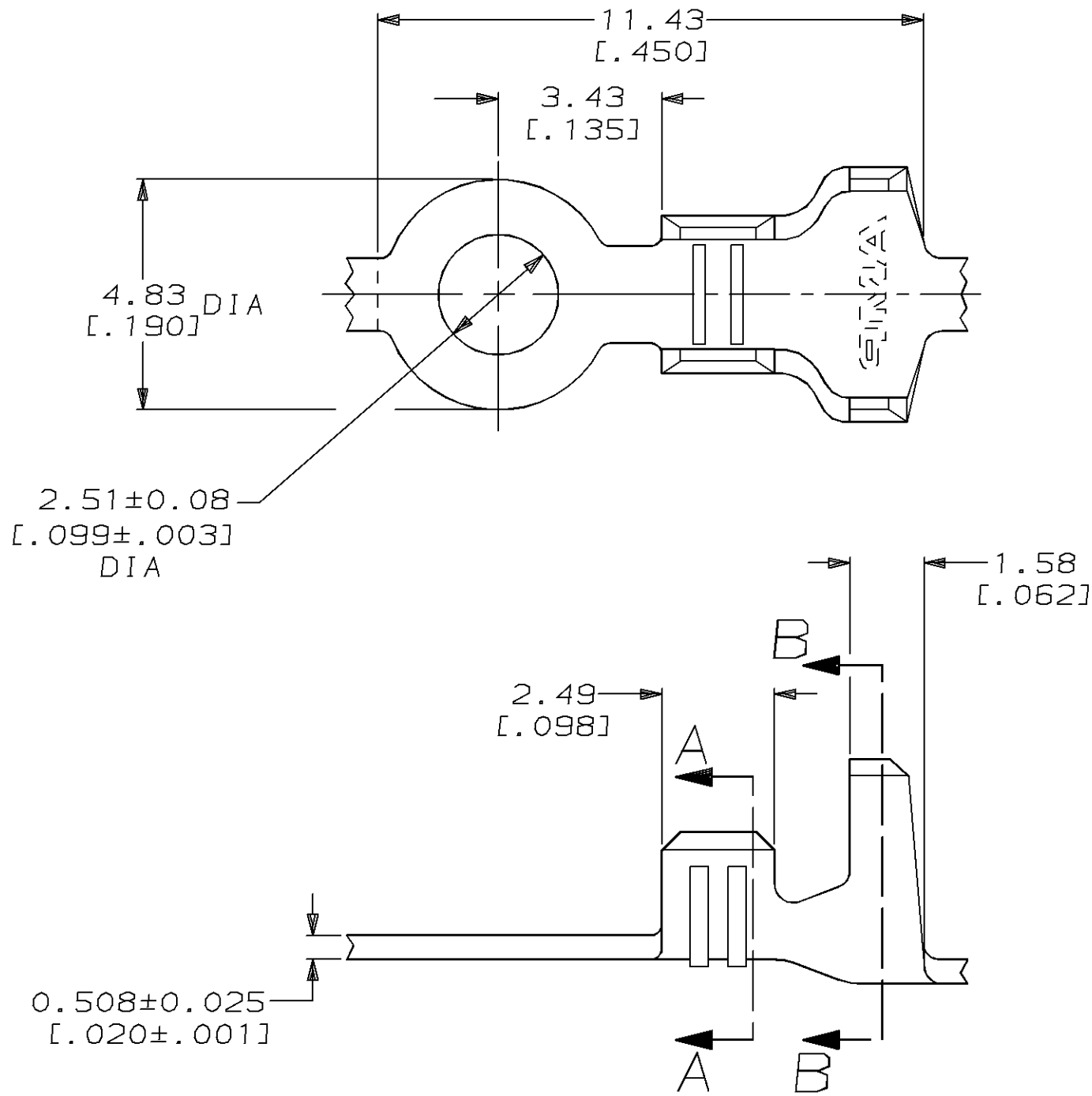


THIS DRAWING IS UNPUBLISHED. RELEASED FOR PUBLICATION, 19
 © COPYRIGHT 19 BY AMP INCORPORATED. ALL INTERNATIONAL RIGHTS RESERVED.

LOC	DIST	P	F	REVISIONS				
AF	50			ZONE	LTR	DESCRIPTION	DATE	APPD
					C	REDRAWN PER 0710-0004-96	23/JAN/96	PF/GY

1 CONTINUOUS STRIP ON REEL.



THIS DRAWING IS A CONTROLLED DOCUMENT FOR AMP INCORPORATED. IT IS SUBJECT TO CHANGE AND THE CONTROLLING ENGINEERING ORGANIZATION SHOULD BE CONTACTED FOR THE LATEST REVISION.

	2.79-3.81 [.110-.150] DIA	[22-20] AWG	60786-1	
	INSULATION RANGE	WIRE RANGE	PART NO	
DO NOT SCALE PRINT. UNLESS SPECIFIED DIMENSIONS IN mm [INCHES] TOLERANCES ON: 2 PLC DEC ± 0.25 [.010] 3 PLC DEC ± - ANGLES ± -	DR 23/JAN/95 PHILLIP M FORTNEY	AMP AMP Incorporated Harrisburg, PA 17105-3608		
	CHK 23/JAN/95 MICHAEL S FEHER			
	APPD 23/JAN/95 GARY YETTER	NAME RING		
	APPD 23/JAN/95 MARK BARNABA			
MATERIAL 082 BRASS	PRODUCT SPEC -	SIZE B	CAGE CODE 00779	DRAWING NO C-60786
FINISH -	APPLICATION SPEC -	WEIGHT -	SCALE 8:1	SHEET 1 OF 1