

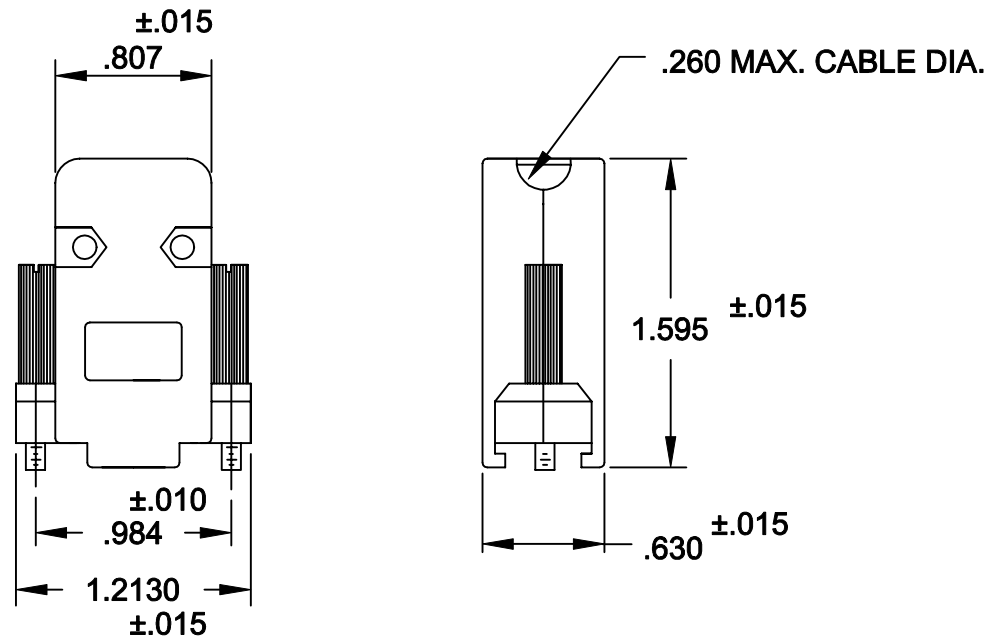
DESCRIPTION: 993 SERIES 45 DEGREE ENTRY D-SUB BACKSHELL

**BACKSHELL KIT INCLUDES:**

- (2) BACKSHELL HALVES
- (2) HOUSING SCREWS
- (2) HOUSING NUTS
- (2) 4-40 THUMBSCREWS
- (2) STRAIN RELIEF CLAMPS
- (2) STRAIN RELIEF SCREWS

993-XXX-XXX-XX1

Series \_\_\_\_\_  
 Position \_\_\_\_\_  
 009 \_\_\_\_\_  
 Material \_\_\_\_\_  
 010 = Plastic  
 020 = Metalized Plastic  
 Color: \_\_\_\_\_  
 03 = Grey  
 12 = Chrome  
 Put-Up: \_\_\_\_\_  
 1 = Kit



**METALIZED PLASTIC:**  
 MATERIAL: ABS HIGH TEMPERATURE PLASTIC 94HB

**METALIZED PLATING:**  
 CHROME

**PLASTIC:**  
 MATERIAL: ABS HIGH TEMPERATURE PLASTIC 94HB



THESE DRAWINGS AND SPECIFICATIONS ARE THE PROPERTY OF NorComp AND SHALL NOT BE REPRODUCED, COPIED OR USED AS THE BASIS FOR THE MANUFACTURE OR SALE OF APPARATUS WITHOUT WRITTEN PERMISSION.

DRAWN: <b>PAM JENKINS</b>	DATE: <b>9-15-99</b>
CHECKED:	DATE:
SCALE	SHEET OF REV <b>3</b>
DWG NO. <b>993-009-XXX-XX1</b>	

**NorComp**