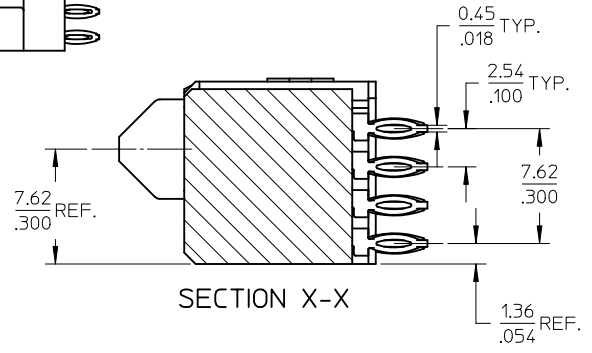
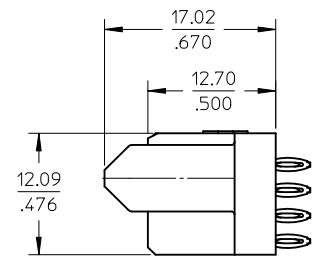
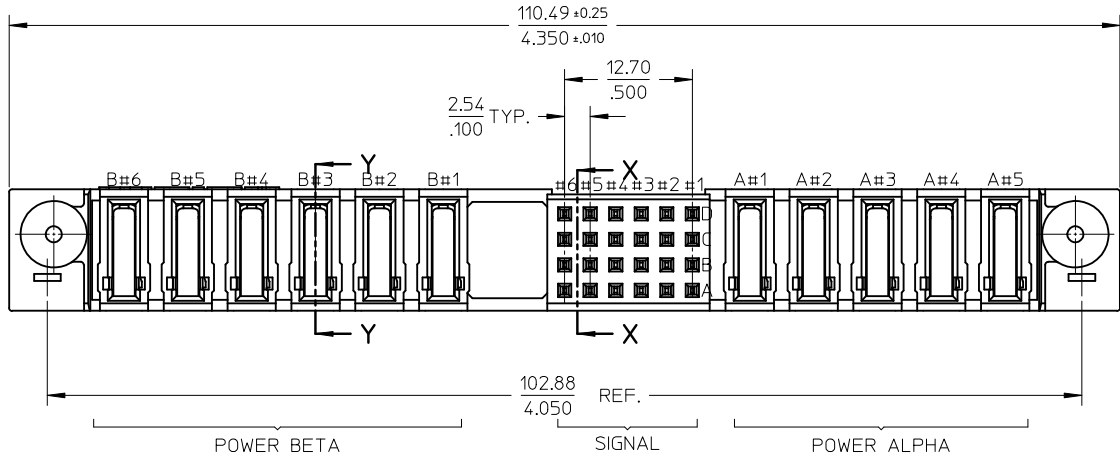
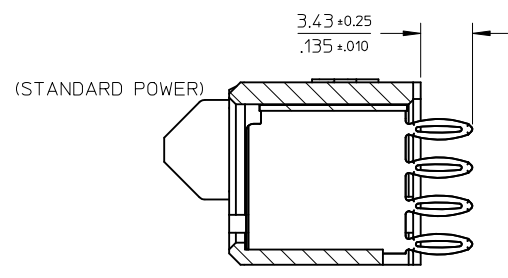


ISOMETRIC VIEW

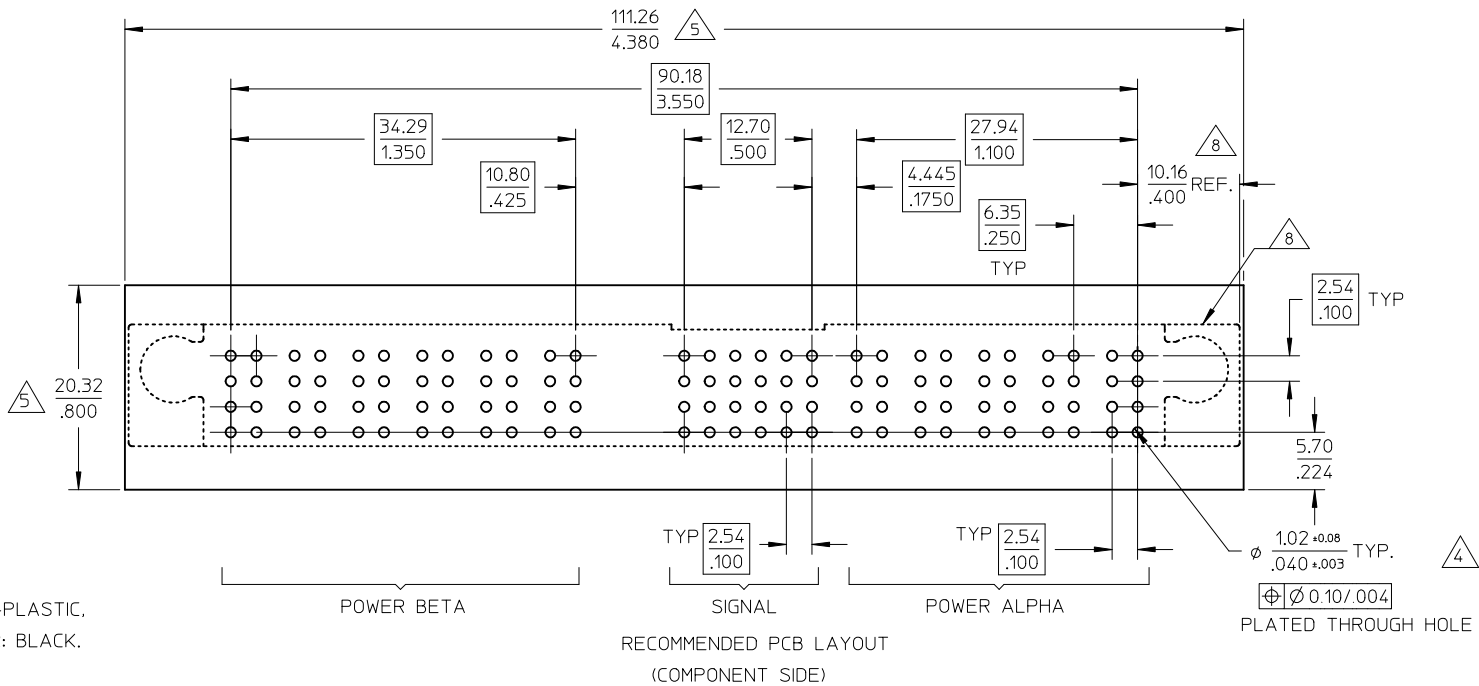


SECTION X-X



SECTION Y-Y

OBS TIN/LEAD P/N EC NO: S2011-0260 DRWN:SKANG 2010/10/05 CH'KD:ATSEE 2010/11/29 APPR:MLONG 2010/12/01	QUALITY SYMBOLS $F_A=0$ $F_B=0$ $F_C=0$	GENERAL TOLERANCES (UNLESS SPECIFIED)		DIMENSION STYLE MM/IN		SCALE NTS	DESIGN UNITS METRIC	THIRD ANGLE PROJECTION		
			mm	INCH	DRAWN BY KMG0H	DATE 2002/10/04	TITLE	MPS CONNECTOR, RECT P(B)-S-P(A) CONFIG, VERTICAL PRESS-FIT		
		4 PLACES	± ---	± ---	CHECKED BY PTLIM	DATE 2002/11/25				
		3 PLACES	± ---	± ---	APPROVED BY SKTOH	DATE 2002/11/26		MOLEX INCORPORATED DOCUMENT NO. SD-87665-011 SHEET NO. 1 OF 2		
2 PLACES	± 0.13	± ---	MATERIAL NO. 87665-1001 DRAFT WHERE APPLICABLE MUST REMAIN WITHIN DIMENSIONS							
1 PLACE	± 0.25	± ---	SIZE A3 THIS DRAWING CONTAINS INFORMATION THAT IS PROPRIETARY TO MOLEX INCORPORATED AND SHOULD NOT BE USED WITHOUT WRITTEN PERMISSION							



CONNECTOR - NOTES

1. MATERIALS :

- HOUSING - HIGH TEMPERATURE THERMO-PLASTIC, GLASS FILLED, UL94-0,COLOR: BLACK.
- POWER PIN - COPPER ALLOY
- BOARD-LOCK - COPPER ALLOY

2. PLATING :

- POWER CONTACTS
- 0.76 MICROMETER MINIMUM GOLD (Au) AT CONTACT AREA AND 2.54 MICROMETER MINIMUM TIN AT SOLDER TAIL AREA OVER 1.27um MIN. NICKEL (Ni) UNDERPLATE.

3. PRODUCT SPECIFICATION: PS-87665-006.

4. PCB NOTE FOR DIAMETER 1.02/.040 PLATED HOLE.

- DRILLED HOLE SIZE IS 1.151/.0453
- PLATE WITH 0.007/.0003 MINIMUM TIN OVER 0.03/.001 TO 0.08/.003 COPPER PLATING TO ACHIEVE 1.02±0.08/.040±.003 HOLE. SEE SHEET 2 FOR RECOMMENDED PCB LAYOUT.

5. COMPONENT STAY AWAY ZONE FROM CONNECTOR.

6. 6P(B)-24S-5P(A) CONFIGURATION IS SHOWN FOR ILLUSTRATION ONLY.

7. MANUFACTURER LOGO,PART NUMBER AND YEAR-WEEK CODE.

8. IMAGINARY LINE & DIMENSION TO POSITION AND PROVIDE CONNECTOR ORIENTATION W.R.T. TO PCB LAYOUT.

9. CONNECTORS ARE PACKED IN TRAY.

OBS TIN/LEAD P/N EC NO: S2011-0260 DRWN:SKANG 2010/10/05 CHKD:ATSEE 2010/11/29 APPR:MLONG 2010/12/01	REV	DESCRIPTION	QUALITY SYMBOLS	GENERAL TOLERANCES (UNLESS SPECIFIED)		DIMENSION STYLE		SCALE	DESIGN UNITS	THIRD ANGLE PROJECTION		
				mm	INCH	MM/IN	NTS	METRIC				
			$\nabla F = 0$	4 PLACES ± --- ± ---	DRAWN BY	DATE	TITLE					
			$\nabla E = 0$	3 PLACES ± --- ± ---	KMGOH	2002/10/04	MPS CONNECTOR, RECT P(B)-S-P(A) CONFIG, VERTICAL PRESS-FIT					
			2 PLACES ± 0.13 ± ---	CHECKED BY	DATE	MOLEX INCORPORATED						
$\nabla F = 0$	1 PLACE ± 0.25 ± ---	PTLIM	2002/11/25									
			ANGULAR ± 3 °	APPROVED BY	DATE	SD-87665-011						
				SKTOH	2002/11/26							
			DRAFT WHERE APPLICABLE MUST REMAIN WITHIN DIMENSIONS	MATERIAL NO.	DOCUMENT NO.		SHEET NO.					
				87665-1001	SD-87665-011		2 OF 2					
				SIZE	THIS DRAWING CONTAINS INFORMATION THAT IS PROPRIETARY TO MOLEX INCORPORATED AND SHOULD NOT BE USED WITHOUT WRITTEN PERMISSION							
				A3								