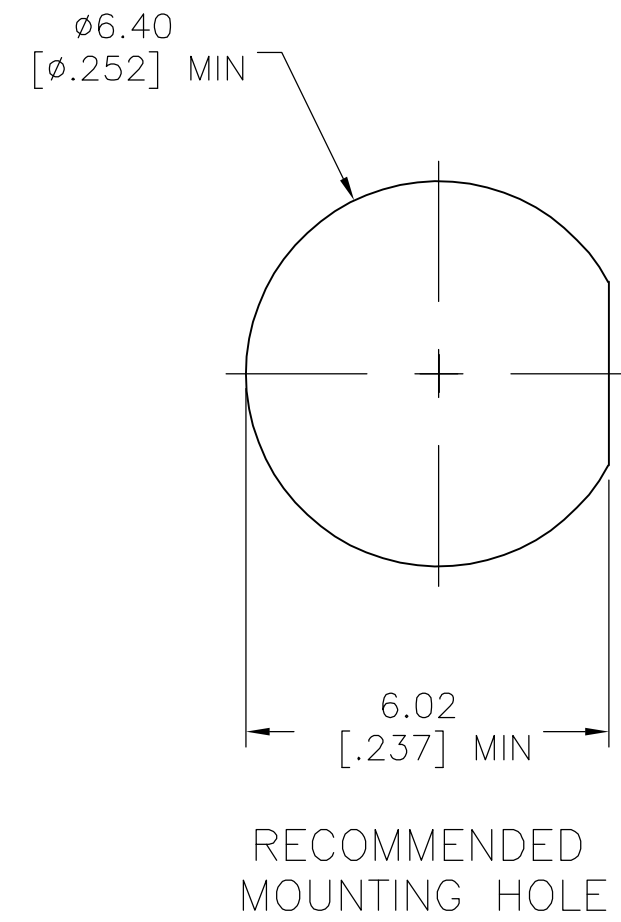
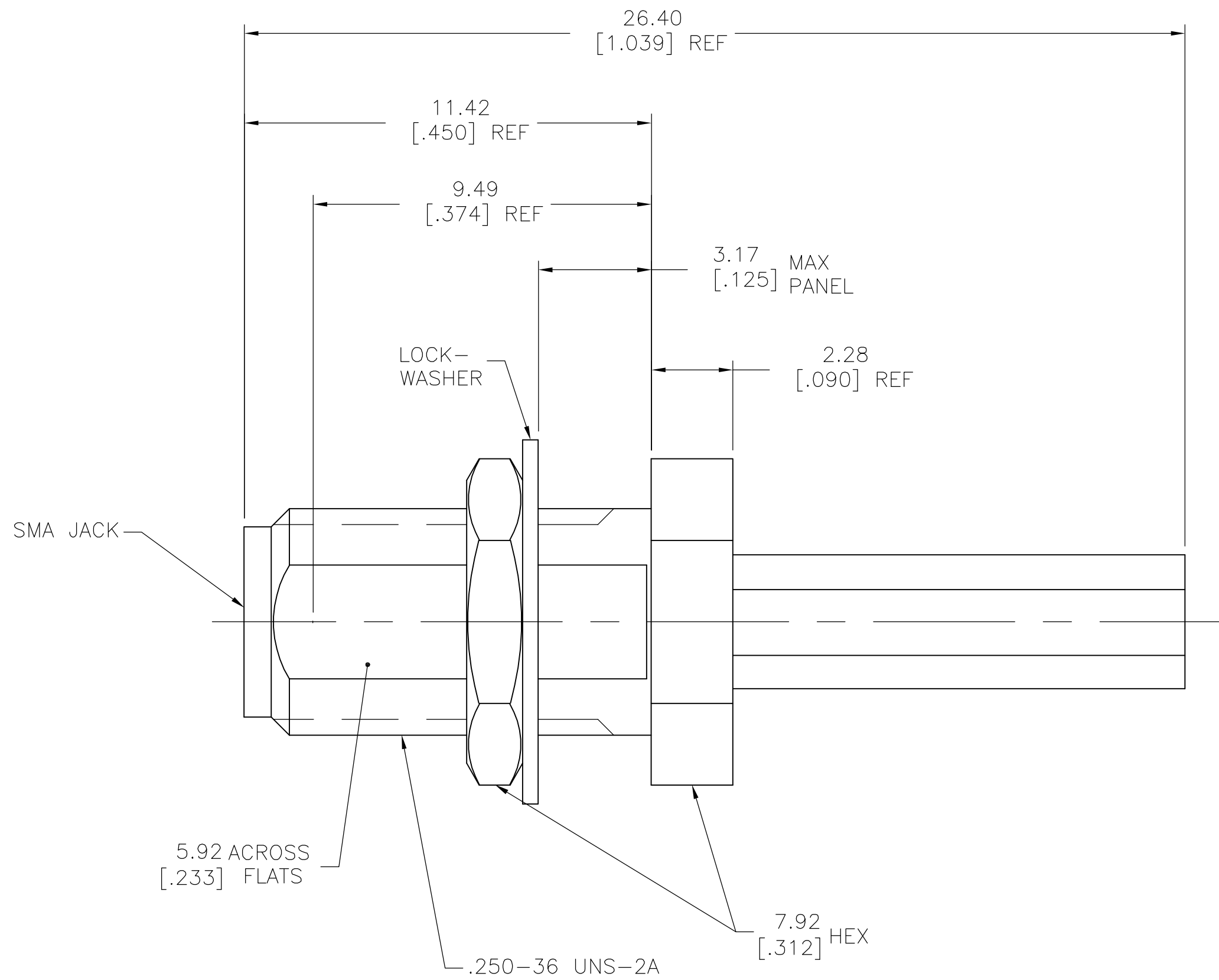


THIS DRAWING IS UNPUBLISHED. RELEASED FOR PUBLICATION  
 © COPYRIGHT BY TYCO ELECTRONICS CORPORATION. ALL RIGHTS RESERVED.

DESIGNED FOR USE WITH  
 RD-174/U & RG-316/U CABLE

REVISIONS				DATE	DWN	APVD
P	LTR	DESCRIPTION	DATE	DWN	APVD	
A		REVISED PER EC 0514-0150-05	10OCT2005	REH	KW	

CABLE ENTRY DIAMETER MINIMUM	
FERRULE	3.18 [.125]
HOUSING	1.67 [.066]
CONTACT	0.58 [.023]



ELECTRICAL	MECHANICAL	ENVIRONMENTAL
Nominal Impedance (Ohms) 50	Interface Dimensions MIL-STD-348A, Fig. 310.2	TEMPERATURE RATING -65°C TO +165°C
Frequency Range (GHz) DC to 6	Recommended Mating Torque 3-5 In-Lbs (0.34-0.57 Nm)	Vibration MIL-STD-202, Method 204, Condition D
Volt Rating (VRMS MAX) @ Sea Level 250	Mating Characteristics: Insertion (MAX Lbs) 3.0 (1.36 Kg)	Shock MIL-STD-202, Method 213, Condition I
VSWR 1.20:1 MAX	Withdrawal (MIN Oz) 1.0 (28.35 g)	Thermal Shock MIL-STD-202, Method 107, Condition B, EXCEPT HIGH TEMP SHALL BE +85°C
Insertion Loss (dB MAX) .06 √f(GHz)	Force to Engage and Disengage (In-Lbs MAX) 2.0 (0.23 Nm)	Moisture Resistance MIL-STD-202, Method 106, except step 7b is omitted. No measurement at high humidity. Insulation resistance shall be at least 200 Megohms within 5 minutes after removal from humidity.
RF Leakage (dB MIN) -90 @ 2 to 3 GHz	Center Contact Captivation: Axial (lbs) 6.0 (2.7 Kg)	
Corona, 70,000 Ft (VRMS MIN) 190	Radial (in-oz) N/A	
Dielectric Withstanding Voltage (VRMS MIN) @ Sea Level 750	Cable Retention: Axial Force (lbs MIN) 25 (11.3 Kg)	
Contact Resistance (Milliohms MAX): Center Contact 3.0, Outer Contact 2.0	Torque (in-oz MIN) N/A	
Cable to Housing 0.5		
RF High Potential @ Sea Level (VRMS MIN @ 5 MHz) 500		
I.R.(Megohms MIN) 5,000		

COMPONENT	MATERIAL	FINISH
HOUSING MOUNTING NUT	BRASS PER ASTM-B-16 HALF HARD OR CZ121 PER BS2874	WHITE BRONZE PLATE
DIELECTRIC	TFE FLUOROCARBON PER ASTM-D-1457	N/A
CENTER CONTACT	BERYLLIUM COPPER PER ASTM-B-196, OR ASTM-B-197 ALLOY C17300, CONDITION H	GOLD PLATE
LOCKWASHER	PHOSPHOR BRONZE PER QQ-B-750, GRADE B2	WHITE BRONZE PLATE
FERRULE	COPPER OR BRASS ALLOY	WHITE BRONZE PLATE

THIS DRAWING IS A CONTROLLED DOCUMENT.		DWN B. MCMASTER 28APR05	 Tyco Electronics Corporation Harrisburg, PA 17105-3608
DIMENSIONS: mm [INCHES]		CHK J. HAVENER 28APR05	
TOLERANCES UNLESS OTHERWISE SPECIFIED:		APVD J. HAVENER 28APR05	
0 PLC ± - 1 PLC ± - 2 PLC ± 0.13 [.005] 3 PLC ± - 4 PLC ± - ANGLES ± 1°		PRODUCT SPEC -	
MATERIAL -		FINISH -	APPLICATION SPEC -
WEIGHT -		SIZE A2	CAGE CODE 00779
CUSTOMER DRAWING		DRAWING NO C=6086274	RESTRICTED TO -
SCALE 8:1		SHEET 1 of 1	REV A

6086274-1  
 PART NUMBER