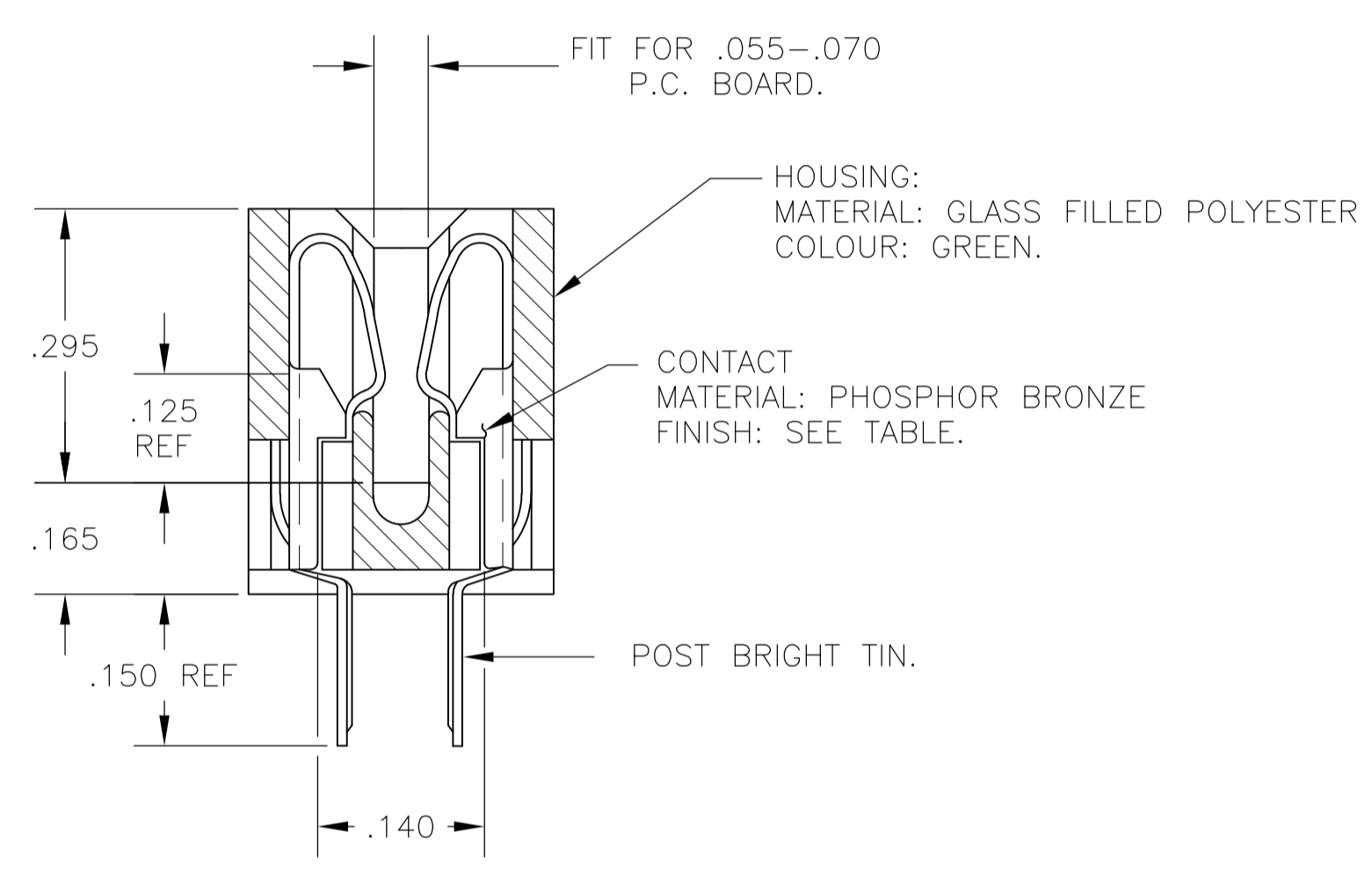
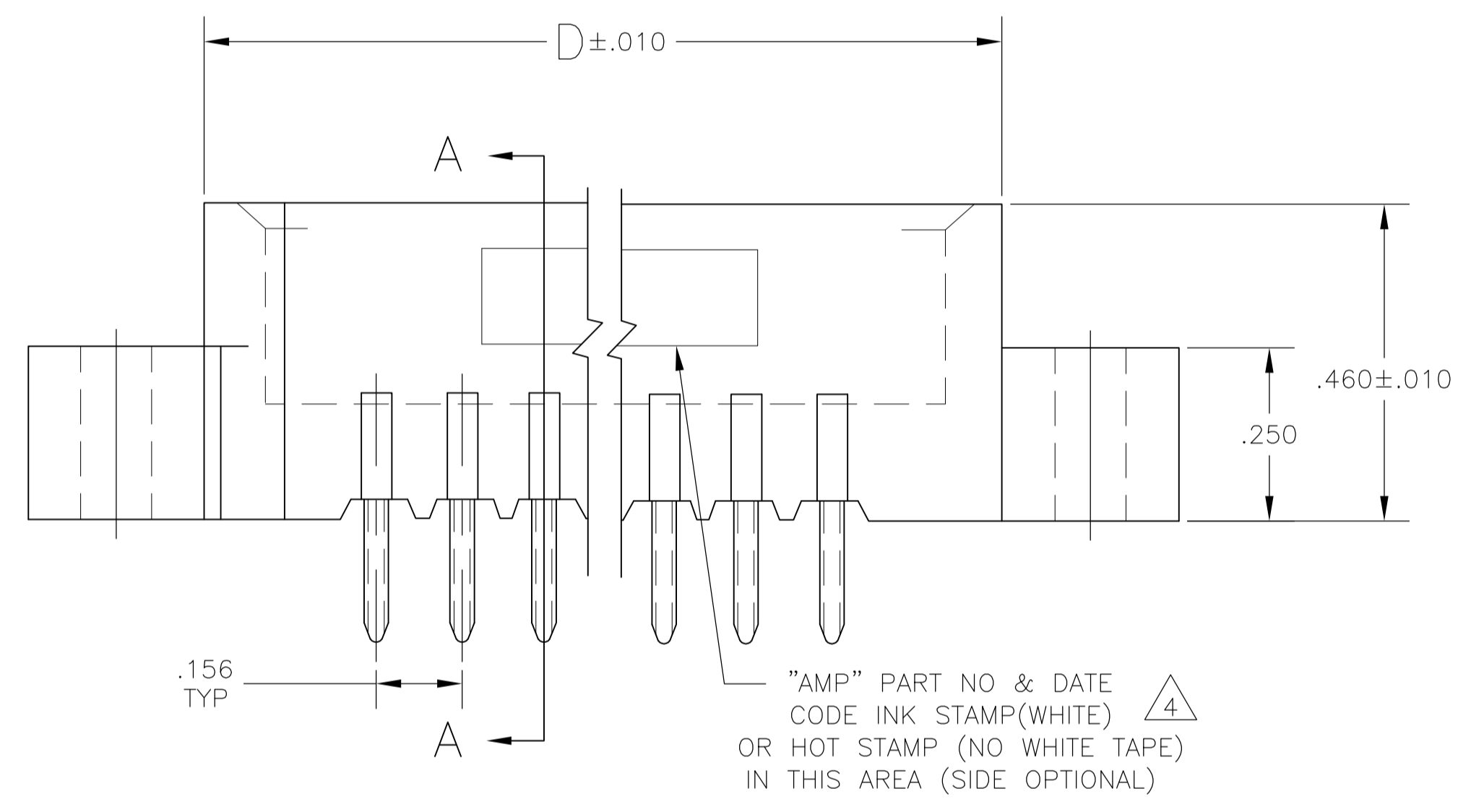
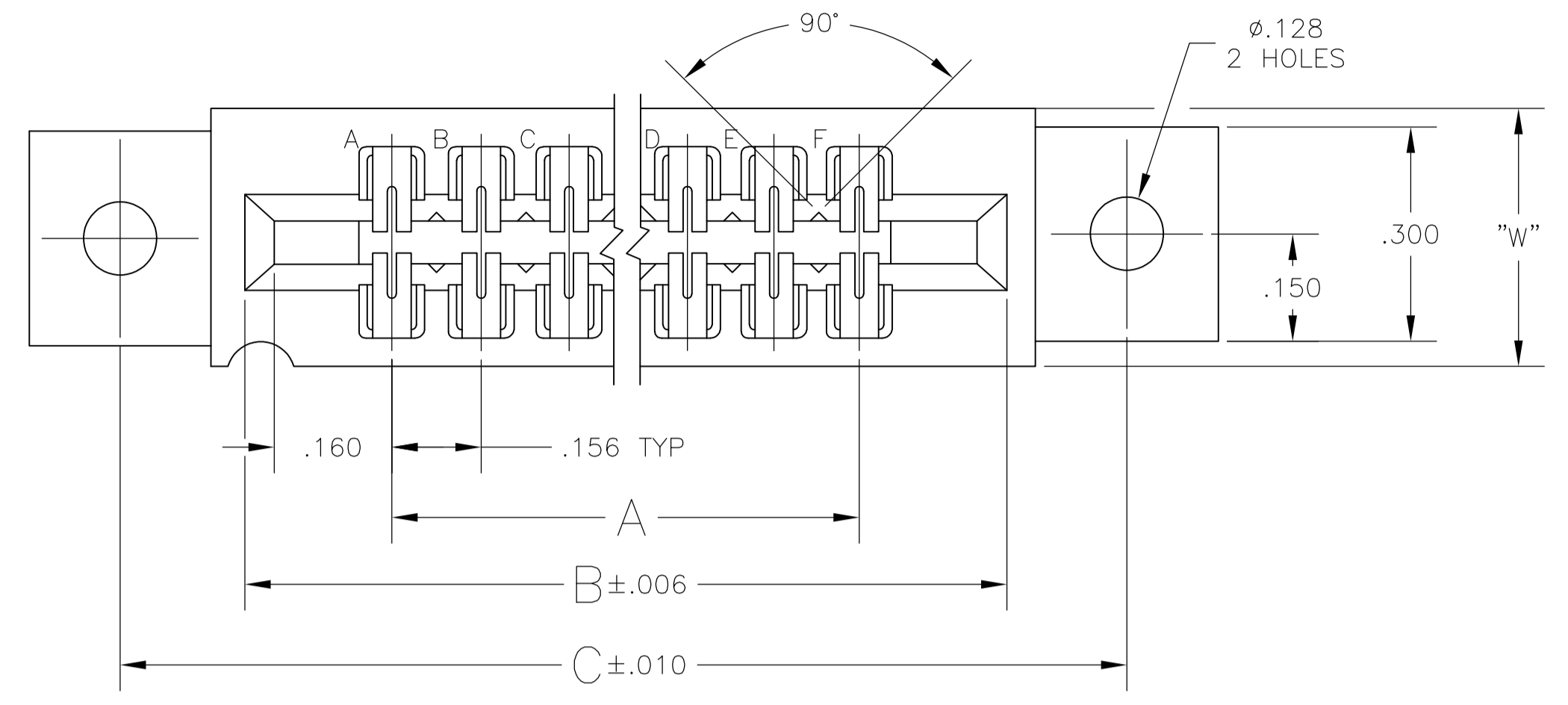
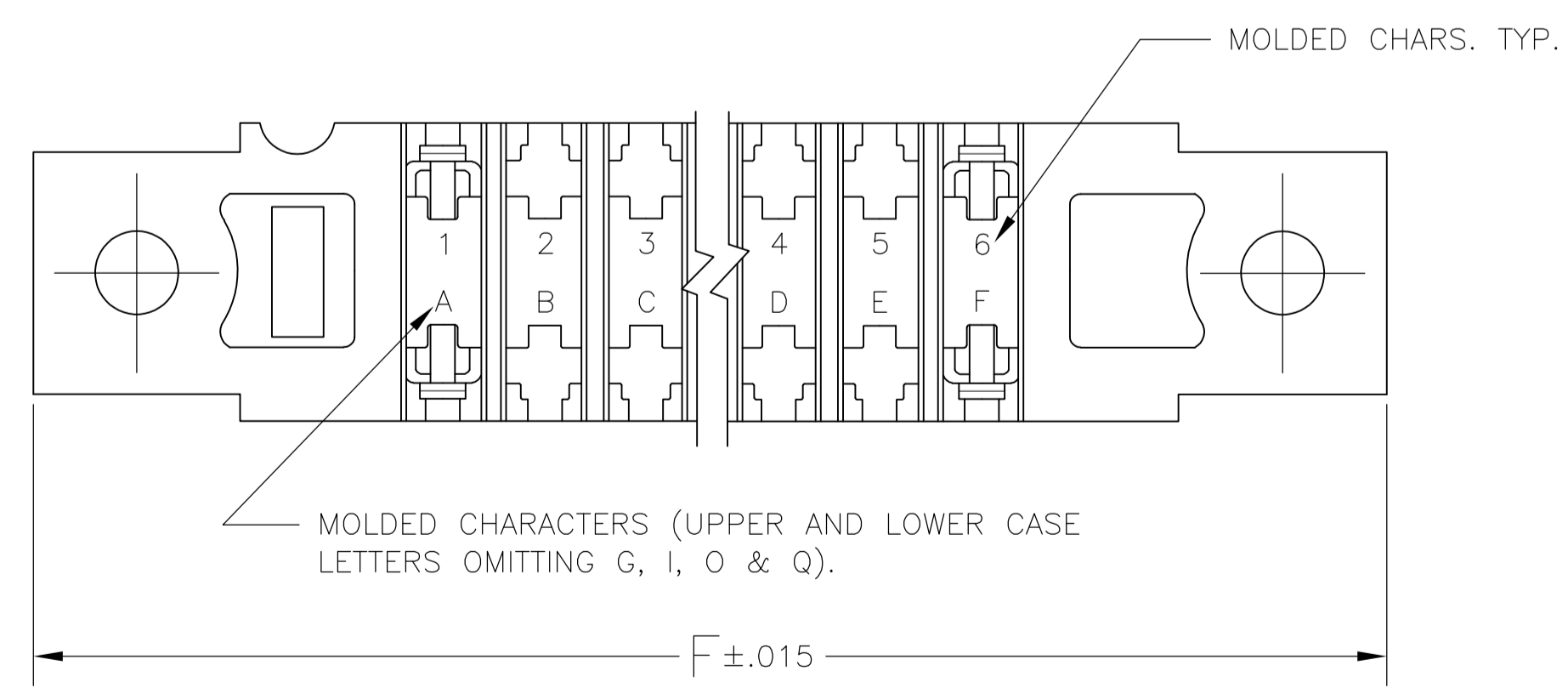


LOC		DIST		REVISIONS			
P	LTR	DESCRIPTION	DATE	DWN	APVD		
P		ECO-07-012860	23JUL2007	RB	MM		
P1		REV PER ECO-09-021510	10SEP09	KK	AEG		



SECTION A-A



- 1 .000015 MIN GOLD OVER .000050 MIN. NICKEL IN CONTACT AREA.
- 2 .000030 MIN GOLD OVER .000050 MIN. NICKEL IN CONTACT AREA.
- 3 NO STAMPING ON 1-530657-4 AND 3-530657-4.
- 4 ALL PARTS ASSEMBLED IN MEXICO MUST BE STAMPED "ASSY IN MEXICO" THE WORD "MEXICO" CAN BE SUBSTITUTED ONLY WHERE PART SIZE PROHIBITS STAMPING "ASSY IN MEXICO", INK STAMP COLOR WHITE OR HOT STAMP (NO WHITE TAPE) 115-9009, APPROX WHERE SHOWN, SIDE OPTIONAL.
- 5 MATTE TIN PLATED CONTACT TAILS.
- 6 OBSOLETE PARTS: OBSOLETE CIS STREAMLINING PER D.RENAUD/D.SINISI

6	OBSOLETE	-	43	6.552	6.872	7.307	7.012	.437	7.557	-8-530657-3
6	OBSOLETE	-	28	4.212	4.532	4.967	4.672	.370	5.217	-8-530657-2
6	OBSOLETE	-	15	2.184	2.504	2.939	2.644	.370	3.189	-7-530657-4
3		1-530657-4	22	3.376	3.596	4.031	3.736	.370	4.281	3-530657-4
		1-530657-3	43	6.552	6.872	7.307	7.012	.437	7.557	6 3-530657-3
		1-530657-2	28	4.212	4.532	4.967	4.672	.370	5.217	6 3-530657-2
		1-530657-1	44	6.708	7.028	7.463	7.168	.437	7.713	3-530657-1
		1-530657-0	36	5.460	5.780	6.215	5.920	.437	6.465	3-530657-0
		530657-9	30	4.524	4.844	5.279	4.984	.437	5.529	2-530657-9
		530657-8	25	3.744	4.064	4.499	4.204	.370	4.749	2-530657-8
		530657-7	24	3.588	3.908	4.343	4.048	.370	4.593	2-530657-7
		530657-6	22	3.276	3.596	4.031	3.736	.370	4.281	2-530657-6
		530657-5	18	2.652	2.972	3.407	3.112	.370	3.657	2-530657-5
		530657-4	15	2.184	2.504	2.939	2.644	.370	3.189	2-530657-4
		530657-3	12	1.716	2.036	2.471	2.176	.370	2.721	2-530657-3
		530657-2	10	1.404	1.724	2.159	1.864	.370	2.409	2-530657-2
		530657-1	6	.780	1.100	1.535	1.240	.370	1.785	2-530657-1

OBSOLETE

1 PART NO	NO. OF. POSITION	A	B	C	D	W	F	2 PART NO
-----------	------------------	---	---	---	---	---	---	-----------

THIS DRAWING IS A CONTROLLED DOCUMENT.

DIMENSIONS: INCHES
 TOLERANCES UNLESS OTHERWISE SPECIFIED:
 0 PLC ± -
 1 PLC ± -
 2 PLC ± -
 3 PLC ± .005
 4 PLC ± -
 ANGLES ± -

MATERIAL: SEE CALL-OUT
 FINISH: SEE CALL-OUT

THIS DRAWING IS A CONTROLLED DOCUMENT.
 19MAR75
 20MAR75
 20MAR75

Tyco Electronics Corporation
 Harrisburg, Pa 17105-3608

NAME: HOUSING ASSY, LOW PROFILE, EDGE CONNECTOR, FLOW SOLDER, FOR .052 DIA. HOLE .156 X .140 CENTERS.

SIZE: A1
 CAGE CODE: 00779
 DRAWING NO: 530657

WEIGHT: -
 CUSTOMER DRAWING

SCALE: 4:1
 SHEET: 1 of 1
 REV: P1