



SOM-LV Mechanical Interface Specification

White Paper 340

Logic // Embedded Product Solutions
Published: February 2007
Last revised: March 2009

This document contains valuable proprietary and confidential information and the attached file contains source code, ideas, and techniques that are owned by Logic Product Development Company (collectively "Logic's Proprietary Information"). Logic's Proprietary Information may not be used by or disclosed to any third party except under written license from Logic Product Development Company.

Logic Product Development Company makes no representation or warranties of any nature or kind regarding Logic's Proprietary Information or any products offered by Logic Product Development Company. Logic's Proprietary Information is disclosed herein pursuant and subject to the terms and conditions of a duly executed license or agreement to purchase or lease equipment. The only warranties made by Logic Product Development Company, if any, with respect to any products described in this document are set forth in such license or agreement. Logic Product Development Company shall have no liability of any kind, express or implied, arising out of the use of the Information in this document, including direct, indirect, special or consequential damages.

Logic Product Development Company may have patents, patent applications, trademarks, copyrights, trade secrets, or other intellectual property rights pertaining to Logic's Proprietary Information and products described in this document (collectively "Logic's Intellectual Property"). Except as expressly provided in any written license or agreement from Logic Product Development Company, this document and the information contained therein does not create any license to Logic's Intellectual Property.

The Information contained herein is subject to change without notice. Revisions may be issued regarding changes and/or additions.

© Copyright 2009, Logic Product Development Company. All Rights Reserved.

Revision History

REV	EDITOR	DESCRIPTION	APPROVAL	DATE
A	JCA	Release	ER	02/12/07
B	JCA	Specified J1 and J2 connectors on drawings; Introduced Type I and Type II distinctions, added Section 2; Added connector height information	JCA	08/23/07
C	JCA	- Throughout: Added SOM-LV Type III information ; - Added Section 1.1 to explain scope of document - Section 2.1: Added note about Max Height; Updated information based upon new mechanical drawings; - Section 3.1: Updated Important Note; - Added Section 3.2 for recommended spacers; - Updated all mechanical drawings: The mounting hole dimension tolerance has been corrected (was ± 0.01 mm, should be ± 0.08 mm)	ER & JCA	09/19/08
D	JCA	- Created section for "Mounting Specifications"; moved "Support Spacers" into this section - Updated footprint dimensioning scheme in drawings	NJK & JMC	03/20/09

1 Introduction

This White Paper serves as an overview for designing a custom baseboard that can accommodate the Logic SOM-LV module form factor.

1.1 Scope of Document

This document should only be considered a broad overview of the SOM-LV form factor specification. Other interface connectors or features may exist that are unique to a particular SOM-LV but fall outside the scope of the form factor specification. When designing a SOM-LV into your product, please reference all the hardware documentation (Hardware Specification, Schematic, Layout, BOM, etc.) for that specific SOM-LV.

2 SOM-LV Types

The SOM-LV form factor is comprised of three subsets based upon the physical size of the module: Type I, Type II, and Type III (Type I being the largest and Type III being the smallest). All three types of the SOM-LV form factor utilize the same expansion connectors and pin-out scheme.

2.1 Comparison of Type I, Type II, and Type III

	SOM-LV Type I	SOM-LV Type II	SOM-LV Type III
Width	59.0 mm	51.1 mm	31.2 mm
Length	76.2 mm	76.2 mm	76.2 mm
Max Height*	8.5 mm	8.5 mm	8.5 mm
Connectors	BTH-120-01-L-D-A	BTH-120-01-L-D-A	BTH-120-01-L-D-A

*Max Height represents a height measurement that the SOM-LV form factor specification attempts to stay below. Individual SOMs may differ as components can change PCB location during board spins.

3 Mechanical Specifications

3.1 Interface Connectors

The SOM-LV module connects to a Printed Circuit Board (PCB) through two 240-pin board-to-board (BTB) connectors (J1 and J2). The connector height is 4.064 mm and the height when mated with the baseboard connector is 5.001 mm; both measurements are according to the manufacturer's device specifications.

Important Notes:

- Some components on the SOM-LV may take advantage of the full mating height and their locations are subject to change as the board is revised. Within the layout area of the SOM-LV, the maximum component height on the baseboard is 1.0 mm; ideally, no components should be placed on the baseboard in the area beneath the SOM-LV. However, if the baseboard design requires components to be placed beneath the module, we recommend you contact Logic for assistance.

Ref Designator	Manufacturer	SOM-LV Connector PN	Mating Connector PN
J1, J2	Samtec	BTH-120-01-L-D-A	BTH-120-01-L-D-A

3.2 Mounting Specifications

3.2.1 Support Spacers

Attach spacers between the SOM-LV and application board to provide additional support when securing the SOM-LV to the baseboard.

Manufacturer	PN	Description	Sales Info.
Bivar	9908-5MM	Nylon screw (#4) spacers, 5 mm	http://www.bivar.com/sales_network.asp

3.2.2 Screw Size

Securing the SOM-LV to the baseboard requires screws of size 3 or smaller.

3.2.3 Washers

Only use flat washers with diameters of 3.8 mm or smaller when securing the SOM-LV to the baseboard. Any other washer type or size may result in cut traces or component and PCB damage leaving the SOM-LV inoperable.

IMPORTANT NOTE: Do not apply an excessive amount of torque when securing the SOM-LV to the baseboard. Using more torque than necessary may damage the SOM-LV.

3.3 Mechanical Drawings

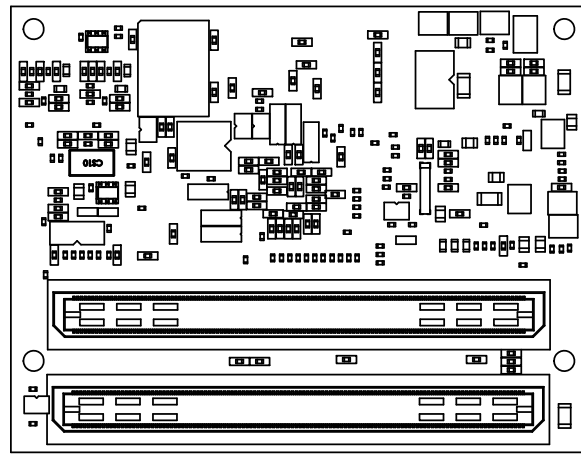
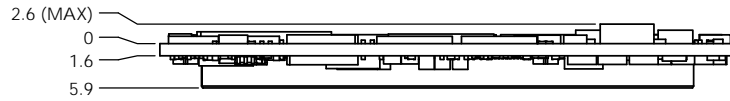
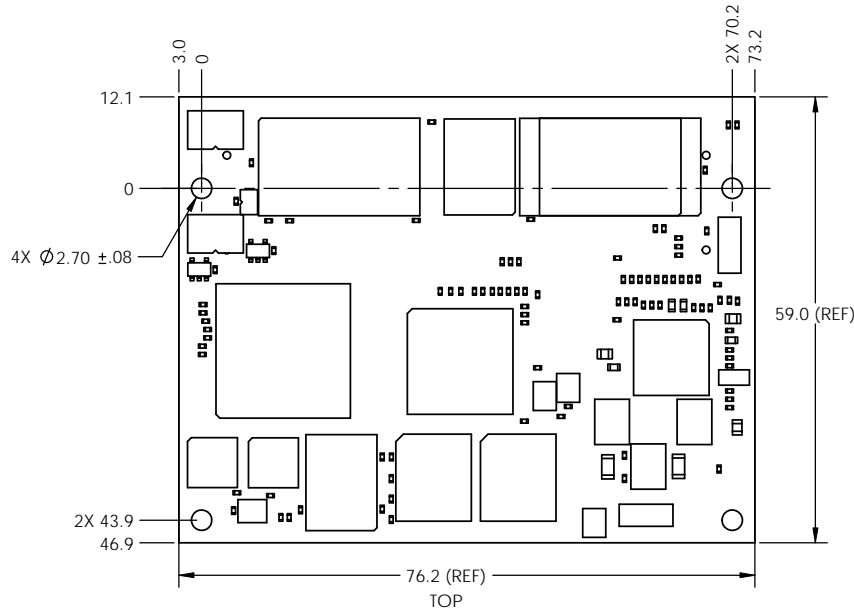
The SOM-LV form factor exists in three different sizes: Type I, Type II, and Type III. All three Types use the same expansion connectors and have the same length and maximum height. Provided the baseboard design takes into consideration locations for the mounting holes on all three Types, there should be no mechanical repercussions to substituting one Type for another.

The following pages provide drawings for the different SOM-LV Types as represented by current Logic products.

- The SOM-LV Type I form factor is represented by the standard i.MX31 SOM-LV product.
- The SOM-LV Type II form factor is represented by the standard i.MX27 SOM-LV product.
- The SOM-LV Type III form factor is represented by the standard OMAP35x SOM-LV product.
- The baseboard SOM-LV form factor footprint drawing demonstrates how a design can accommodate all three Types of the SOM-LV form factor. The important points of distinction are the different mounting hole locations and the overall layout space that results from the varying sizes of the SOM-LV Types.

3.3.1 SOM-LV Type I Mechanical Drawings

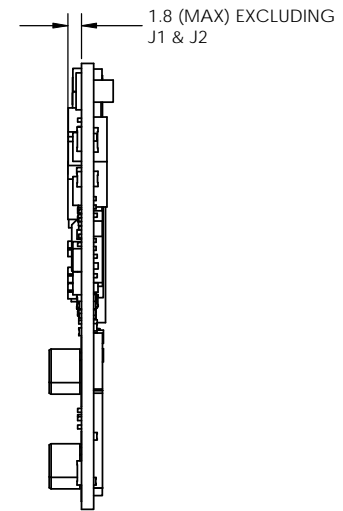
REVISIONS			
REV.	ECO NUMBER	DESCRIPTION	DATE
A	-	INITIAL RELEASE	07.30.08
B	-	UPDATED FOOTPRINT DIMENSIONING SCHEME	3.19.09



BOTTOM

NOTES:

1. WITHIN LAYOUT AREA OF SOM-LV MAXIMUM COMPONENT HEIGHT ON APPLICATION BASEBOARD IS 1.0 MM
2. BASEBOARD CONNECTOR SPECIFICATION: SAMTEC BSH-120-01-L-D-A
3. DO NOT SCALE DRAWING



THIS DRAWING PREPARED IN ACCORDANCE WITH ASME Y14.5-2000

ALL DIMENSIONS ARE IN MILLIMETERS UNLESS OTHERWISE SPECIFIED

TOLERANCES UNLESS OTHERWISE SPECIFIED

X	± 0.5
X.X	± 0.2
X.XX	± 0.1
X"	± 1"

ENG	DATE
MHC	07.30.08
CHECK	DATE
KAG	07.30.08
DESIGN	DATE
PMH	07.30.08
DATE	

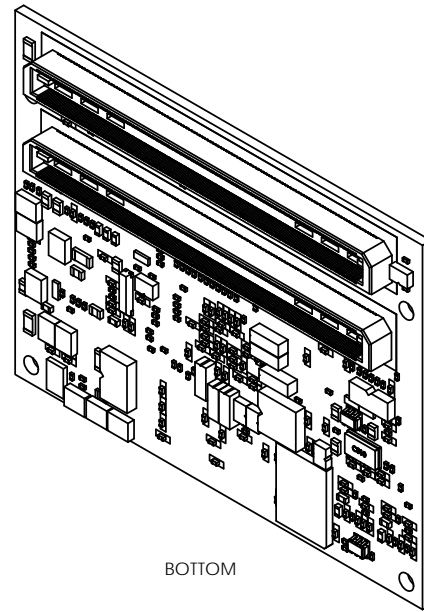


411 N. Washington Ave., Suite 400 Minneapolis, MN 55401
T: 612.872.9400 F: 612.872.9400 I: www.logicpd.com

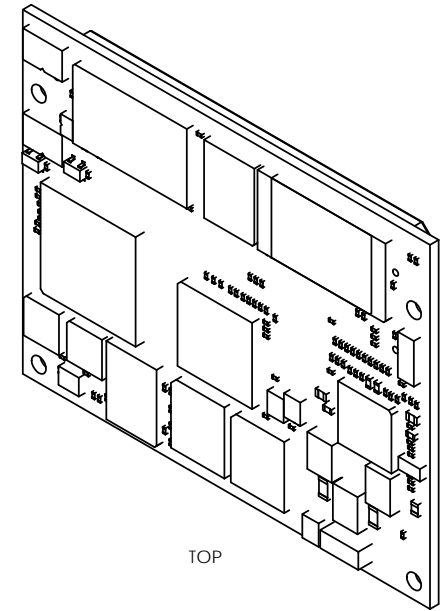
SIZE	C
SCALE	2:1

TITLE	i. MX31 SOM-LV
DWG NO	1010496

REV	B
SHEET	1 OF 2

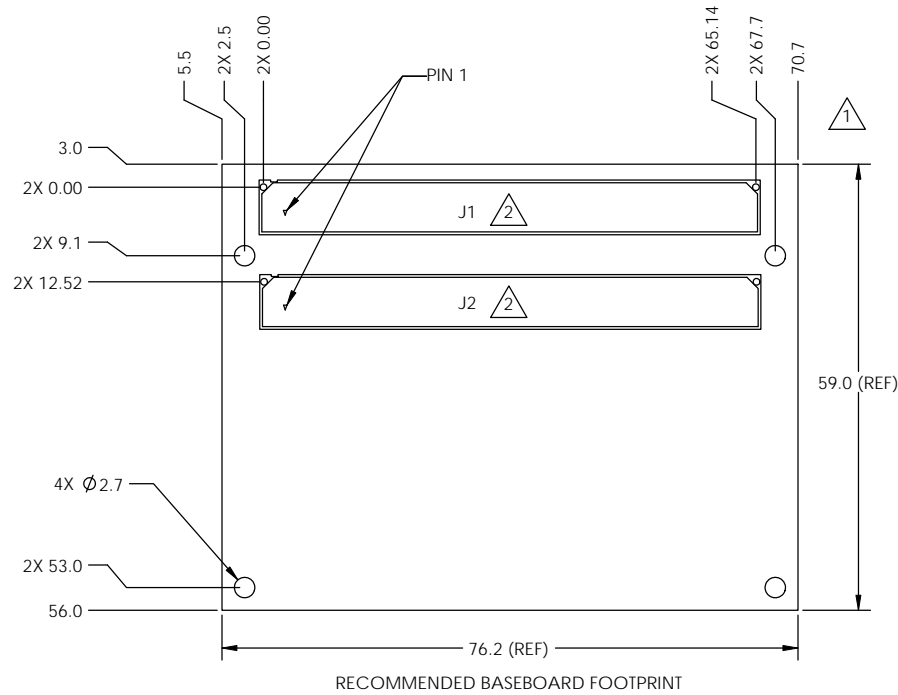


BOTTOM



TOP

ISOMETRIC VIEWS
FOR REFERENCE ONLY

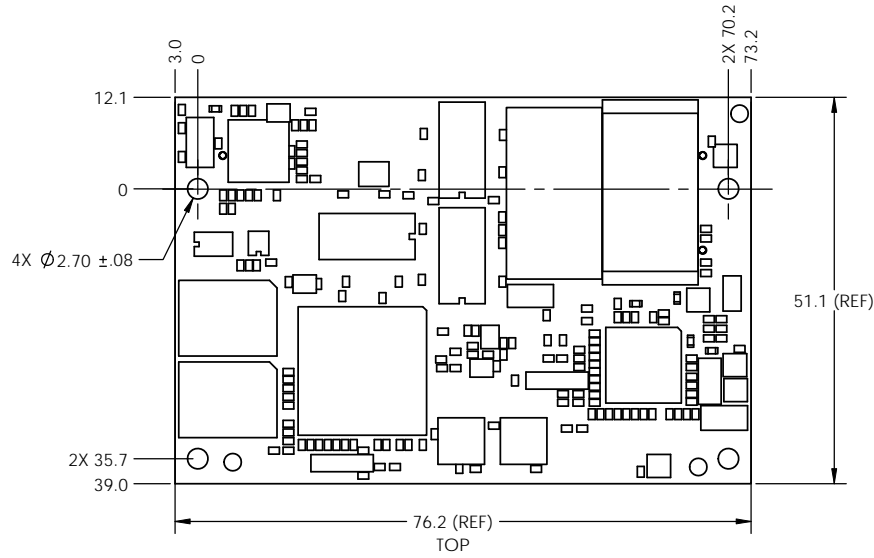


RECOMMENDED BASEBOARD FOOTPRINT

SIZE C	TITLE i.MX31 SOM-LV	REV B
SCALE 2:1	DMG NO 1010496	SHEET 2 OF 2

3.3.2 SOM-LV Type II Mechanical Drawings

REVISIONS		
REV.	ECO NUMBER	DESCRIPTION
A	-	INITIAL RELEASE
B	-	UPDATED FOOTPRINT DIMENSIONING SCHEME



NOTES:

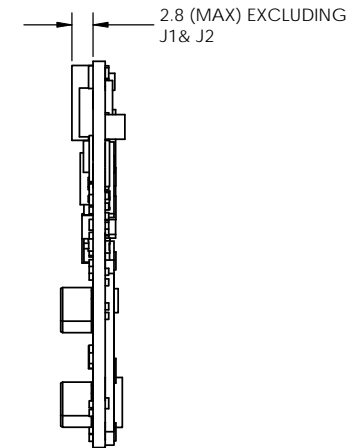
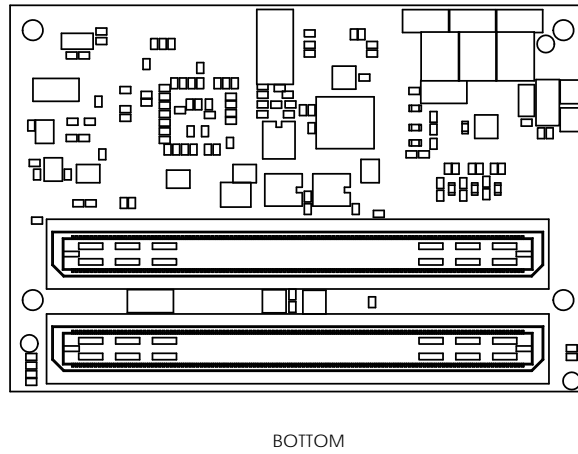
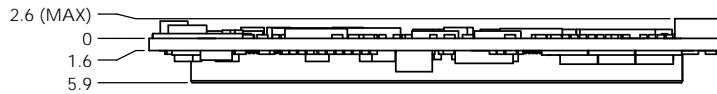
1. WITHIN LAYOUT AREA OF SOM-LV
MAXIMUM COMPONENT HEIGHT ON
APPLICATION BASEBOARD IS 1.0 MM



2. BASEBOARD CONNECTOR SPECIFICATION:
SAMTEC BSH-120-01-L-D-A

3.

DO NOT SCALE DRAWING



THIS DRAWING PREPARED
IN ACCORDANCE WITH
ASME Y14.5-2000

ALL DIMENSIONS
ARE IN MILLIMETERS
UNLESS OTHERWISE
SPECIFIED

TOLERANCES UNLESS
OTHERWISE SPECIFIED
X ± 0.5
X.X ± 0.2
X.XX ± 0.1
X' ± 1"

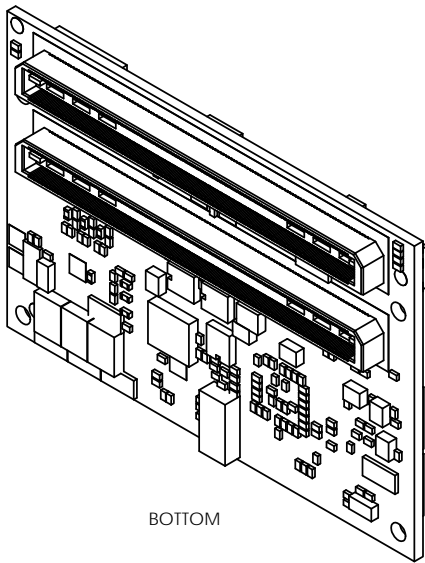


ENG	DATE
MHC	07.30.08
CHECK	DATE
KAG	07.30.08
MRG	DATE
PMH	07.30.08
DATE	-

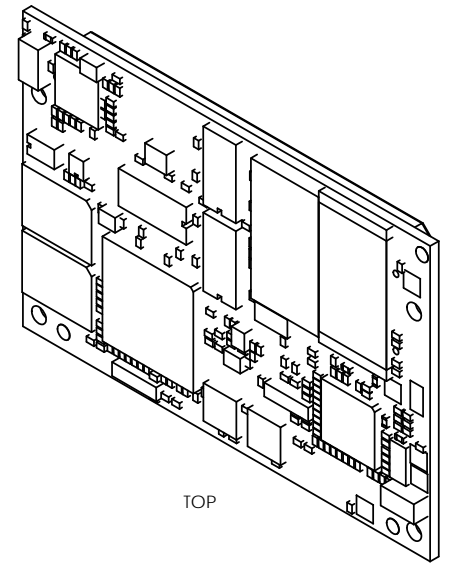
LOGIC
411 N. Washington Ave, Suite 400 Minneapolis, MN 55401
T: 612.872.9488 F: 612.872.9489 I: www.logicpd.com

SIZE	C
SCALE	2:1

TITLE	REV
i.MX27 SOM-LV	B
DWG NO	SHEET
1010497	1 OF 2

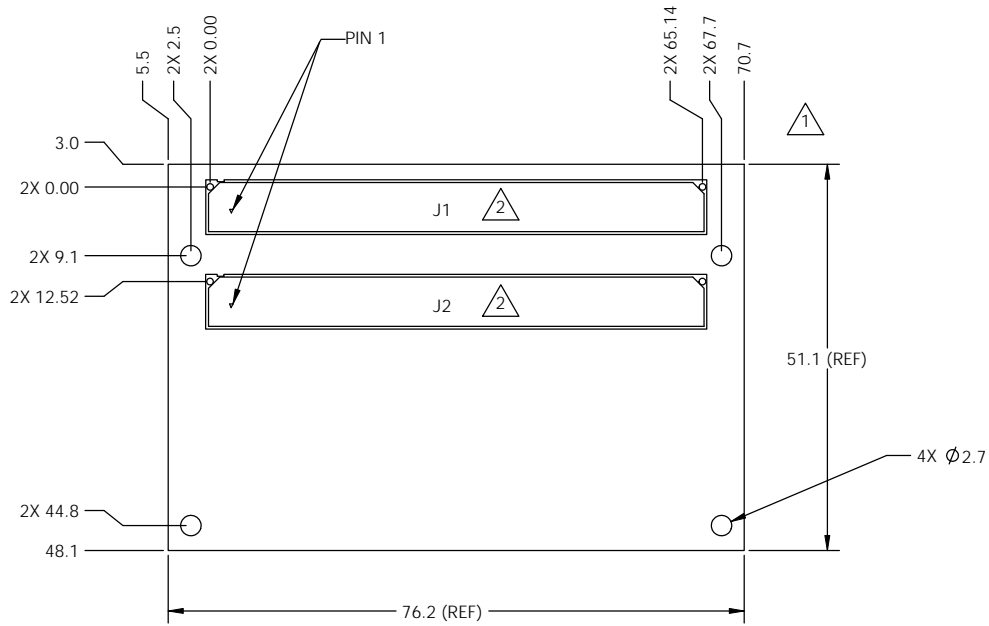


BOTTOM



TOP

ISOMETRIC VIEWS
FOR REFERENCE ONLY

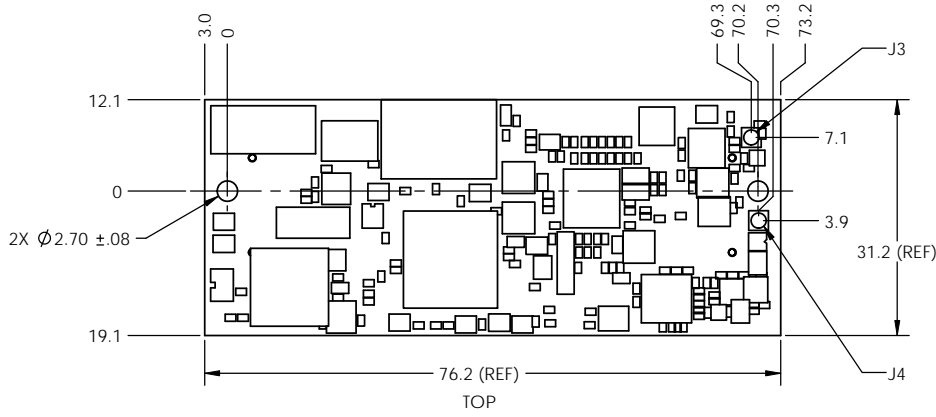


RECOMMENDED BASEBOARD FOOTPRINT

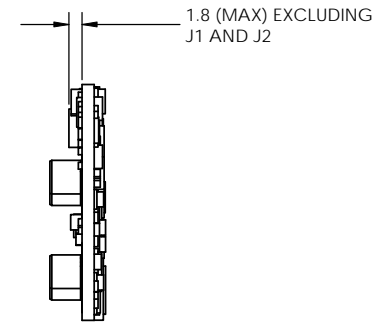
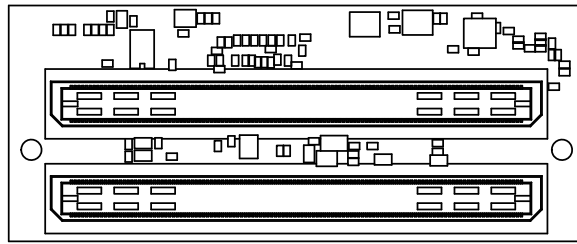
SIZE C	TITLE i.MX27 SOM-LV	REV B
SCALE 2:1	DMG NO 1010497	SHEET 2 OF 2

3.3.3 SOM-LV Type III Mechanical Drawings

REV.		ECO NUMBER	REVISIONS	DESCRIPTION	DATE
A	-	-	-	INITIAL RELEASE	07.30.08
B	-	-	-	UPDATED FOOTPRINT DIMENSIONING SCHEME	3.19.09



- NOTES:
1. WITHIN LAYOUT AREA OF SOM-LV, MAXIMUM COMPONENT HEIGHT ON APPLICATION BASEBOARD IS 1.0 MM
 2. BASEBOARD CONNECTOR SPECIFICATION: SAMTEC BSH-120-01-L-D-A
 3. DO NOT SCALE DRAWING



THIS DRAWING PREPARED IN ACCORDANCE WITH ASME Y14.5-2000

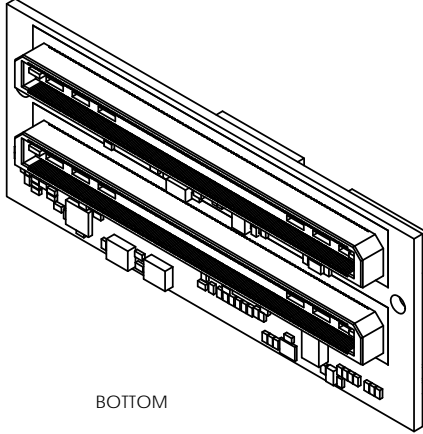
ALL DIMENSIONS ARE IN MILLIMETERS UNLESS OTHERWISE SPECIFIED

TOLERANCES UNLESS OTHERWISE SPECIFIED

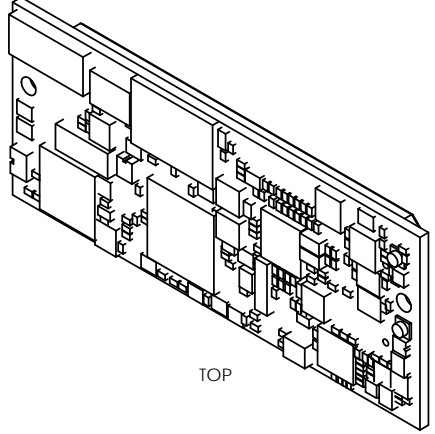
X	± 0.5
X.X	± 0.2
X.XX	± 0.1
X'	$\pm 1'$



ENG MHC	DATE 07.30.08	<p>411 N. Washington Ave, Suite 400 Minneapolis, MN 55401 T: 612.872.9488 F: 612.872.9489 I: www.logicpd.com</p>	SIZE C	TITLE OMAP 3 SOM-LV	REV B
CHECK KAG	DATE 07.30.08		SCALE	DWG NO 1010498	SHEET 1 OF 2
MRG PMH	DATE 07.30.08				
DATE -	DATE -				

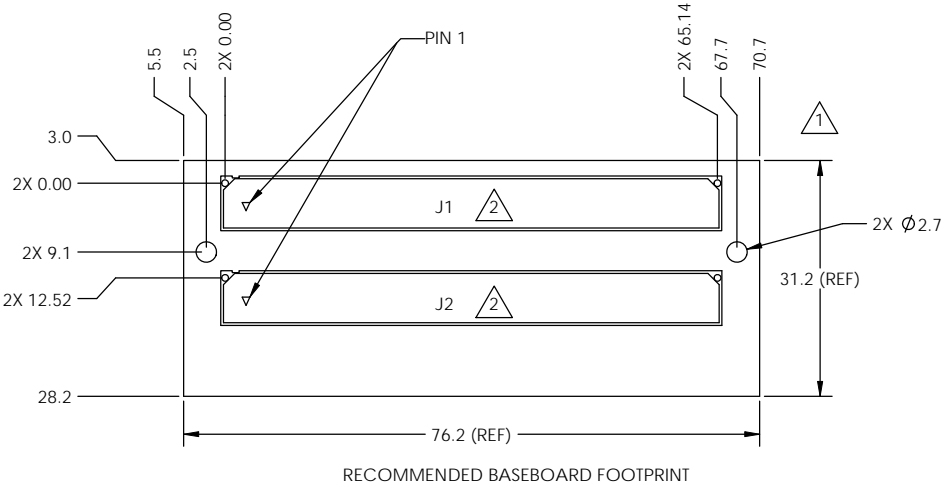


BOTTOM



TOP

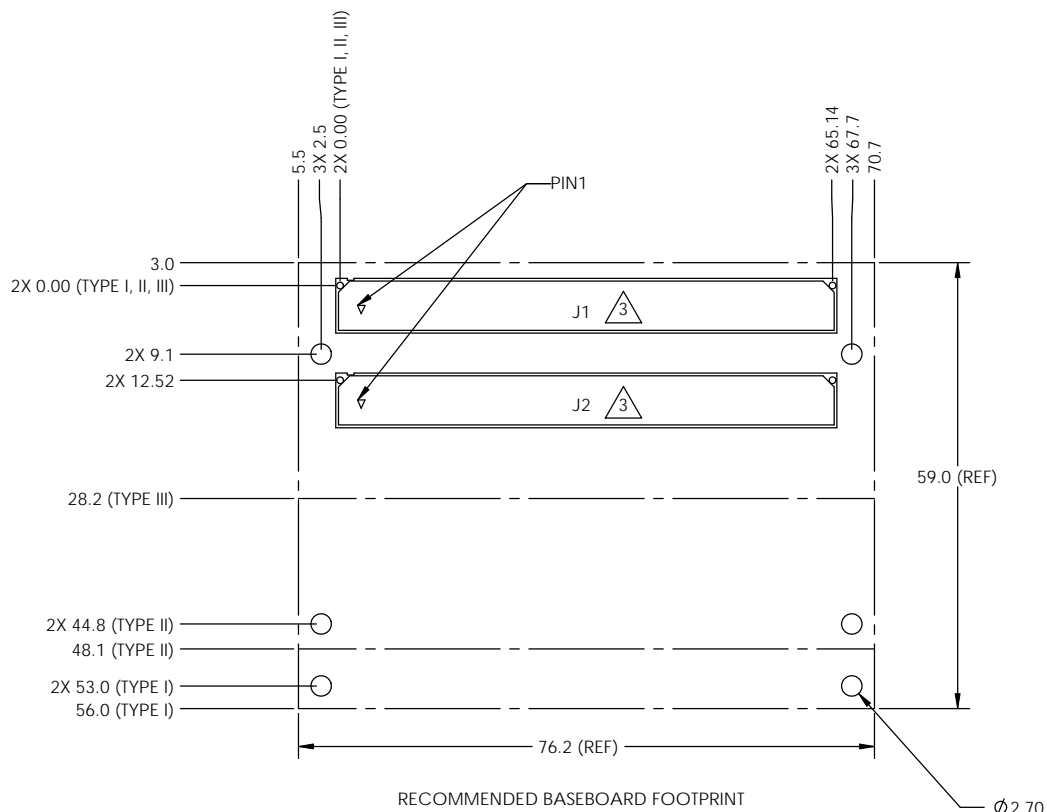
ISOMETRIC VIEWS
FOR REFERENCE ONLY



SIZE C	TITLE OMAP 3 SOM-LV	REV B
SCALE 2:1	DMG NO 1010498	SHEET 2 OF 2

3.3.4 Recommended Baseboard PCB Layout

REVISIONS		
REV.	ECO NUMBER	DESCRIPTION
A	-	INITIAL RELEASE
B	-	UPDATED DIMENSIONING SCHEME



- NOTES:
1. WITHIN LAYOUT AREA OF SOM-LV, MAXIMUM COMPONENT HEIGHT ON APPLICATION BASEBOARD IS 1.0 MM
 2. SOM-LV TYPE III USES ONLY TWO HOLES
 3. BASEBOARD CONNECTOR SPECIFICATION: SAMTEC BSH-120-01-L-D-A
 4. DO NOT SCALE DRAWING

THIS DRAWING PREPARED IN ACCORDANCE WITH ASME Y14.5-2000

ALL DIMENSIONS ARE IN MILLIMETERS UNLESS OTHERWISE SPECIFIED

TOLERANCES UNLESS OTHERWISE SPECIFIED

X ± 0.5
 X.X ± 0.2
 X.XX ± 0.1
 X' ± 1"

ENG KAG CHECK	DATE 08_07_08 DATE	<p>411 N. Washington Ave, Suite 400 Minneapolis, MN 55401 T: 612.872.9488 F: 612.872.9489 I: www.logicpd.com</p>	SIZE C	TITLE SOM-LV Form Factor Footprint	REV B
JPS ICR	DATE 08_07_08 DATE		SCALE	DWG NO	SHEET
PMH	DATE 08_07_08 DATE		2:1	1010581	1 OF 1
DATE	DATE				