

NOTES:

1. MATERIALS AND FINISHES:

BODY - BRASS, GOLD PLATING  
 CONTACT - BRASS, GOLD PLATING  
 INSULATOR - PEEK

2. ELECTRICAL:

- A. IMPEDANCE: 50 OHM
- B. FREQUENCY RANGE: DC-10 GHz
- C. RETURN LOSS: 30 dB MIN. @ DC-4 GHz  
 25 dB MIN. @ 4-6 GHz
- D. INSERTION LOSS:  $0.03X\sqrt{f(\text{GHz})}$  dB MAX.
- E. INSULATION RESISTANCE:  $5\text{ G}\Omega$  MIN.
- F. DIELECTRIC WITHSTANDING VOLTAGE: 1000 VRMS MIN.
- G. POWER HANDLING: 200 W MAX. @ 2.2 GHz AT 20°C, SEA LEVEL, VSWR 1.0
- H. INTERMODULATION(3rd order): 160 dBc MIN. @ (2X43dBm)

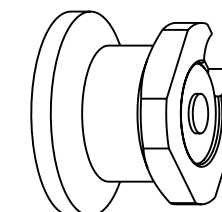
3. MECHANICAL:

- A. MATING CYCLES: 1000 MIN.
- B. ENGAGEMENT FORCE: 10 N MAX
- C. DISENGAGEMENT FORCE: 2.2 N MIN
- D. INNER CONTACT RETENTION FORCE: 7 N MIN
- E. TEMPERATURE RANGE: -65° C TO 165° C

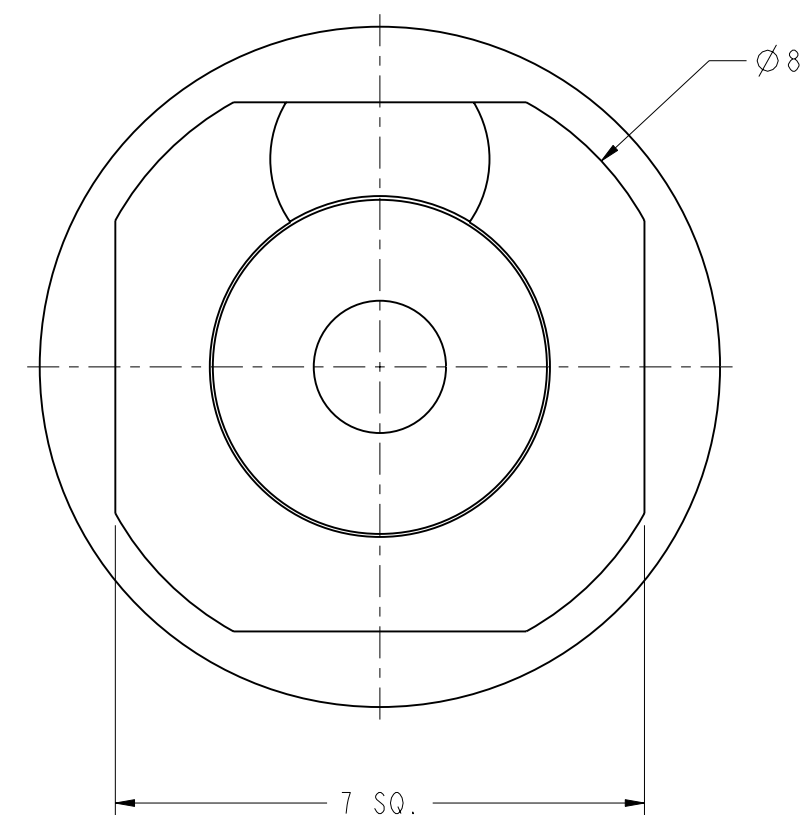
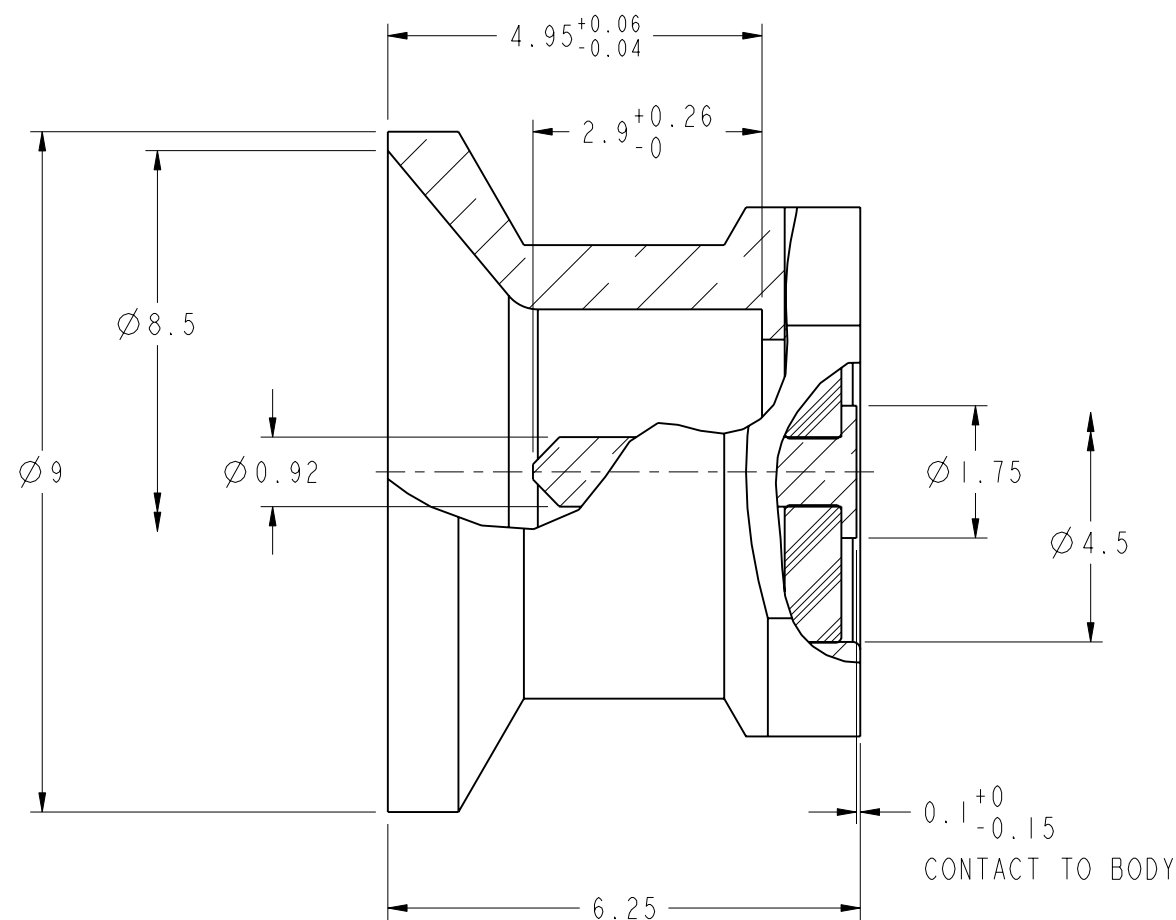
THIRD ANGLE PROJ.

REVISIONS

REV	DESCRIPTION	DATE	ECO	APPR
A	RELEASE TO MFG	25-Aug-15		SW
B	TITLE WAS CHANGED, ADDED PART NO. PSMP-MSSB-PCS	19-Nov-15	50842	SW



SCALE 3.000



**CUSTOMER OUTLINE DRAWING**

ALL OTHER SHEETS ARE FOR INTERNAL USE ONLY

UNLESS OTHERWISE SPECIFIED, DIMENSIONS ARE IN METRIC AND TOLERANCES ARE: <0.5mm ±0.05mm    0.5 - 6mm ±0.1mm    6 - 30mm ±0.2mm    30 - 120mm ±0.3mm    ANGLES ±1°	MATERIAL	DRAWN STAMN	DATE 20-Nov-15	TITLE POWER-SMP, MALE FOR PCB SMOOTH BORE	Amphenol RF Danbury CT USA, Tainan, Taiwan, Shenzhen, China www.amphenolrf.com
	NOTICE - These drawings, specifications, or other data (1) are, and remain the property of Amphenol corp. (2) must be returned upon request; and (3) are confidential and not to be disclosed to any person other than those to whom they are given by Amphenol Corp. the finishing of these drawings, specifications, or other data by Amphenol Corp., or to any other person to anyone for any purpose is not to be regarded by implication or otherwise in any manner licensing, granting rights to permitting such holder or any other person to manufacture, use or sell any product, process or design, patented or otherwise, that may in any way be related to or disclosed by said drawings, specifications, or other data.	REFERENCE EAR 6570 119S14R-40ML5	ENGINEER RICKSON		
	FINISH	APPROVED S. HSIEH	DATE 20-Nov-15	SCALE: 10.0:1.0   SHEET 2 OF 2	ITEM NO. 671251ABSA12C5F
		CAD FILE I:\PSMP\PSMP1251B1-003-8GPAP8GPA-50		DWG SIZE B	REV B
					PART NO. PSMP-MSSB-PCS